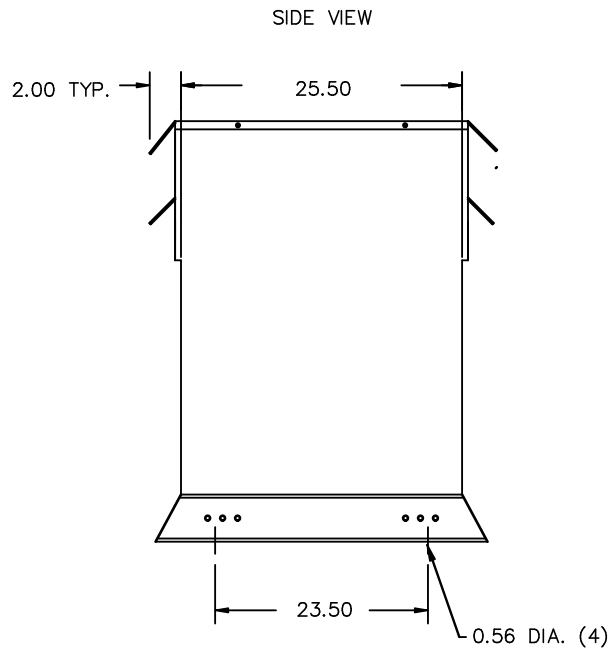


All Dimensions in inches

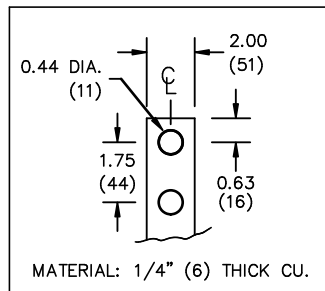


ENCLOSURE COLOR :316 STAINLESS STEEL FINISH #3 POLISH

H.V.1. TERMINAL DETAIL

L.V.1. TERMINAL DETAIL

MECHANICAL TYPE LUGS INCLUDED
SUITABLE FOR 350MCM-6 CU/AL
CONDUCTORS
1 CONDUCTOR PER PHASE



CUSTOMER NOTES:

- HV1 TERMINATED AT BOTTOM FRONT
- LV1 TERMINATED AT TOP FRONT



TITLE: 3PH DISTRIBUTION TRANSFORMER			
			DES: PPICASSI
			DATE: 16/02/12
NO.	DATE	BY	REVISION
			SCALE: NTS

SHEET 2 OF 2

EDB 3B5Y150CD16SS