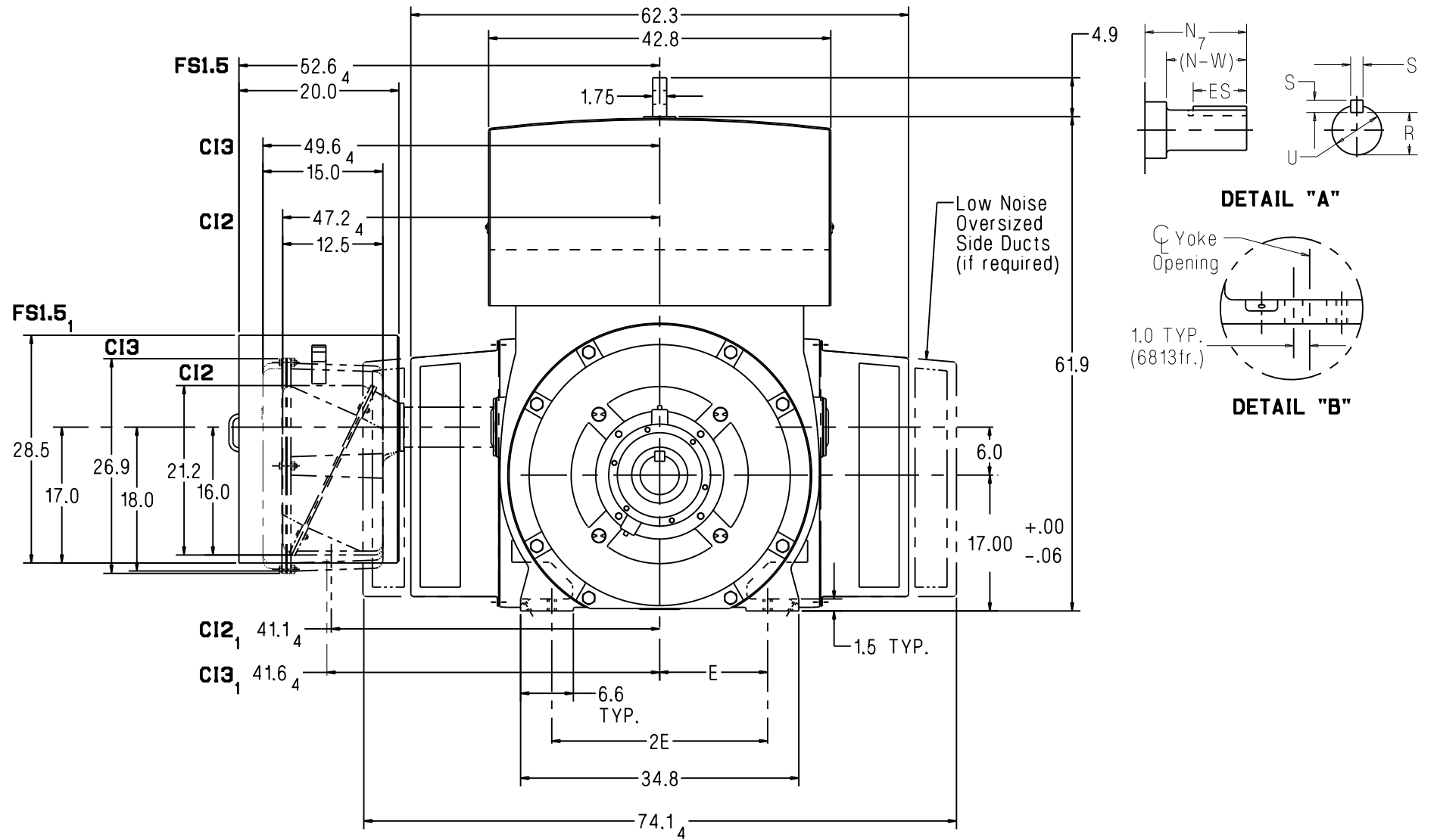
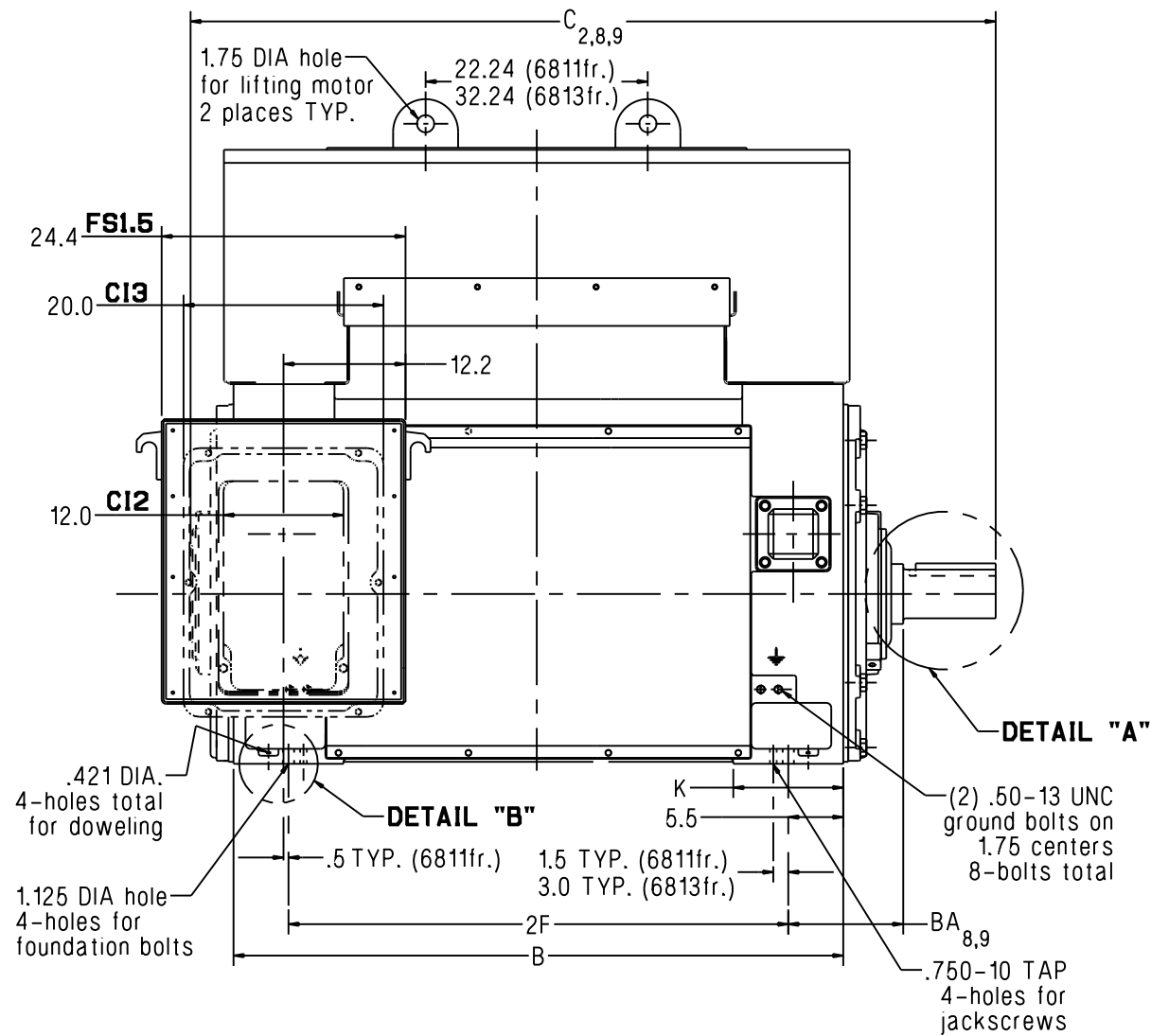


Dimension Prints for Above NEMA Motors



Notes:

- Main conduit box may be rotated in steps of 90°. A removable bottom plate is supplied on the FS1.5 conduit box. A 5.0 N.P.T. is supplied on the CI2 and CI3 conduit boxes. A 12.0" spacer is supplied on both frames for all rotatable conduit boxes.
- C = Length of motor from drive end of shaft to end of non-drive end of motor.
- V = (N-W)-0.25" = length of shaft available for coupling.
- Adding the low noise oversized side duct increases the spacer by 6.0" for all rotatable conduit boxes. All associated conduit box dimensions will change accordingly.
- Shims may be necessary under motor feet for direct connection.
- Short shaft is for direct connection.
- Adding a rotating labyrinth seal to the drive end decreases N by: 4 Pole: 0.40"
- Adding a ground brush increases BA and C by: 4 Pole: 2.50"
- Adding a ground brush with rotating labyrinth seal increases BA & C by: 4 Pole: 2.75"

Standard Dimensions in Inches

Shaft	Frame	Speed	B	BA _{8,9}	C _{2,8,9}	E	2F	K	N ₇	(N-W)	R	S	U	V ₃	ES	Approx. Ship Wt. (Lbs)
Short	6811	4 Pole	61.0	11.50	80.6	13.50	50.0	11.0	10.45	9.25	4.169	1.250	4.875	9.00	8.0	12000
Short	6813	4 Pole	74.0	11.50	93.6	13.50	63.0	12.5	10.45	9.25	4.169	1.250	4.875	9.00	8.0	14700

Certification: Customer _____ P.O. _____ S.O. _____ Item _____
 HP _____ RPM _____ Frame _____ PH/HZ/Volts 3/_____/_____
 By _____ Date _____ Terminal Box Size CI2 CI3 FS1.5
 Comments _____
 Not for construction, installation or application purposes unless certified.