

SPT1 Features and Ratings

- Type 1 Indoor Enclosure
- 1200A Max, 1 Phase, 3 Wire ; 120/240V AC Max.
- 100,000A Max. Short Circuit Current Rating
- Width expands 7" for variable adjustment for space required when connecting modules
- (1) QuickConnect™ Included
- Mounting Bracket Included

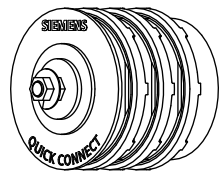


Additional Modules

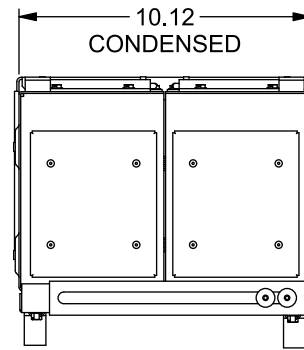
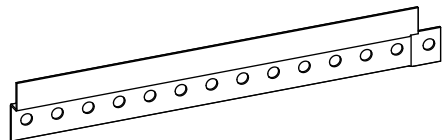
FOR USE WITH:	
Module Description	Siemens Series#
Main Breakers	WB(M), WEB(M), WXB(M), BFT(M)
Switches	WMP, WS, WES, WXS
Tap/Terminal Boxes	WTB, WET, WT_PU, WTBN, WBT(M)
Pull Boxes	WMMB
Meter Module	(W)MM, (W)MT, (W)ML, (W)MK, (W)MLZ(F), (W)MN
Meter Combinations	WC, WCL, WCT,
Extension Box	WSP, WSPD, SPT
Bussed Elbow	BE, (W)ELB, ELBT

Connect Modules Using:	Catalog Number / Torque
QuickConnect	QC1, Torque 400-440 lb-in (35-36 ft.-lb.)

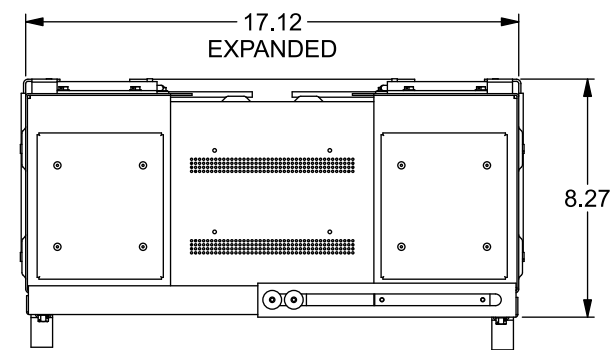
QuickConnect™ Included



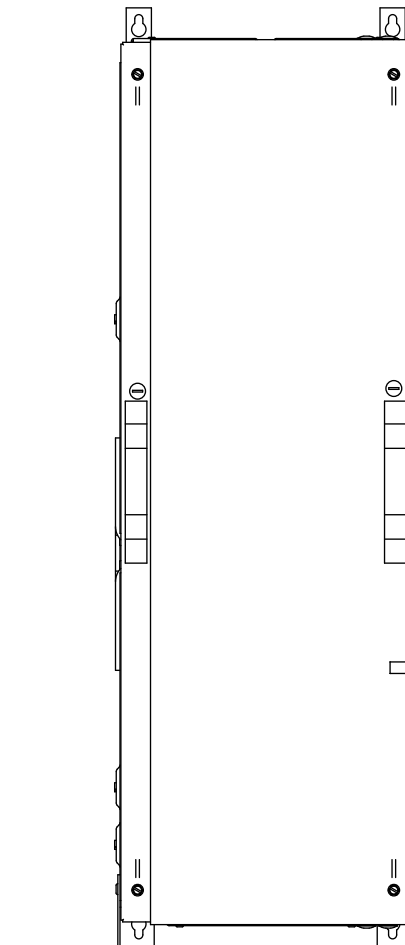
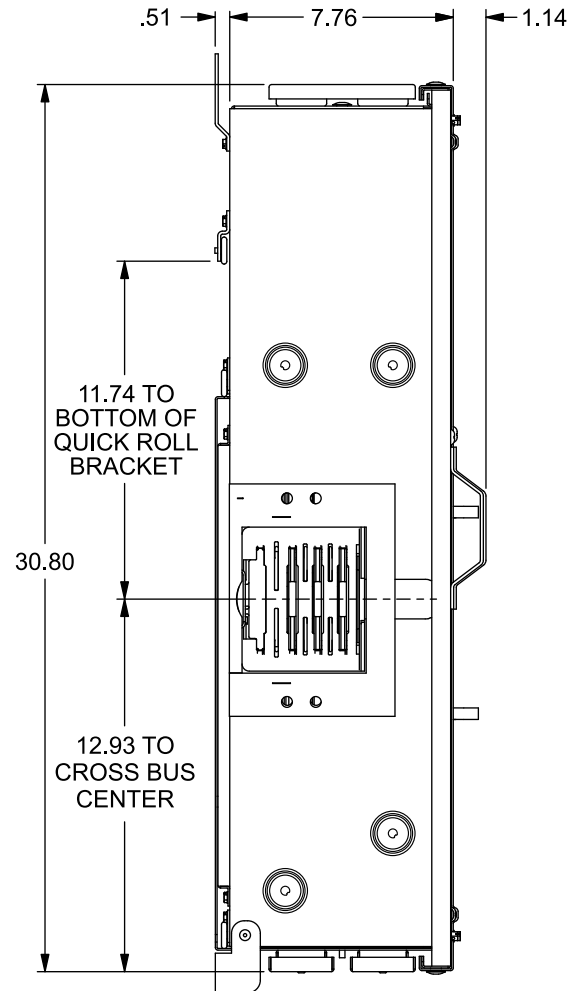
Wall Mounting Bracket Included



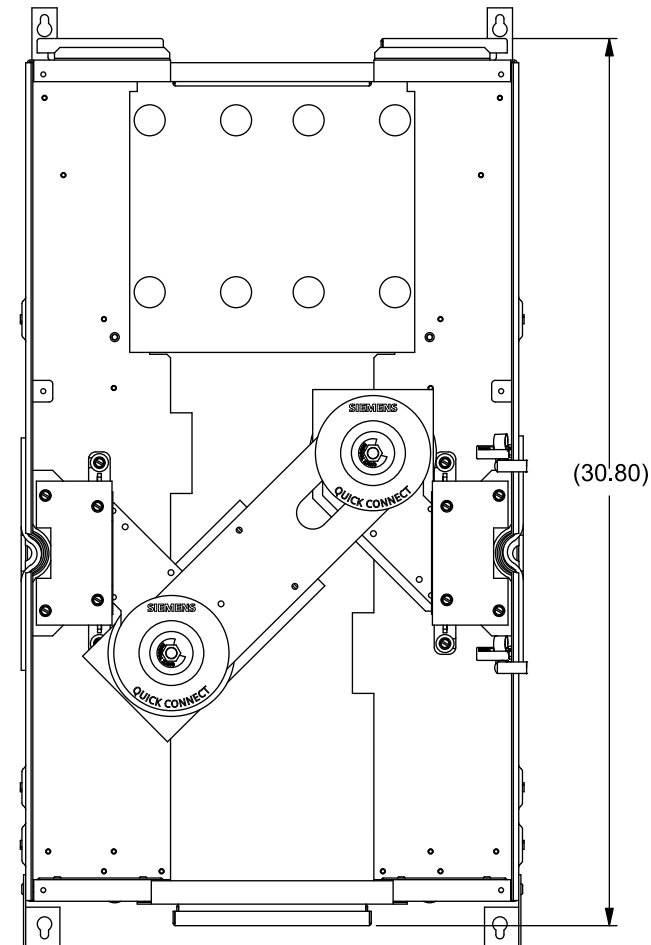
VIEWS SHOWN IN COMPRESSED FORM



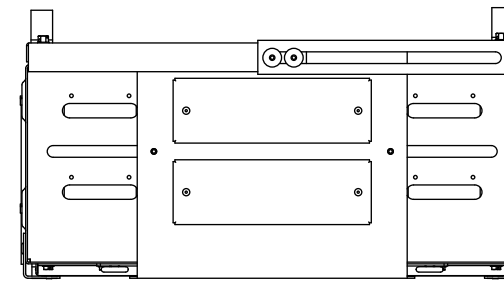
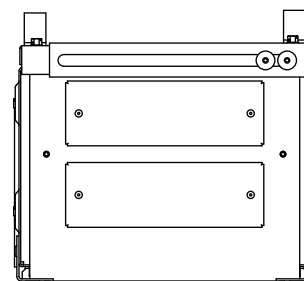
VIEWS SHOWN IN EXPANDED FORM



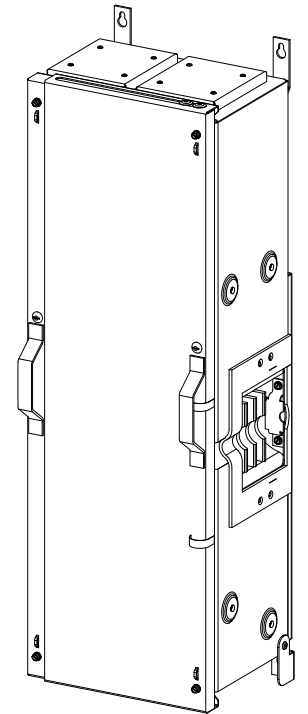
MOUNTING EARS ROTATE



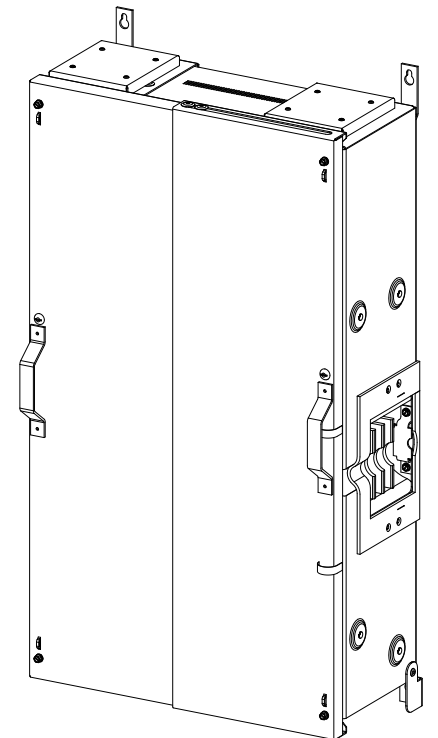
THIS VIEW SHOWN WITH COVERS REMOVED



Compressed View



Expanded View



© 2020 Copyright Siemens Industry, Inc.

SIEMENS
Siemens Industry, Inc.

PowerMod™ Modules/Accessories

Description: **Expandable Spacer, 1 Phase, 1200A Max., 10-17"**

KAM 5/1/20 DO NOT SCALE DRAWING Dwg No: **SPT1**