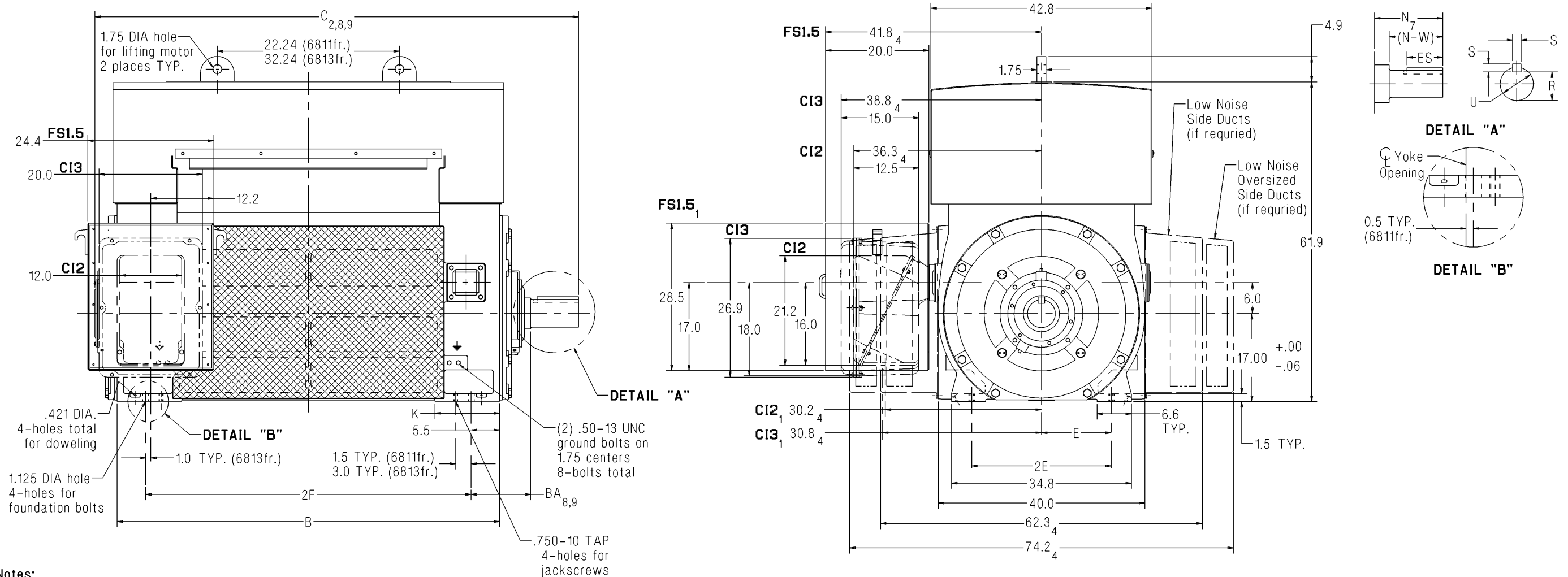


SIEMENS

Dimension Prints for Above NEMA Motors

Type CG – Horizontal – Open Drip Proof / Weather Protected Type I
 Anti-Friction Bearing – Direct Connected
 Frames 6811 / 6813 – 6 Pole & Slower – Rotatable Main Conduit Box



Notes:

1. Main conduit box may be rotated in steps of 90°. A removable bottom plate is supplied on the FS1.5 conduit box. A 5.0 N.P.T. is supplied on the C12 and C13 conduit boxes.
2. C = Length of motor from drive end of shaft to end of non-drive end of motor.
3. V = (N-W)-0.25" = length of shaft available for coupling.
4. Adding the low noise side ducts requires a 12.0" spacer on both frames for all rotatable conduit boxes. Please note that the 1.125" adapter, already shown, will not be provided. Adding the low noise oversized side ducts requires an 18.0" spacer on both frames for all rotatable conduit boxes. Please note that the 1.125" adapter, already shown, will not be provided. All associated conduit box dimensions will change accordingly.
5. Shims may be necessary under motor feet for direct connection.
6. Short shaft is for direct connection.
7. Adding a rotating labyrinth seal to the drive end decreases N by: 6 Pole & Slower: 0.40"
8. Adding a ground brush increases BA and C by: 6 Pole & Slower: 2.50"
9. Adding a ground brush with rotating labyrinth seal increases BA and C by: 6 Pole & Slower: 2.75"

Standard Dimensions in Inches

Shaft	Frame	Speed	B	BA _{8,9}	C _{2,8,9}	E	2F	K	N ₇	(N-W)	R	S	U	V ₃	ES	Approx. Ship Wt. (Lbs)
Short	6811	6 Pole & Slower	61.0	11.50	80.6	13.50	50.0	11.0	10.45	9.25	4.169	1.250	5.375	9.00	8.0	12000
Short	6813	6 Pole & Slower	74.0	11.50	93.6	13.50	63.0	12.5	10.45	9.25	4.169	1.250	5.375	9.00	8.00	14700

Certification: Customer _____ P.O. _____ S.O. _____ Item _____
 HP _____ RPM _____ Frame _____ PH/HZ/Volts 3/_____/_____
 By _____ Date _____ Terminal Box Size C12 C13 FS1.5
 Comments _____
 Not for construction, installation or application purposes unless certified.

CG_680_6plusPL_AF_ROT
 Revision 02
 01/21/09