

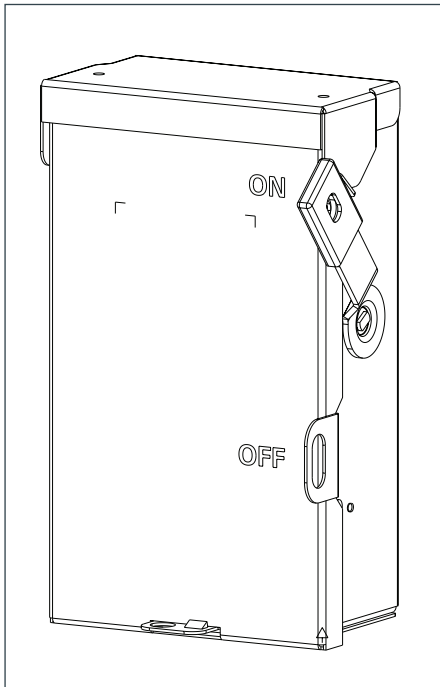
# SIEMENS

Data Sheet

## VBI General Duty Safety Switch

60A, 240V, Type 3R, Non-fusible

[usa.siemens.com/switches](http://usa.siemens.com/switches)



### Standards and Ratings

- UL Listed under file #E4776
- Meets UL98 for switches and UL 50 for enclosures
- Meets NEMA Standard KS-1 for enclosed switches
- Meets NEC wire bending space requirements
- Suitable for use as service entrance equipment
- Meets 2020 NEC 230.62 with addition of line side barrier kit (listed as accessory below)

### Features

- Rated 10,000 AIC with Class K fuses or H fuses or rated 100,000 AIC with Class R fuses
- Quick-make and break switching action
- Double break visible blade design

# Product Specifications

## General Duty 60A, 240V, Type 3R, Non-fusible

### General Information

Catalog Number	Description	Shipping Weight (lbs.) (std. package qty.)
LNF222RA	General Duty Enclosed Switch	30 (10)
LNF222RAU	General Duty Enclosed Switch Retail Version	3 (1)

### Horsepower Ratings

250V DC	1 Phase, 240V AC
10	10

### Mechanical Lug Wire Range <sup>1</sup>

Description	Wire Range with Wire Bending Space per NEC <sup>®</sup> requirements	Lug Wire Range
Line and Load Terminals	14 - 6 AWG	14 - 2 AWG

### Accessories and Hub Kits

Catalog Number	Description
HG61234 <sup>1</sup>	Ground Lug Kit 30-200A
HN22A	Neutral Kit 60A
HSK21BA <sup>3</sup>	Line Side Barrier Kit

### Wire Torque Information

Application	Wire Size	Nominal Torque
Mechanical Lug Wire Connector <sup>2</sup>	14 - 10 AWG	35 lb.-in.
	8 AWG	40 lb.-in.
	6 AWG	45 lb.-in.

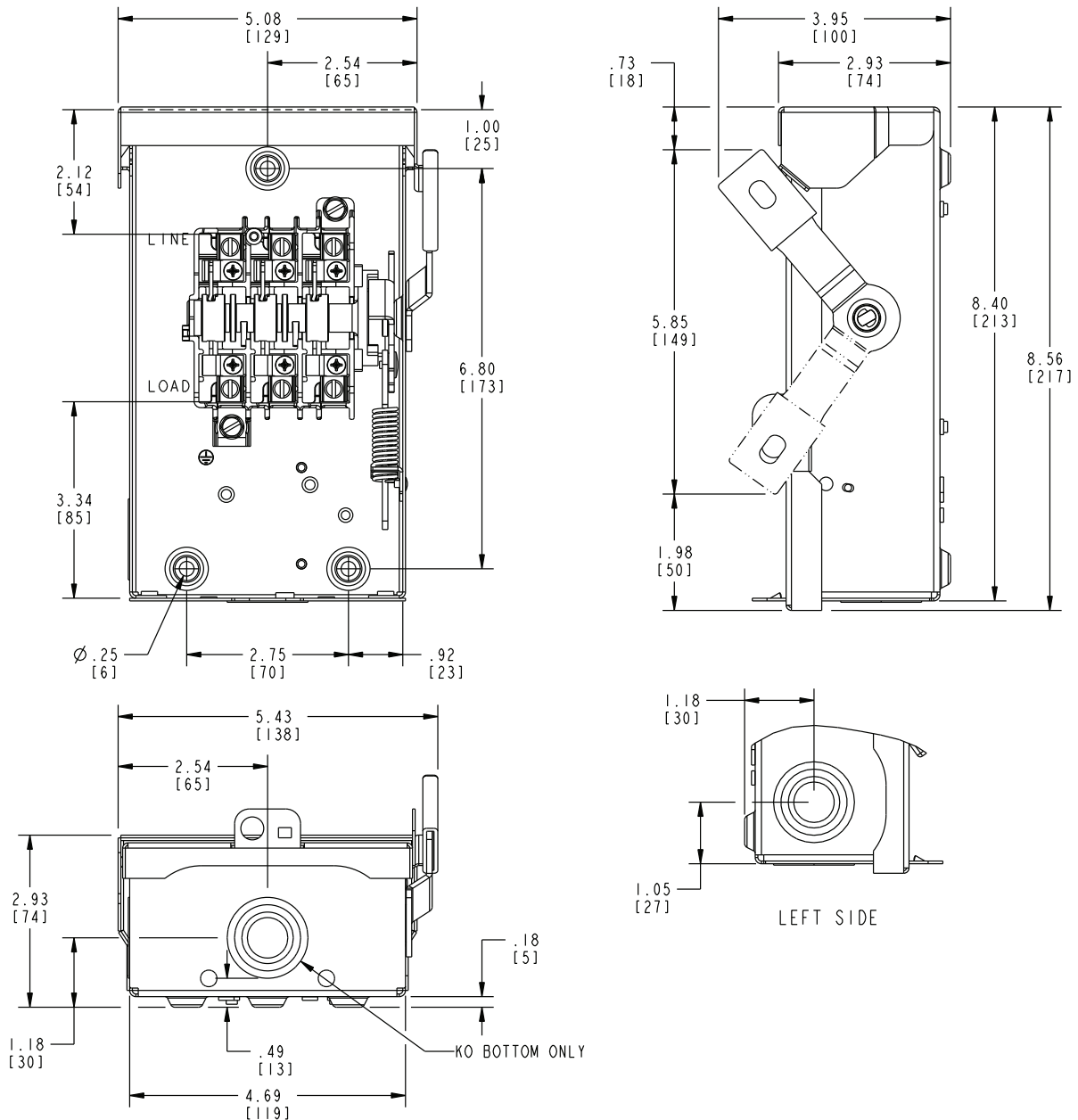
<sup>1</sup> See "Wire Torque Information" table for specific wire torque values.

<sup>2</sup> Use Cu/Al 60°/75° C Wire.

<sup>3</sup> Internal shield which meets 2020 NEC 230.62 line side barrier requirements for service entrance equipment.

# Dimension Drawings

## General Duty 60A, 240V, Type 3R, Fusible



Dimensions shown in inches and millimeters ( ).  
Dimension shown accurate to ± 1/8 inch.

KNOCKOUT CODE	CONDUIT SIZE		
	.50	.75	1.00
Concentric			

LINE SIDE WIRE BEND	LOAD SIDE WIRE BEND
2.0 (51)	3.25 (83)

Enclosure: Galvanized Steel  
.045" Thick  
Finish: ANSI Grey #61 Paint

Published by  
**Siemens Industry, Inc. 2021.**

Siemens Industry, Inc.  
3617 Parkway Ln  
Peachtree Corners, GA 30092

For more information, please contact our Customer Support Center.  
Phone: 1-800-241-4453  
E-mail: info.us@siemens.com

[usa.siemens.com/switches](http://usa.siemens.com/switches)

Order No.: SSFL-LN632-0821  
Printed in U.S.A.  
© 2021 Siemens Industry, Inc.

The technical data presented in this document is based on an actual case or on as-designed parameters, and therefore should not be relied upon for any specific application and does not constitute a performance guarantee for any projects. Actual results are dependent on variable conditions. Accordingly, Siemens does not make representations, warranties, or assurances as to the accuracy, currency or completeness of the content contained herein. If requested, we will provide specific technical data or specifications with respect to any customer's particular applications. Our company is constantly involved in engineering and development. For that reason, we reserve the right to modify, at any time, the technology and product specifications contained herein.