

Enclosed Rotary Switch Product Specification Sheets

Table of Contents

| Catalog No. | Sheet No. | Catalog No. | Sheet No. |
|--------------------|-----------|--------------------|-----------|
| HNF3020CJ | LBR20.1 | 3LD2264-0TB53-0US2 | 3LD2.1 |
| HNF3020CJE | LBR20.1 | 3LD2264-1GP51-0US2 | 3LD2.1 |
| HNF3030CJ | LBR30.1 | 3LD2264-1GP53-0US2 | 3LD2.1 |
| HNF3030CJE | LBR30.1 | 3LD2264-1TS51-0US2 | 3LD2.1 |
| HNF3030CX | LBR30.2 | 3LD2264-1TS53-0US2 | 3LD2.1 |
| HNF3060CJ | LBR30.1 | 3LD2264-2TW51-0US2 | 3LD2.1 |
| HNF3060CJE | LBR30.1 | 3LD2264-2TW53-0US2 | 3LD2.1 |
| HNF3060CX | LBR30.2 | 3LD2565-0TB51-0US2 | 3LD2.2 |
| HNF3100CJ | LBR30.1 | 3LD2565-0TB53-0US2 | 3LD2.2 |
| HNF3100CJE | LBR30.1 | 3LD2565-1GP51-0US2 | 3LD2.2 |
| HNF3100CX | LBR30.2 | 3LD2565-1GP53-0US2 | 3LD2.2 |
| 3LD2064-0TB51-0US2 | 3LD2.1 | 3LD2766-0TB51-0US2 | 3LD2.3 |
| 3LD2064-0TB53-0US2 | 3LD2.1 | 3LD2766-0TB53-0US2 | 3LD2.3 |
| 3LD2064-1GP51-0US2 | 3LD2.1 | 3LD2766-1GP51-0US2 | 3LD2.3 |
| 3LD2064-1GP53-0US2 | 3LD2.1 | 3LD2766-1GP53-0US2 | 3LD2.3 |
| 3LD2164-0TB51-0US2 | 3LD2.1 | 3LD2866-0TB51-0US2 | 3LD2.3 |
| 3LD2164-0TB53-0US2 | 3LD2.1 | 3LD2866-0TB53-0US2 | 3LD2.3 |
| 3LD2164-1GP51-0US2 | 3LD2.1 | 3LD2866-1GP51-0US2 | 3LD2.3 |
| 3LD2164-1GP53-0US2 | 3LD2.1 | 3LD2866-1GP53-0US2 | 3LD2.3 |
| 3LD2264-0TB51-0US2 | 3LD2.1 | | |

You can extract pages from this pdf document using the following steps:

1. Find the catalog number of the switch required in the index and click on the sheet required.
2. From the top of the screen, click on **Document, Pages**, then **Extract**.
3. An Extract Pages pop-up block will appear. Select the pages required and click OK. (**From** will be the front pages, so make **To** the next page number).
4. Click on **File** at the top of the screen and then **Save As**.
5. Save on your desktop or in another file and rename the document so that you can find it again in the future.
6. Close file. If a pop-up box comes up asking if you want to save changes, select **NO**.

Siemens Energy & Automation, Inc.
3333 Old Milton Parkway
Alpharetta, GA 30005

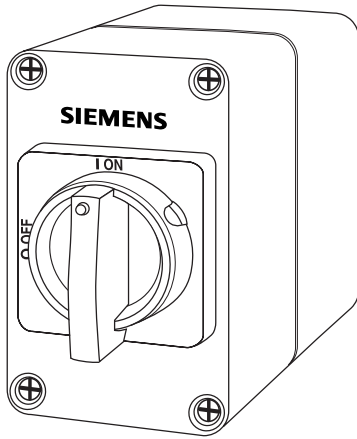
1-800-964-4114
info.sea@siemens.com

www.sea.siemens.com/power

Order No. SSSS-ENRSW-1008

©2008 Siemens Energy & Automation, Inc.
All Rights Reserved.

Siemens is a registered trademark of Siemens AG.
Product names mentioned may be trademarks or
registered trademarks of their respective companies.
Specifications are subject to change without notice.



Enclosed Rotary Disconnect Switch

20 Amp, Type 12 Industrial and 4/4X Non-metallic Enclosures

Standards and Ratings

- UL and CUL listed under file #E191706
- Meets UL508 for manual motor controllers
- Listed and marked "suitable as motor disconnect"
- Fiberglass reinforced polycarbonate enclosure which is UL and CUL approved as Type 12, 4 and 4X for either indoor or outdoor use ²
- Rated 10,000 AIC at 480V AC max when protected by line side 30A max Class H, K or RK5 fuses
- IEC60947-3 rated and CE marked (lth 32A)

| Rating Ue/V | 415V | 500V | 690V |
|-------------|------|------|------|
| AC22A le/A | 32 | 32 | 32 |
| AC23A le/A | 32 | 32 | 20 |

Rated for 32A gG fuse and a prospective current of 50K Arms. Enclosures rated IP65.

Features

- Compact, front-mounted design saves space and is easy to mount and wire
- Suitable for use as a group disconnect
- Enclosure can be easily drilled or punched for conduits
- General use, resistance load and ballast lamp ratings of 20A or 100% at 480V AC max

General Information

| Catalog Number | Max AC Volts | Description | Shipping Weight (lbs.) |
|---|--------------|---------------------------------|------------------------|
| Non-Fusible, Type 12 ^{1 2} with Screw Cover and Rotary Handle | | | |
| HNF3020CJ | 480 | 3-Pole with Black Handle | 1 lb. |
| HNF3020CJE | 480 | 3 Pole with Red & Yellow Handle | 1 lb. |

Horsepower Ratings

| Catalog Number | 120V AC | 240V AC | | 480V AC | |
|----------------|---------|---------|---------|---------|---------|
| | 1 Phase | 1 Phase | 3 Phase | 1 Phase | 3 Phase |
| HNF3020CJ | 3/4 | 2 | 5 | 5 | 10 |
| HNF3020CJE | 3/4 | 2 | 5 | 5 | 10 |

Replacement Parts

| Catalog Number | Description |
|----------------|---------------------------------|
| LBR3025D | Replacement Switch |
| LBRH3 | Replacement Black Handle |
| LBRH4 | Replacement Red & Yellow Handle |

Mechanical Lug Wire Range 60/75°C Copper Only

#14 - #10 AWG

¹ Also rated Type 4/4X and UL and CUL approved for both indoor and outdoor use.

² Also UL approved and marked as Type 13.

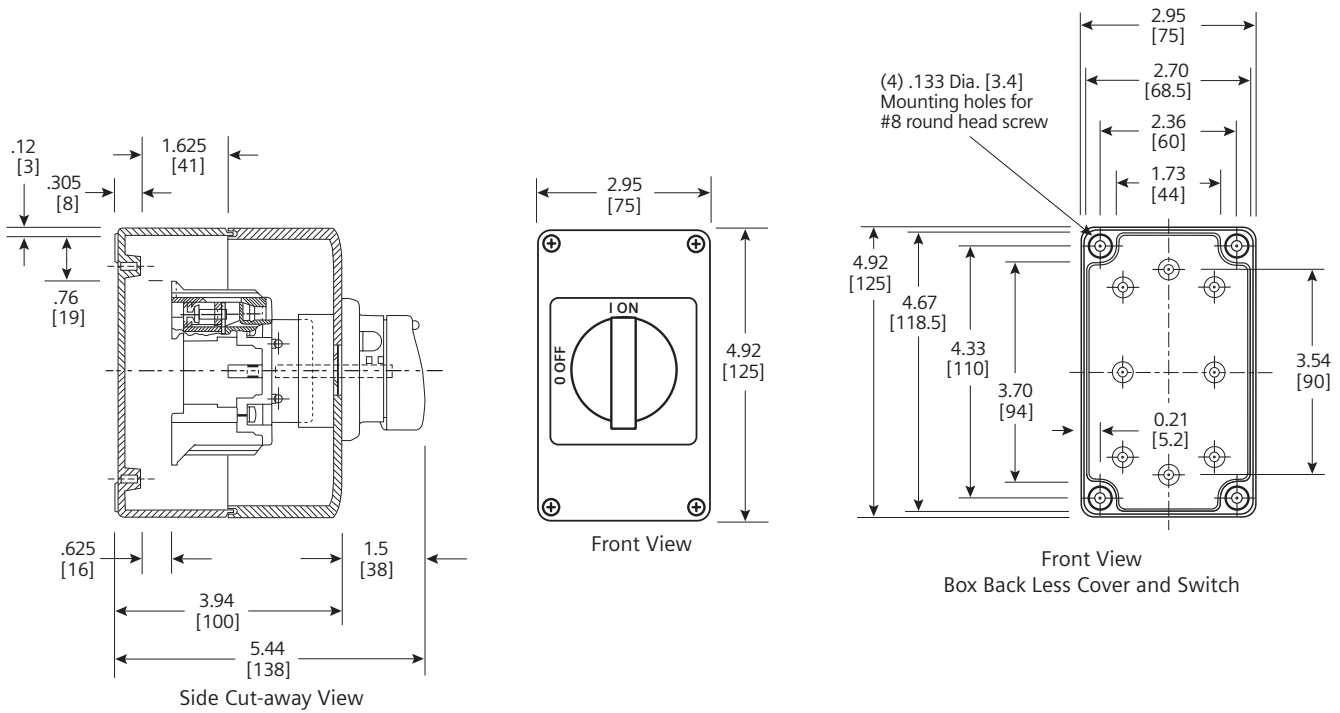
Product Specification Sheet LBR20.1

Answers for industry.

SIEMENS

Product Specification Sheet #LBR20.1 (page 2 of 2)

Dimension Drawing



Note: Conduit entry/exit is recommended in top and bottom box surfaces only.
 No knockouts in enclosure.
 Dimensions shown in inches and millimeters [].
 Dimension shown accurate to $\pm \frac{1}{8}$ inch.

Enclosure Finish - Light Gray

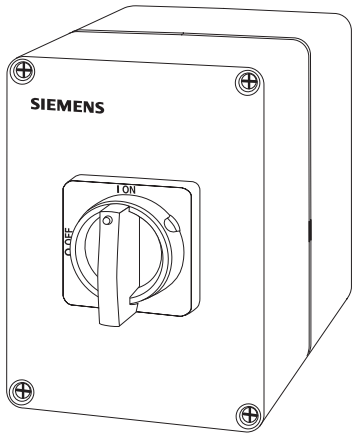
Siemens Energy & Automation, Inc.
 3333 Old Milton Parkway
 Alpharetta, GA 30005

1-800-964-4114
 info.sea@siemens.com

www.sea.siemens.com/power

©2008 Siemens Energy & Automation, Inc.
 All Rights Reserved.

Siemens is a registered trademark of Siemens AG.
 Product names mentioned may be trademarks or
 registered trademarks of their respective companies.
 Specifications are subject to change without notice.



Enclosed Rotary Disconnect Switch

30 - 100 Amp, Type 12 Industrial and 4/4X Non-metallic Enclosures

Standards and Ratings

- UL and CUL listed under file #E191706
- Meets UL508 for manual motor controllers
- Listed and marked "suitable as motor disconnect"
- Fiberglass reinforced polycarbonate enclosure which is UL and CUL approved as Type 12, 4 and 4X for either indoor or outdoor use ²
- Rated up to 18kA at 480V max with proper line side fusing (see table on page 2)
- IEC60947-3 rated and CE marked

- Suitable for use as a group disconnect
- Enclosure can be easily drilled or punched for conduits
- Ballast lamp (high inductive) rated at 480V max
- Optional auxiliary contact and ground lug kits are easily field installed

| Rating Ue/V | 415V | 500V | 690V |
|------------------------|------|------|------|
| 30A (lth 40A) | | | |
| AC22A Ie/A | 40 | 40 | 40 |
| AC23A Ie/A | 25 | 25 | 25 |
| 60A (lth 80A) | | | |
| AC22A Ie/A | 80 | 80 | 80 |
| AC23A Ie/A | 63 | 45 | 40 |
| 100A (lth 100A) | | | |
| AC22A Ie/A | 100 | 100 | 80 |
| AC23A Ie/A | 63 | 45 | 40 |

Enclosures rated IP65

Features

- Compact design saves space while providing ample wiring gutters

General Information

| Ampere Rating | Catalog Number | Max AC Volts | Description | Shipping Weight (lbs.) |
|---|----------------|--------------|---------------------------------|------------------------|
| Non-Fusible, Type 12 ^{1 2} with Screw Cover and Rotary Handle | | | | |
| 30 | HNF3030CJ | 600 | | 2 |
| 60 | HNF3060CJ | 600 | 3-Pole with Black Handle | 4 |
| 100 | HNF3100CJ | 480 | | 5 |
| 30 | HNF3030CJE | 600 | | 2 |
| 60 | HNF3060CJE | 600 | 3-Pole with Red & Yellow Handle | 4 |
| 100 | HNF3100CJE | 480 | | 5 |

Horsepower Ratings

| Catalog Number | 120V AC 1 Phase | 240V AC 1 Phase | 3 Phase | 480V AC 1 Phase | 3 Phase | 600V AC 3 Phase |
|-------------------------|-----------------|-----------------|---------|-----------------|---------|-----------------|
| HNF3030CJ HNF3030CJE | 2 | 3 | 7½ | 7½ | 15 | 20 |
| HNF3060CJ HNF3060CJE | 3 | 10 | 15 | 20 | 40 | 50 |
| HNF3100CJ HNF3100CJE | 5 | 15 | 25 | 30 | 50 | — |

Accessories

| Catalog Number | Description |
|----------------|---|
| GSGK60 | 30-100A Ground Lug Kit ³ |
| LBRA1 | 30A Auxiliary Contact Kit (1 NO - 1 NC) |
| LBRA2 | 60-100A Auxiliary Contact Kit (1 NO - 1 NC) |

Replacement Parts

| Catalog Number | Description |
|----------------|---------------------------------|
| LBR3040 | 30A Replacement Switch |
| LBR3080 | 60A Replacement Switch |
| LBR3100 | 100A Replacement Switch |
| LBRH3 | Replacement Black Handle |
| LBRH4 | Replacement Red & Yellow Handle |

¹ Also rated Type 4/4X and UL approved for both indoor and outdoor use.

² 30-100A switches are also UL approved and marked as Type 13. 60 and 100A switches are also CUL approved as Type 13.

³ Ground lug kit has two lugs for #14-4 Cu/Al wire.

Product Specification Sheet LBR30.1

Answers for industry.

SIEMENS

Product Specification Sheet #LBR30.1 (page 2 of 2)

Mechanical Lug Wire Ranges 60/75°C Copper Only

| Description | Wire Range |
|---------------|--|
| 30 Amps | (1) #14 - #10 AWG Solid |
| | (1) #14 - #10 AWG Solid |
| | (1) #14 - #4 AWG Stranded |
| | Up to (4) #12 AWG Solid |
| | Up to (3) #12 AWG Stranded |
| 60 & 100 Amps | Up to (6) #14 AWG Stranded |
| | Up to (4) #14 AWG Stranded with (1) #10 AWG Stranded |
| | (1) #14 - #10 AWG Solid |
| | (1) #14 - #1 AWG Stranded |
| | (2) #6 AWG Stranded |
| 60 & 100 Amps | Up to (3) #8 AWG Stranded |
| | Up to (6) #10 AWG Stranded |
| | Up to (6) #12 AWG Solid |

IEC Fuse and Withstand Ratings

| Ampere Rating | gG Fuse Size | Short Circuit Rating |
|---------------|--------------|----------------------|
| 30 | 63A | 10k Arms |
| 60 | 100A | 10k Arms |
| 100 | 100A | 10k Arms |

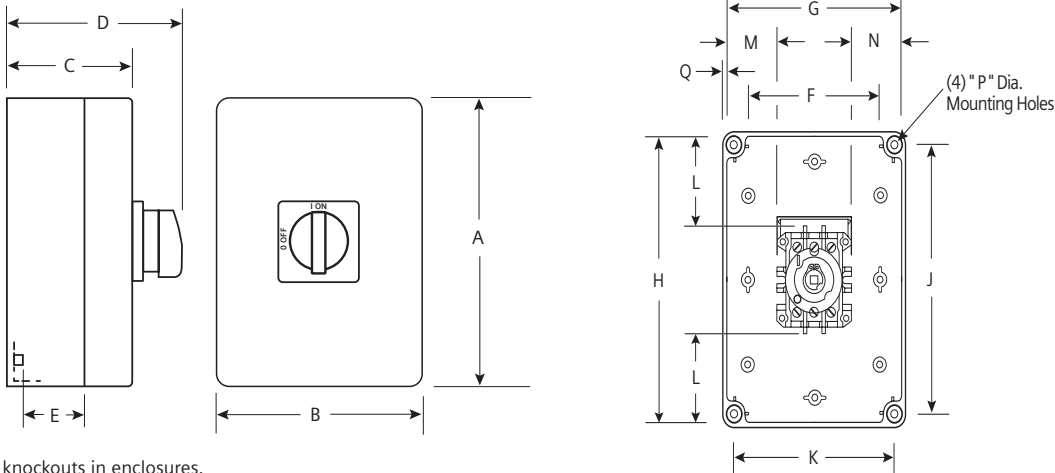
Note: Approved conduit entry/exit surfaces 30 and 100A – Top, bottom, back and all sides 60A – Top, bottom and all sides

UL and CUL Short Circuit Withstand Ratings

| Amp Rating | Short Circuit Withstand Rating and Fuse Class | | | | |
|------------|---|----------------------|-----------------------|------------------------------------|---|
| | With Line Side Fusing | | | With Load Side Fusing ¹ | |
| | 10 kA at 480V Max | 18 kA at 480V Max | 10 kA at 600V Max | 5 kA at 480V Max | 18 kA at 480V Max |
| 30 | H, K & RK5 (100A Max) | J, T & CC (100A Max) | H, K & RK5 (100A Max) | H, K & RK5 (30A Max) | Ferraz Shawmut A50P or lower let-through semiconductor fuses (60A Max) |
| 60 | H, K & RK5 (150A Max) | | H, K & RK5 (150A Max) | H, K & RK5 (60A Max) | Ferraz Shawmut A50P or lower let-through semiconductor fuses (100A Max) |
| 100 | H, K & RK5 (150A Max) | | — | | |

¹ For use as supplemental protection on the load side of the branch circuit over current protective device.

Dimension Drawing



No knockouts in enclosures.
Dimensions shown in inches and millimeters ().
Dimension shown accurate to $\pm \frac{1}{8}$ inch.

Enclosure Finish - Light Gray

Enclosed / Disconnect Switch Dimensions (inches)

| Catalog Number | Dimensions | | | | | | | | | | | | | | |
|----------------|------------|------|------|------|-------|------|------|-------|-------|------|-------|-------|-------|-----|------|
| | A | B | C | D | E | F | G | H | J | K | L | M | N | P | Q |
| HNF3030CJ | 6.89 | 4.92 | 3.94 | 5.44 | 1.625 | 3.54 | 4.67 | 6.63 | 6.30 | 4.33 | 2.375 | 1.312 | 1.312 | .17 | .125 |
| HNF3030CJE | 6.89 | 4.92 | 3.94 | 5.44 | 1.625 | 3.54 | 4.67 | 6.63 | 6.30 | 4.33 | 2.375 | 1.312 | 1.312 | .17 | .125 |
| HNF3060CJ | 9.46 | 6.31 | 4.77 | 6.27 | 2.50 | 4.56 | 6.06 | 9.21 | 8.98 | 5.12 | 3.25 | .56 | 2.44 | .17 | .125 |
| HNF3060CJE | 9.46 | 6.31 | 4.77 | 6.27 | 2.50 | 4.56 | 6.06 | 9.21 | 8.98 | 5.12 | 3.25 | .56 | 2.44 | .17 | .125 |
| HNF3100CJ | 11.77 | 7.87 | 5.20 | 6.70 | 3.53 | 4.92 | 7.40 | 11.34 | 11.02 | 7.09 | 4.31 | 4.78 | .42 | .28 | .21 |
| HNF3100CJE | 11.77 | 7.87 | 5.20 | 6.70 | 3.53 | 4.92 | 7.40 | 11.34 | 11.02 | 7.09 | 4.31 | 4.78 | .42 | .28 | .21 |

Siemens Energy & Automation, Inc.

3333 Old Milton Parkway
Alpharetta, GA 30005

1-800-964-4114

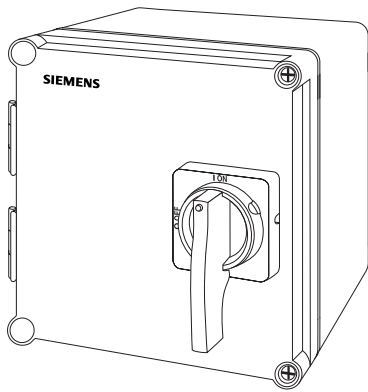
info.sea@siemens.com

www.sea.siemens.com/power

©2008 Siemens Energy & Automation, Inc.

All Rights Reserved.

Siemens is a registered trademark of Siemens AG. Product names mentioned may be trademarks or registered trademarks of their respective companies. Specifications are subject to change without notice.



Enclosed Rotary Disconnect Switch

30 - 100 Amp, Type 4/4X Non-metallic Enclosures

Standards and Ratings

- UL and CUL listed under file #E191706
- Meets UL508 for manual motor controllers
- Listed and marked "suitable as motor disconnect"
- Fiberglass reinforced polycarbonate enclosure which is UL approved as Type 12, 4 and 4X for either indoor or outdoor use
- Rated up to 18kA at 480V max with proper line side fusing (see table on page 2)
- IEC60947-3 rated and CE marked

- Enclosure can be easily drilled or punched for conduits
- Ballast lamp (high inductive) rated at 480V max
- Optional auxiliary contact and ground lug kits are easily field installed
- Pistol grip handle is provided with a defeatable cover interlock to prevent cover from being opened when switch is ON

Features

- Compact design saves space while providing ample wiring gutters
- Suitable for use as a group disconnect

| Rating Ue/V | 415V | 500V | 690V |
|------------------------|------|------|------|
| 30A (Ith 40A) | | | |
| AC22A Ie/A | 40 | 40 | 40 |
| AC23A Ie/A | 25 | 25 | 25 |
| 60A (Ith 80A) | | | |
| AC22A Ie/A | 80 | 80 | 80 |
| AC23A Ie/A | 63 | 45 | 40 |
| 100A (Ith 100A) | | | |
| AC22A Ie/A | 100 | 100 | 80 |
| AC23A Ie/A | 63 | 45 | 40 |

Enclosures rated IP65

General Information

| Ampere Rating | Catalog Number | Max AC Volts | Description | Shipping Weight (lbs.) |
|--|----------------|--------------|--------------------------|------------------------|
| Non-Fusible, Type 4/4X¹ with Hinged Door | | | | |
| 30 | HNF3030CX | 600 | 3-Pole with Black Pistol | 4 |
| 60 | HNF3060CX | 600 | Grip Handle | 4 |
| 100 | HNF3100CX | 480 | | 5 |

Horsepower Ratings

| Catalog Number | 120V AC 1 Phase | 240V AC 1 Phase | 3 Phase | 480V AC 1 Phase | 3 Phase | 600V AC 3 Phase |
|----------------|--------------------|--------------------|---------|--------------------|---------|--------------------|
| HNF3030CX | 2 | 3 | 7½ | 7½ | 15 | 20 |
| HNF3060CX | 3 | 10 | 15 | 20 | 40 | 50 |
| HNF3100CX | 5 | 15 | 25 | 30 | 50 | — |

Accessories

| Catalog Number | Description |
|----------------|--|
| GSGK60 | 30-100A Ground Lug Kit ² |
| LBRA1 | 30A Auxiliary Contact Kit (1 NO – 1 NC) |
| LBRA2 | 60-100 Auxiliary Contact Kit (1 NO – 1 NC) |

Replacement Parts

| Catalog Number | Description |
|----------------|--------------------------------------|
| LBR3040 | 30A Replacement Switch |
| LBR3080 | 60A Replacement Switch |
| LBR3100 | 100A Replacement Switch |
| LBRH9 | Replacement Black Pistol Grip Handle |

¹ Also rated Type 12 and UL approved for both indoor and outdoor use.

² Ground lug kit has two lugs for #14-4 Cu/Al wire.

Product Specification Sheet LBR30.2

Answers for industry.

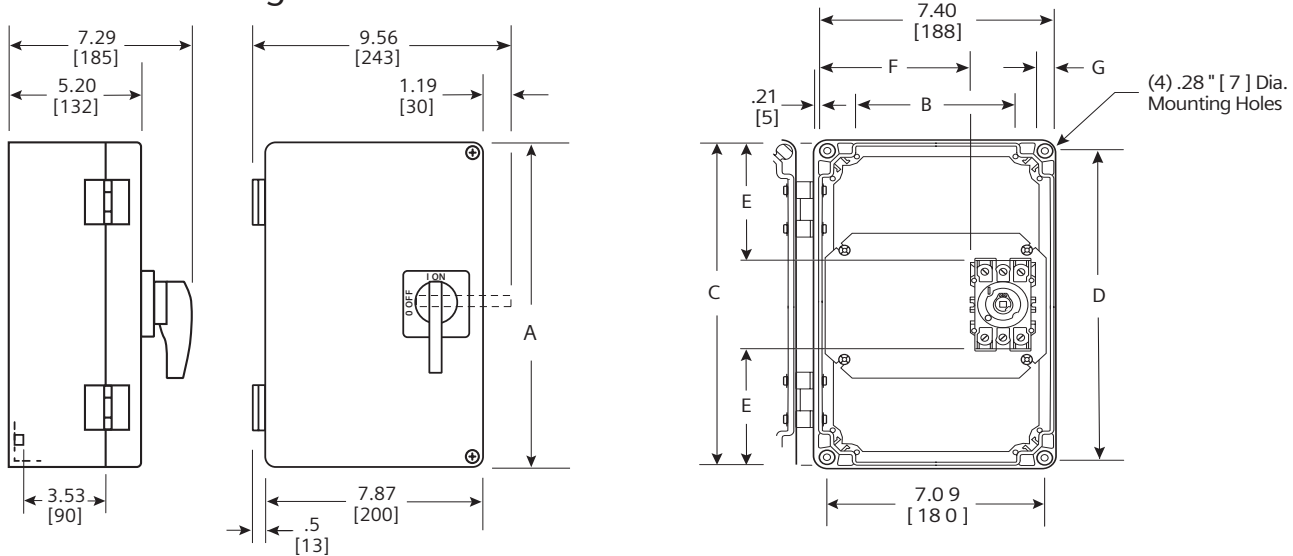
SIEMENS

Product Specification Sheet #LBR30.2 (page 2 of 2)

Mechanical Lug Wire Ranges 60/75°C Copper Only

| Description | Wire Range | Description | Wire Range |
|-------------|---|---------------|---|
| 30 Amps | (1) #14 - #10 AWG Solid (1) #14 - #10 AWG Solid (1) #14 - #4 AWG Stranded Up to (4) #12 AWG Solid UP to (3) #12 AWG Stranded Up to (6) #14 AWG Stranded Up to (4) #14 AWG Stranded with (1) #10 AWG Stranded | 60 & 100 Amps | (1) #14 - #10 AWG Solid (1) #14 - #1 AWG Stranded (2) #6 AWG Stranded Up to (3) #8 AWG Stranded Up to (6) #10 AWG Stranded Up to (6) #12 AWG Solid |

Dimension Drawing



No knockouts in enclosures.
Dimensions shown in inches and millimeters [].
Dimension shown accurate to $\pm \frac{1}{8}$ inch.

Enclosure Finish - Light Gray

Enclosed/Disconnect Switch Dimensions (inches)

| Catalog Number | Dimensions | | | | | | |
|----------------|------------|------|-------|-------|------|------|-----|
| | A | B | C | D | E | F | G |
| HNF3030CX | 7.87 | 4.92 | 7.44 | 7.09 | 2.75 | 4.90 | .50 |
| HNF3060CX | 11.77 | 4.92 | 11.34 | 11.02 | 4.31 | 4.78 | .42 |
| HNF3100CX | 11.77 | 4.92 | 11.34 | 11.02 | 4.31 | 4.78 | .42 |

IEC Fuse and Withstand Ratings

| Ampere Rating | gG Fuse Size | Short Circuit Rating |
|---------------|--------------|----------------------|
| 30 | 63A | 10k Arms |
| 60 | 100A | 10k Arms |
| 100 | 100A | 10k Arms |

Note: Approved conduit entry/exit surfaces
60 and 100A - Top, bottom, back and all sides
30A - Top, bottom and all sides

UL and CUL Short Circuit Withstand Ratings

| Amp Rating | Short Circuit Withstand Rating and Fuse Class | | | | |
|------------|---|----------------------|------------------------------------|----------------------|---|
| | With Line Side Fusing | | With Load Side Fusing ¹ | | |
| | 10 kA at 480V Max | 18 kA at 480V Max | 10 kA at 600V Max | 5 kA at 480V Max | 18 kA at 480V Max |
| 30 | H, K & RK5 (100A Max) | J, T & CC (100A Max) | H, K & RK5 (100A Max) | H, K & RK5 (30A Max) | Ferraz Shawmut A50P or lower let-through semiconductor fuses (60A Max) |
| 60 | H, K & RK5 (150A Max) | | H, K & RK5 (150A Max) | H, K & RK5 (60A Max) | Ferraz Shawmut A50P or lower let-through semiconductor fuses (100A Max) |
| 100 | H, K & RK5 (150A Max) | | — | | |

¹ For use as supplemental protection on the load side of the branch circuit over current protective device.

Siemens Energy & Automation, Inc.

3333 Old Milton Parkway
Alpharetta, GA 30005

1-800-964-4114

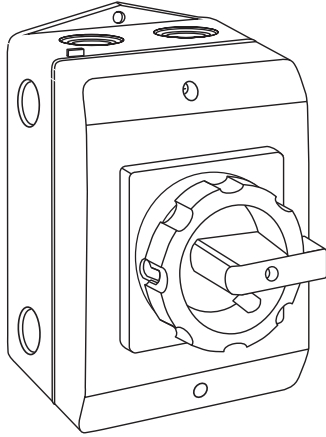
info.sea@siemens.com

www.sea.siemens.com/power

©2008 Siemens Energy & Automation, Inc.

All Rights Reserved.

Siemens is a registered trademark of Siemens AG. Product names mentioned may be trademarks or registered trademarks of their respective companies. Specifications are subject to change without notice.



Enclosed Rotary Disconnect Switch

Non-Fusible, 16 - 30 Amp, Type 12K Industrial and 4X Non-metallic Enclosures

Standards and Ratings

- UL Listed under file #E47705
- CSA certified under file # 20357C
- Meets UL508 for manual motor controllers
- Enclosure constructed from Makrolon 9425 and UL Listed as Type 1, 4X and 12K for either indoor or outdoor use
- IEC60497-3 rated and CE marked (enclosure IP65 rated)
- Listed and marked suitable as motor disconnect
- Rated 5kA at 600V AC max. when protected by a 3RV motor starter with a FLA rating equal to or less than the switch ampere rating or an RK5 Fuse as follows:

| Switch Rating | RK5 Fuse Rating |
|---------------|-----------------|
| 16A | 50A max. |
| 25 & 30A | 80A max. |

Features

- Compact design saves space while meeting UL wire bending space requirements
- Knockouts provided in top and bottom ends
- Available with factory installed auxiliary contacts
- Factory installed ground bar (except on catalog numbers with 4 NO auxiliary contacts)
- Padlockable in OFF position with up to (3) padlocks with 5/16" max. diameter hasps
- Black or Red and Yellow rotary handles available

General Information and Horsepower Ratings ¹

| Amp Rating | Catalog Number | Shipping Weight (lbs.) | Horsepower Ratings | | | |
|---|--------------------|------------------------|--------------------|---------|-----------------|-----------------|
| | | | 240V AC 1 Phase | 3 Phase | 480V AC 3 Phase | 600V AC 3 Phase |
| 3-Pole with Black Rotary Handle ² | | | | | | |
| 16 | 3LD2064-0TB51-0US2 | 1 | 1½ | 3 | 7½ | 10 |
| 25 | 3LD2164-0TB51-0US2 | 1 | 3 | 7½ | 10 | 15 |
| 30 | 3LD2264-0TB51-0US2 | 1 | 3 | 10 | 20 | 20 |
| 3-Pole with Red & Yellow Rotary Handle ² | | | | | | |
| 16 | 3LD2064-0TB53-0US2 | 1 | 1½ | 3 | 7½ | 10 |
| 25 | 3LD2164-0TB53-0US2 | 1 | 3 | 7½ | 10 | 15 |
| 30 | 3LD2264-0TB53-0US2 | 1 | 3 | 10 | 20 | 20 |
| 3-Pole with Black Rotary Handle, 1 NO & 1 NC Auxiliary Contact ² | | | | | | |
| 16 | 3LD2064-1GP51-0US2 | 1 | 1½ | 3 | 7½ | 10 |
| 25 | 3LD2164-1GP51-0US2 | 1 | 3 | 7½ | 10 | 15 |
| 30 | 3LD2264-1GP51-0US2 | 1 | 3 | 10 | 20 | 20 |
| 3-Pole with Red & Yellow Rotary Handle, 1 NO & 1 NC Auxiliary Contact ² | | | | | | |
| 16 | 3LD2064-1GP53-0US2 | 1 | 1½ | 3 | 7½ | 10 |
| 25 | 3LD2164-1GP53-0US2 | 1 | 3 | 7½ | 10 | 15 |
| 30 | 3LD2264-1GP53-0US2 | 1 | 3 | 10 | 20 | 20 |
| 3-Pole with Black Rotary Handle & 2 NO Auxiliary Contacts ² | | | | | | |
| 30 | 3LD2264-1TS51-0US2 | 1 | 3 | 10 | 20 | 20 |
| 3-Pole with Red & Yellow Rotary Handle & 2 NO Auxiliary Contacts ² | | | | | | |
| 30 | 3LD2264-1TS53-0US2 | 1 | 3 | 10 | 20 | 20 |
| 3-Pole with Black Rotary Handle & 4 NO Auxiliary Contacts ³ | | | | | | |
| 30 | 3LD2264-2TW51-0US2 | 1 | 3 | 10 | 20 | 20 |
| 3-Pole with Red & Yellow Rotary Handle & 4 NO Auxiliary Contacts ³ | | | | | | |
| 30 | 3LD2264-2TW53-0US2 | 1 | 3 | 10 | 20 | 20 |

¹ All switches have screw type covers.

² Factory installed ground bar provided for #14-10 Cu wire.

³ Ground bar not available.

Product Specification Sheet #3LD2.1

Answers for industry.

SIEMENS

Product Specification Sheet #3LD2.1 (page 2 of 2)

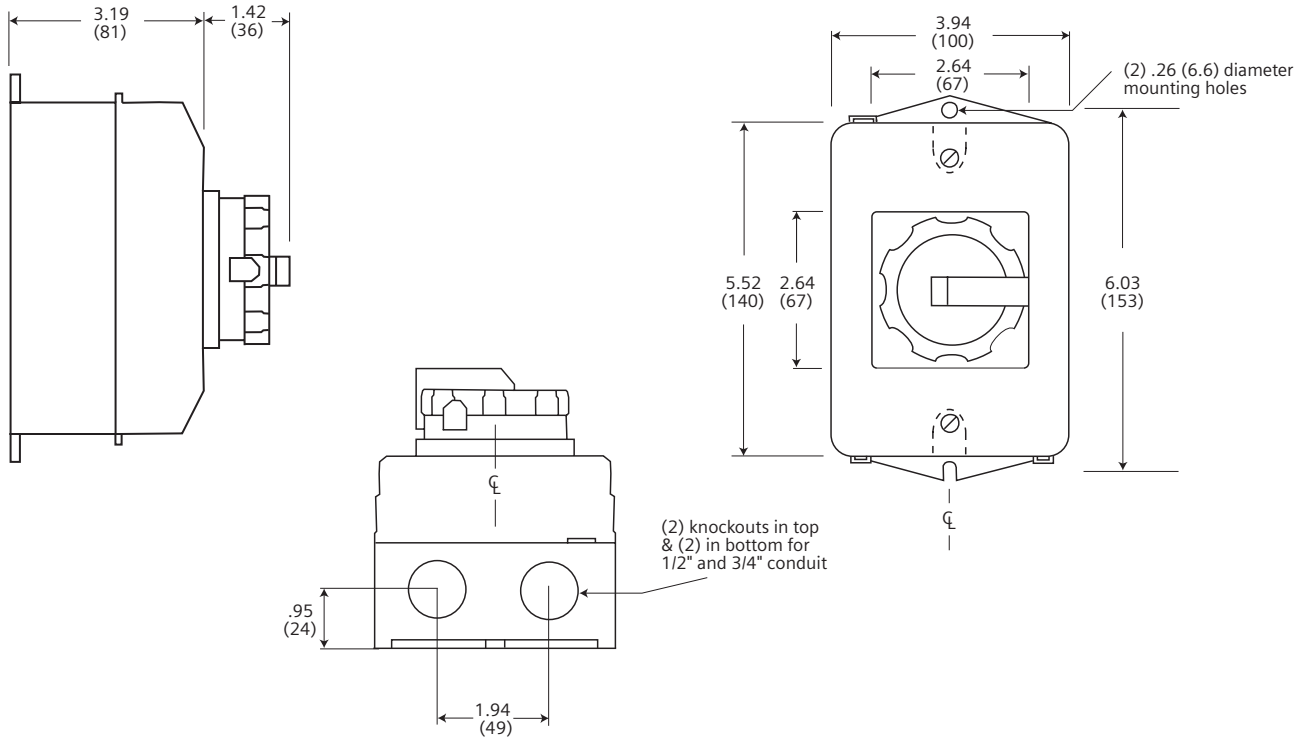
Accessories

| Catalog Number | Description |
|----------------|----------------------|
| 3LD9220-2C | 16 – 30A Neutral Kit |

Line and Load Lug Wire Ranges (60/75°C, Cu only)

| Description | Wire Range |
|-------------|------------|
| 16 Amp | #18-10 AWG |
| 25 & 30A | #14-10 AWG |

Dimension Drawing



Dimensions shown in inches and millimeters ().
Dimension shown accurate to $\pm \frac{1}{16}$ inch.

Note: Enclosure Finish – Light Gray

Note: Approved conduit entry/exit surfaces. Top, bottom, back and all sides.

Note: Wire bending space 1 3/4" from inside surface at KO's to line and load lugs (1" from center top & bottom lug to cover mounting post).

IEC Fuse and Withstand Ratings

| Ampere Rating | gG Fuse Size | Short Circuit Rating |
|---------------------------|--------------|----------------------|
| 3LD2 Screw Cover Switches | | |
| 16 | 20A | 5k Arms |
| 25 | 25A | 10k Arms |
| 30 | 50A | 10k Arms |

Auxiliary Contact Control Circuit Ratings (wire range #18-12 60/75° C, Cu only)

| 50 or 60 Hz AC (Contact Rating A600, 10A continuous) | | | | | | DC (Contact Rating P600, 5A Continuous) Maximum, Make or Break | | | | |
|--|-------|--------------|-------|--------------|-------|---|-------|------|------|----------|
| 120V Make | Break | 240V Make | Break | 480V Make | Break | 600V Make | Break | 125V | 250V | 301-600V |
| 60A | 6A | 30A | 3A | 15A | 1.5A | 12A | 1.2A | 1.1 | .55 | 0.2 |

Siemens Energy & Automation, Inc.

3333 Old Milton Parkway
Alpharetta, GA 30005

1-800-964-4114

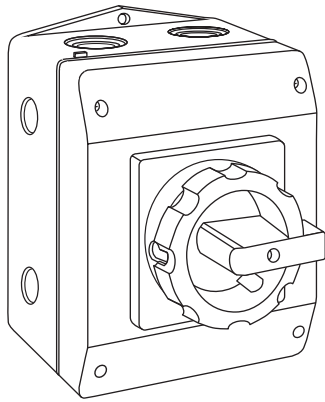
info.sea@siemens.com

www.sea.siemens.com/power

©2008 Siemens Energy & Automation, Inc.

All Rights Reserved.

Siemens is a registered trademark of Siemens AG.
Product names mentioned may be trademarks or registered trademarks of their respective companies.
Specifications are subject to change without notice.



Enclosed Rotary Disconnect Switch

Non-fusible 63 Amp, Type 12K Industrial and 4/4X Non-metallic Enclosures

Standards and Ratings

- UL Listed under file #E47705
- CSA certified under file # 20357C
- Meets UL508 for manual motor controllers
- Enclosure constructed from Makrolon 9425 and UL Listed as Type 1, 4X and 12K for either indoor or outdoor use
- IEC60497-3 rated and CE marked (enclosure IP65 rated)
- Listed and marked suitable as motor disconnect
- Rated 5kA at 600V AC max when protected by a 3RV motor starter with a FLA rating equal to or less than the switch ampere rating or 175A max. RK5 Fuses

Features

- Compact design saves space while meeting UL wire bending space requirements
- Knockouts provided in top and bottom ends
- Available with factory installed auxiliary contacts
- Factory installed ground bar
- Padlockable in OFF position with up to (3) padlocks with 3/4" max. diameter hasps
- Black or Red and Yellow rotary handles available

General Information and Horsepower Ratings ¹

| Amp Rating | Catalog Number | Shipping Weight (lbs.) | Horsepower Ratings | | | |
|---|--------------------|------------------------|--------------------|---------|-----------------|-----------------|
| | | | 240V AC 1 Phase | 3 Phase | 480V AC 3 Phase | 600V AC 3 Phase |
| 3-Pole with Black Rotary Handle | | | | | | |
| 63 | 3LD2565-OTB51-0US2 | 3 | 10 | 15 | 40 | 50 |
| 3-Pole with Red & Yellow Rotary Handle | | | | | | |
| 63 | 3LD2565-OTB53-0US2 | 3 | 10 | 15 | 40 | 50 |
| 3-Pole with Black Rotary Handle, 1 NO &1 NC Auxiliary Contact | | | | | | |
| 63 | 3LD2565-1GP51-0US2 | 3 | 10 | 15 | 40 | 50 |
| 3-Pole with Red & Yellow Rotary Handle, 1 NO &1 NC Auxiliary Contact | | | | | | |
| 63 | 3LD2565-1GP53-0US2 | 3 | 10 | 15 | 40 | 50 |

Accessories

| Catalog Number | Description |
|----------------|-----------------|
| 3LD9250-2CA | 63A Neutral Kit |

Line and Load Lug Wire Ranges (60/75°C, Cu only)

| Description | Wire Range |
|-------------|------------|
| 63 Amp | #14-6 AWG |

¹ All switches have screw type covers and factory installed ground bars for #14-8 Cu wire.

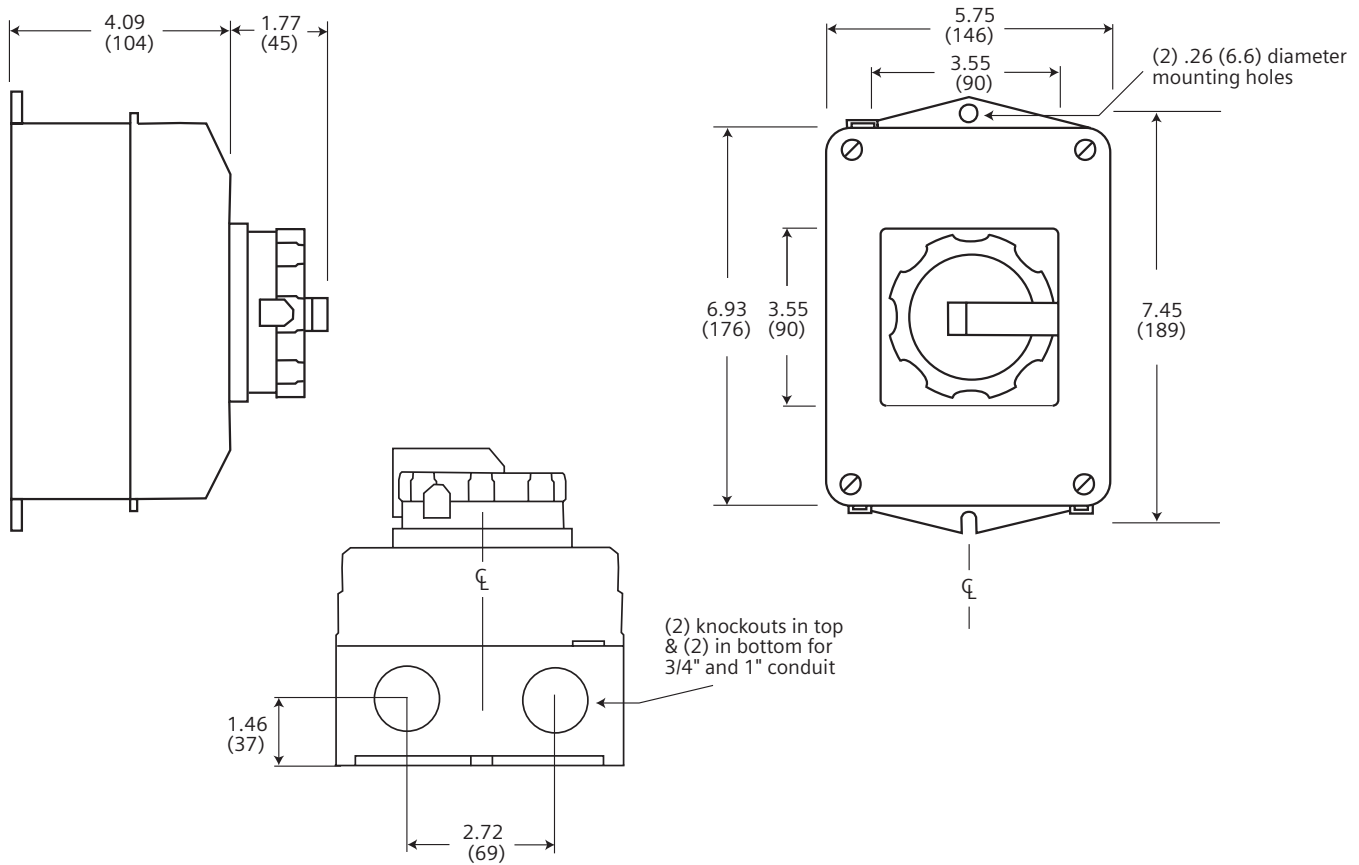
Product Specification Sheet 3LD2.2

Answers for industry.

SIEMENS

Product Specification Sheet #3LD2.2 (page 2 of 2)

Dimension Drawing



Dimensions shown in inches and millimeters ().
Dimension shown accurate to $\pm 1/16$ inch.

Note: Approved conduit entry/exit surfaces. Top, bottom, back and all sides.
Note: Wire bending space 2 1/4" (top and bottom).

Note: Enclosure Finish – Light Gray

IEC Fuse and Withstand Ratings

| Ampere Rating | gG Fuse Size | Short Circuit Rating |
|---------------------------|--------------|----------------------|
| 3LD2 Screw Cover Switches | | |
| 63 | 63A | 15k Arms |

Auxiliary Contact Control Circuit Ratings (wire range #18-12 60/75° C, Cu only)

| 50 or 60 Hz AC (Contact Rating A600, 10A continuous) | | | | | | | | DC (Contact Rating P600, 5A Continuous Maximum, Make or Break) | | |
|--|-------|-----------|-------|-----------|-------|-----------|-------|--|------|----------|
| 120V Make | Break | 240V Make | Break | 480V Make | Break | 600V Make | Break | 125V | 250V | 301-600V |
| 60A | 6A | 30A | 3A | 15A | 1.5A | 12A | 1.2A | 1.1 | .55 | 0.2 |

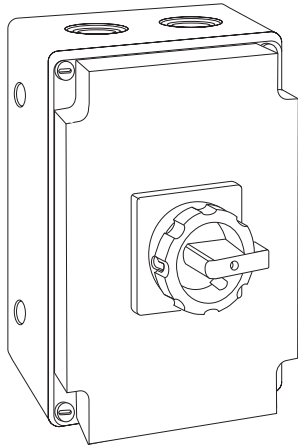
Siemens Energy & Automation, Inc.
3333 Old Milton Parkway
Alpharetta, GA 30005

1-800-964-4114
info.sea@siemens.com

www.sea.siemens.com/power

©2008 Siemens Energy & Automation, Inc.
All Rights Reserved.

Siemens is a registered trademark of Siemens AG.
Product names mentioned may be trademarks or registered trademarks of their respective companies.
Specifications are subject to change without notice.



Enclosed Rotary Disconnect Switch

Non-fusible, 100 - 125 Amp, Type 12K Industrial and Type 4X Non-metallic Enclosures

Standards and Ratings

- UL Listed under file #E47705
- CSA certified under file # 20357C
- Meets UL508 for manual motor controllers
- Enclosure constructed from Makrolon 9425 and UL Listed as Type 1, 4X and 12K for either indoor or outdoor use
- IEC60497-3 rated and CE marked (enclosure IP65 rated)
- Listed and marked suitable as motor disconnect
- Rated 10kA at 600V AC max. when protected by a 200A max. amp RK5 Fuse

Features

- Compact design saves space while meeting UL wire bending space requirements
- Knockouts provided in top and bottom ends
- Available with factory installed auxiliary contacts
- Factory installed ground bar
- Padlockable in OFF position with up to (3) padlocks with 3/16" max. diameter hasps
- Black or Red and Yellow rotary handles available

General Information and Horsepower Ratings ¹

| Amp Rating | Catalog Number | Shipping Weight (lbs.) | Horsepower Ratings | | | |
|--|--------------------|------------------------|--------------------|---------|-----------------|-----------------|
| | | | 240V AC 1 Phase | 3 Phase | 480V AC 3 Phase | 600V AC 3 Phase |
| 3-Pole, 4 Wire with Black Rotary Handle | | | | | | |
| 100 | 3LD2766-0TB51-0US2 | 6 | — | 30 | 60 | 75 |
| 125 | 3LD2866-0TB51-0US2 | 6 | — | 40 | 75 | 100 |
| 3-Pole, 4 Wire with Red & Yellow Rotary Handle | | | | | | |
| 100 | 3LD2766-0TB53-0US2 | 6 | — | 30 | 60 | 75 |
| 125 | 3LD2866-0TB53-0US2 | 6 | — | 40 | 75 | 100 |
| 3-Pole, 4 Wire with Black Rotary Handle, 1 NO & 1 NC Auxiliary Contact | | | | | | |
| 100 | 3LD2766-1GP51-0US2 | 6 | — | 30 | 60 | 75 |
| 125 | 3LD2866-1GP51-0US2 | 6 | — | 40 | 75 | 100 |
| 3-Pole, 4 Wire with Red & Yellow Rotary Handle, 1 NO & 1 NC Auxiliary Contact | | | | | | |
| 100 | 3LD2766-1GP53-0US2 | 6 | — | 30 | 60 | 75 |
| 125 | 3LD2866-1GP53-0US2 | 6 | — | 40 | 75 | 100 |

Accessories

Description

100-125A Neutral Kit Factory Installed as Standard

Line and Load Lug Wire Ranges (60/75°C, Cu only)

| Description | Wire Range |
|-------------|------------|
| 100-125 Amp | #12-1 AWG |

¹ All switches have screw type covers and factory installed ground bars for #12-1 Cu wire and neutral assemblies.

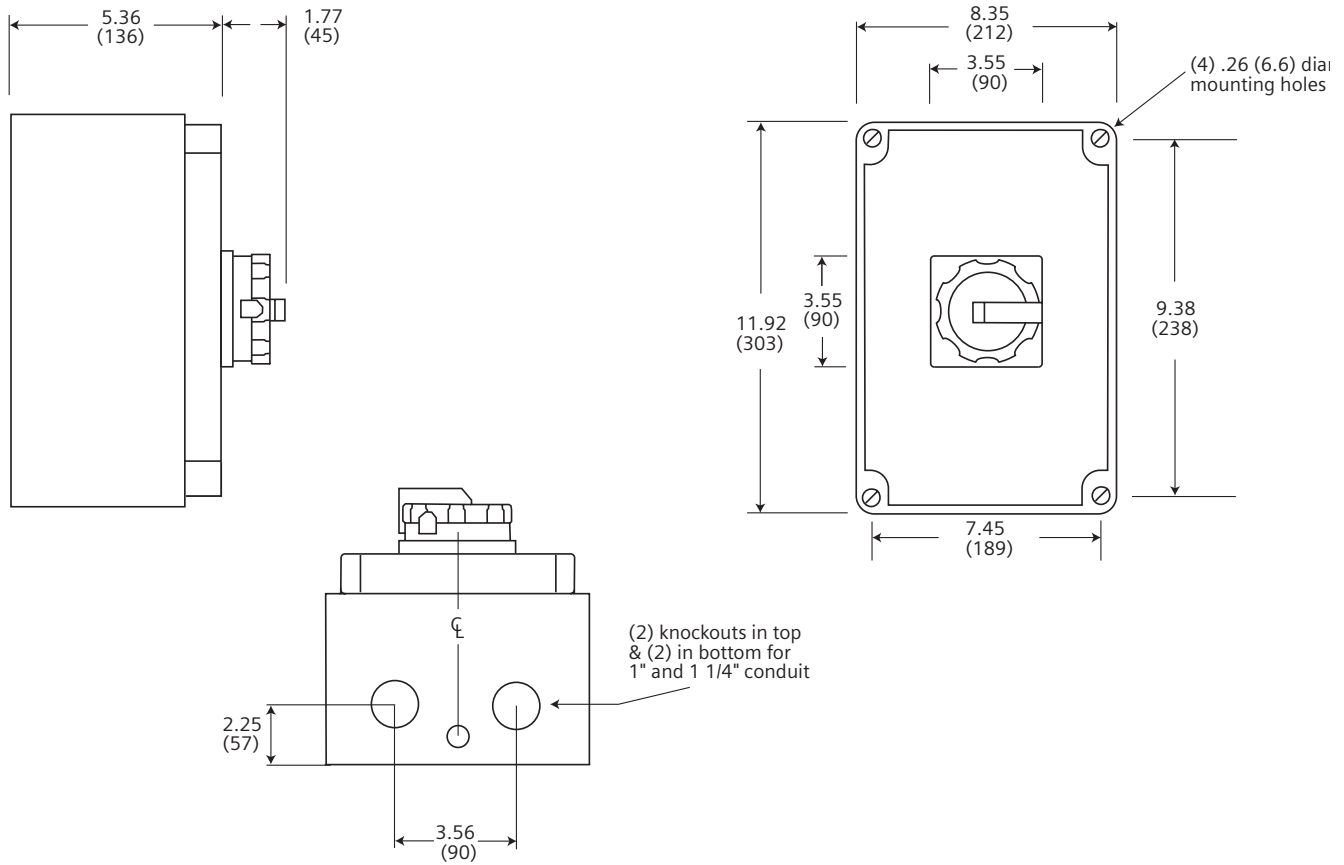
Product Specification Sheet #3LD2.3

Answers for industry.

SIEMENS

Product Specification Sheet #3LD2.3 (page 2 of 2)

Dimension Drawing



Dimensions shown in inches and millimeters ().
Dimension shown accurate to $\pm 1/16$ inch.

Note: Enclosure Finish – Light Gray

Note: Approved conduit entry/exit surfaces. Top, bottom, back and all sides.
Note: Wire bending space 4 1/2" (top and bottom).

IEC Fuse and Withstand Ratings

| Ampere Rating | gG Fuse Size | Short Circuit Rating |
|---------------------------|--------------|----------------------|
| 3LD2 Screw Cover Switches | | |
| 100 | 100A | 20k Arms |
| 125 | 125A | 20k Arms |

Auxiliary Contact Control Circuit Ratings (wire range #18-12 60/75° C, Cu only)

| 50 or 60 Hz AC (Contact Rating A600, 10A continuous) | | | | | | | | DC (Contact Rating P600, 5A Continuous) Maximum, Make or Break | | |
|--|-------|--------------|-------|--------------|-------|--------------|-------|---|------|----------|
| 120V Make | Break | 240V Make | Break | 480V Make | Break | 600V Make | Break | 125V | 250V | 301-600V |
| 60A | 6A | 30A | 3A | 15A | 1.5A | 12A | 1.2A | 1.1 | .55 | 0.2 |

Siemens Energy & Automation, Inc.
3333 Old Milton Parkway
Alpharetta, GA 30005

1-800-964-4114
info.sea@siemens.com

www.sea.siemens.com/power

©2008 Siemens Energy & Automation, Inc.
All Rights Reserved.

Siemens is a registered trademark of Siemens AG.
Product names mentioned may be trademarks or
registered trademarks of their respective companies.
Specifications are subject to change without notice.