

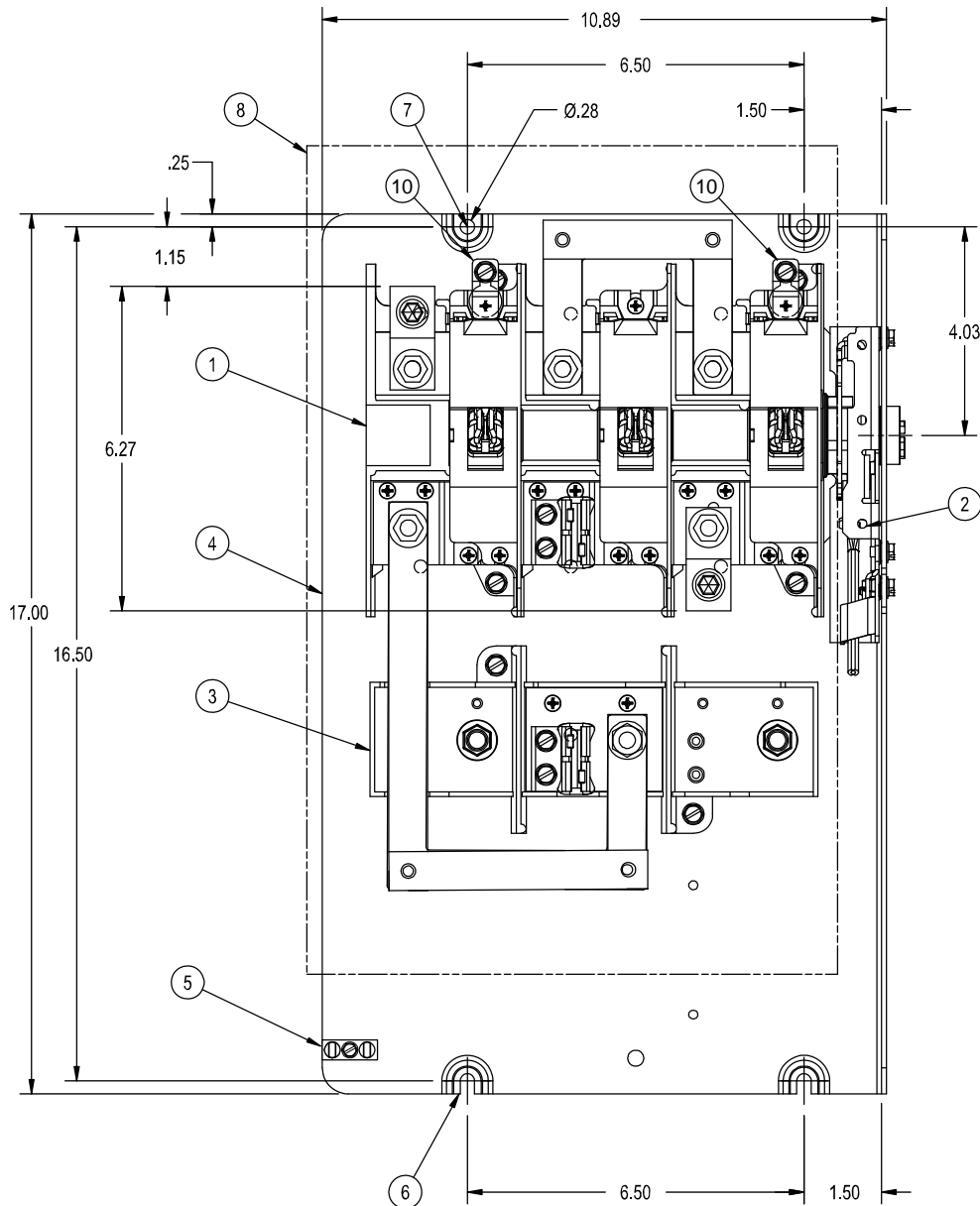


Component Data Sheet

| | | | |
|---|--|--|---|
|  |  Danger |  Peligro |  Danger |
| | <p>Hazardous Voltage. Will cause death or serious injury.</p> <p>Turn off and lock out all power supplying this device before working on this device. Replace all covers before power supplying this device is turned on.</p> | <p>Tensión peligrosa. Puede causar la muerte o lesiones graves.</p> <p>Desenergice totalmente antes de instalar o darle servicio. Reemplace todas las barreras y cubiertas antes de energizar el interruptor.</p> | <p>Tension dangereuse. Danger de mort ou risque de blessures graves.</p> <p>Couper l'alimentation de l'appareil et barrer avant de travailler. Remplacez tous les couverts avant que l'approvisionnement de pouvoir soit alimenté.</p> |



| | |
|--|--|
| <p>1) Line Base Assembly (factory installed)</p> <p>2) Mechanism Assembly (factory installed)</p> <p>3) Load Base Assembly (factory installed)</p> <p>4) Mounting Pan</p> <p>5) Ground Lug</p> | <p>6) Slotted Mounting Hole</p> <p>7) Mounting Hole</p> <p>8) Clear Line Shield</p> <p>9) Pan Mounting Screws, (4) 1/4x20 x 1/2" (not shown)</p> <p>10) Line Shield Mounting Screws, (2) 10-32 x 5/16"</p> |
|--|--|

SIEMENS

Cat. No. VBFS1104PV
200 Amp Maximum

Fusible Panel Mounted Photovoltaic Disconnect Switch

Type VBII

1000 Volts DC (V $\overline{\text{---}}$) Maximum

Suitable for use in NEMA Type 1/3R/12 enclosures.

Suitable for use in accordance with NEC Article 690 for Photovoltaic Installations.

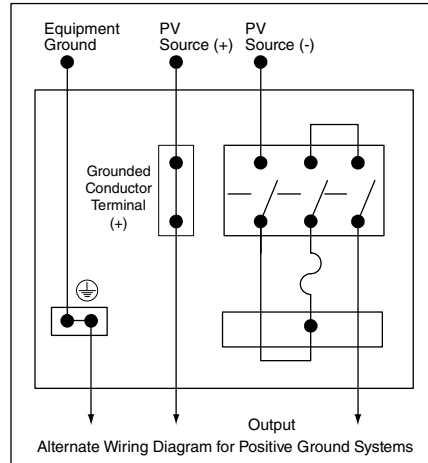
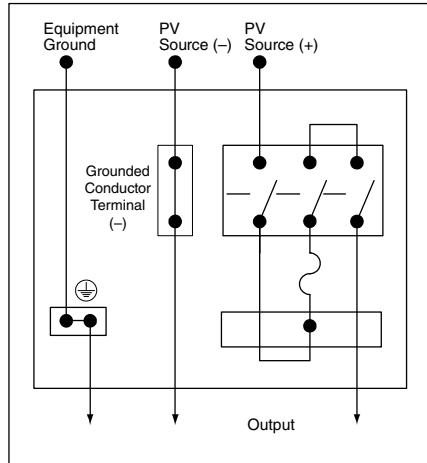
Suitable for Positive and Negative Ground Systems.

Continuous load current not to exceed 80% of the rating of fuses employed in other than motor circuits.

This product is intended for operation in an environment having an ambient temperature range of -20°C to 50°C.

Fuse and Short Circuit Information

This switch is suitable for use in a PV system capable of delivering not more than 10,000 amperes, when protected by Littelfuse Type SPFJ PV fuses rated 200 amperes maximum.



Terminal Information

USE 75°C COPPER OR ALUMINUM WIRE

| Description | Wire Range | Wire Tightening Torque ³ | Lug Mounting Torque ³ |
|---|-------------------|-------------------------------------|----------------------------------|
| PV Source & Grounded Conductor Terminal | 6 AWG – 300 kcmil | 275 lb-ins. | 135 lb-ins. |

UL Listed Compression Lugs (Refer to manufacturers instructions for proper installation)

| Wire Size (AWG OR kcmil) | Burdny | | Thomas & Betts | | Ilsco | |
|--------------------------|----------------------|--------|-----------------------------------|----------------|---------------------|---------------------|
| | Cu Only | Cu/Al | Cu Only | Cu/Al | Cu Only | Cu/Al |
| 2 | YA2C-L Box YA2C | YA2CA1 | 54142-TB | 60117 | CRB-2 CRB-2L | IACL-2 ACN-2 |
| 1 | YA1C-L Box YA1C | YA1CA1 | 54147 54947BE | 60123 | CRA-1-38 CRA-1L | ACN-1 |
| 1/0 | YA25-L Box YA25 | YA25A1 | 54153-TB 54949BE | 60129 61130 | CRA-0 CRA-1/0L | IACL-1/0 ACN-1/0 |
| 2/0 | YA26-L3 YA26 | YA26A6 | 54158 / 54910BE 256-30695-1229 | 60135 61136 | CRA-2/0 CRA-2/0L | IACL-2/0 ACN-2/0 |
| 3/0 | YA27-L3 YA27 | YA27A1 | 54163-TB | 60141 61142 | CRC-3/0 CRB-3/0L | IACL-3/0 ACN-3/0 |
| 4/0 | YA28-L3 YA28-TC38 | YA28A1 | 54168 256-30695-1253 | 61148 60147 | CRC-4/0 CRB-4/0L | IACL-4/0 ACN-4/0 |
| 250 | YA29-L7 | | 54173 54913BE | 61156 | CRA-250 CRA-250L | IACL-250 |
| 300 | | | | 61162 | | |

Accessories

| | | | | | |
|-------------------------|----------|-------------------------|----------|----------------|-------|
| Aux. Switch (1NO - 1NC) | HA161234 | Aux. Switch (1NO - 1NC) | HA361234 | Copper Lug Kit | HLC64 |
| Aux. Switch (2NO - 2NC) | HA261234 | | | | |

Replacement Parts

| | | | | | |
|-----------|---|---------------------|------|-----------|---|
| Line Base | - | Replacement Lug Kit | HL64 | Load Base | - |
|-----------|---|---------------------|------|-----------|---|

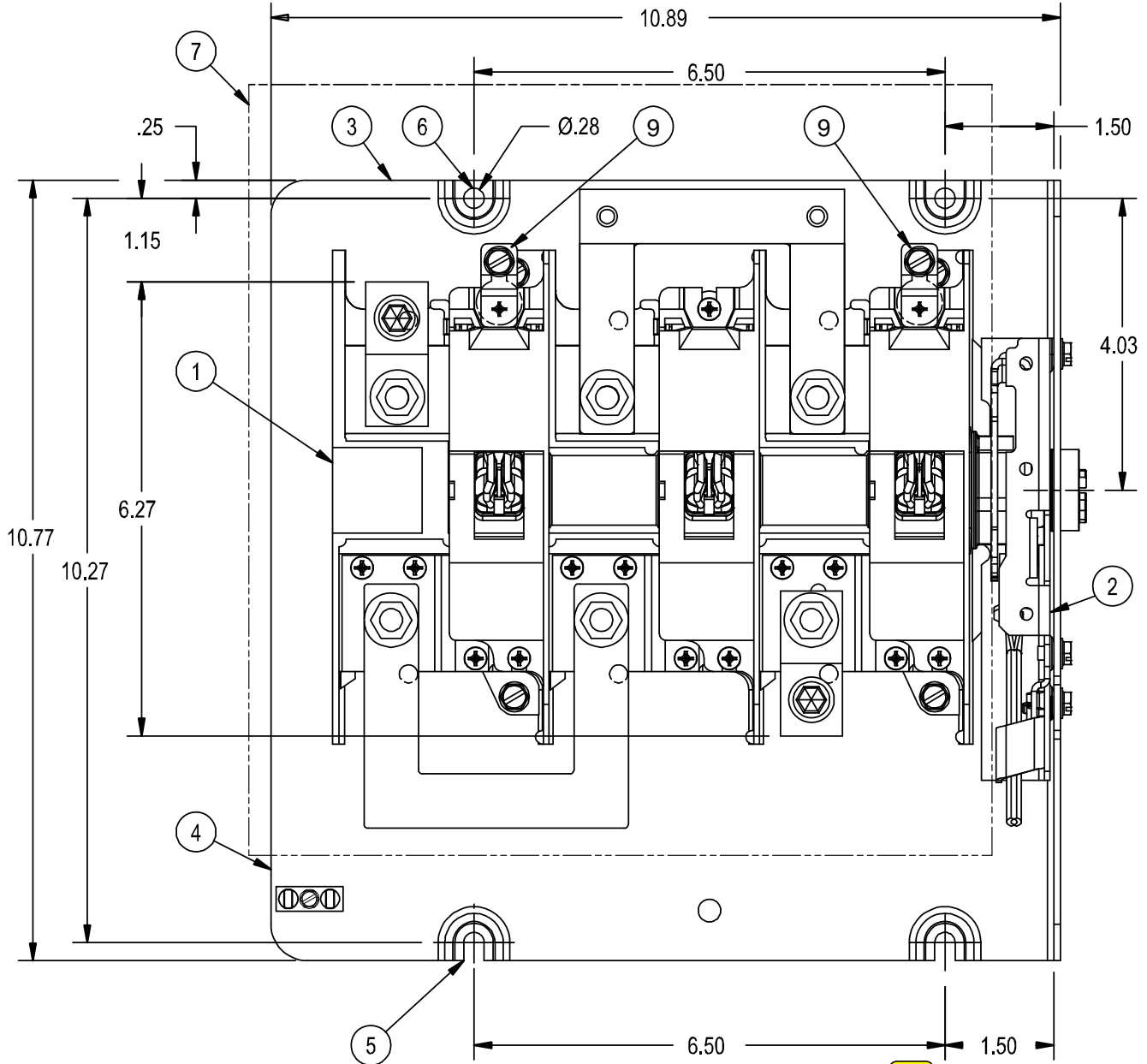
³ When tightening or replacing connectors, refer to lug mounting torque in Terminal & Wire Information Table.

Assembled in Mexico

Technical Support: Toll Free: 1-800-241-4453 Internet: <http://www.usa.siemens.com/powerdistribution>

Component Data Sheet

| | | | |
|---|--|--|---|
|  | ⚠ Danger | ⚠ Peligro | ⚠ Danger |
| | <p>Hazardous Voltage. Will cause death or serious injury.</p> <p>Turn off and lock out all power supplying this device before working on this device. Replace all covers before power supplying this device is turned on.</p> | <p>Tensión peligrosa. Puede causar la muerte o lesiones graves.</p> <p>Desenergice totalmente antes de instalar o darle servicio. Reemplace todas las barreras y cubiertas antes de energizar el interruptor.</p> | <p>Tension dangereuse. Danger de mort ou risque de blessures graves.</p> <p>Couper l'alimentation de l'appareil et barrer avant de travailler. Remplacez tous les couverts avant que l'approvisionnement de pouvoir soit alimenté.</p> |



| | |
|--|--|
| <p>1) Line Base Assembly (factory installed)</p> <p>2) Mechanism Assembly (factory installed)</p> <p>3) Mounting Pan</p> <p>4) Ground Lug Kit</p> <p>5) Flange Mounting Hole</p> | <p>6) Handle Cover Mounting Hole</p> <p>7) Clear Line Shield</p> <p>8) Pan Mounting Screws, (4) 1/4 - 20 x 1/2" (not shown)</p> <p>9) Line Shield Mounting Screws, (2) 10-32 x 5/16"</p> |
|--|--|

SIEMENS

Cat. No. VBNFS1104PV
200 Amp Maximum

Non-Fusible Panel Mounted Photovoltaic Disconnect Switch

Type VBII

1000 Volts DC (V_{DC}) Maximum

Suitable for use in NEMA Type 1/3R/12 enclosures.

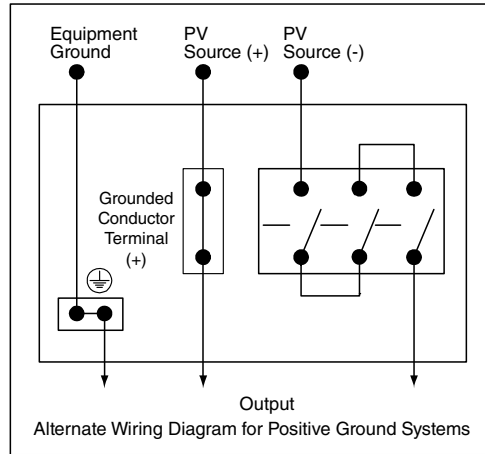
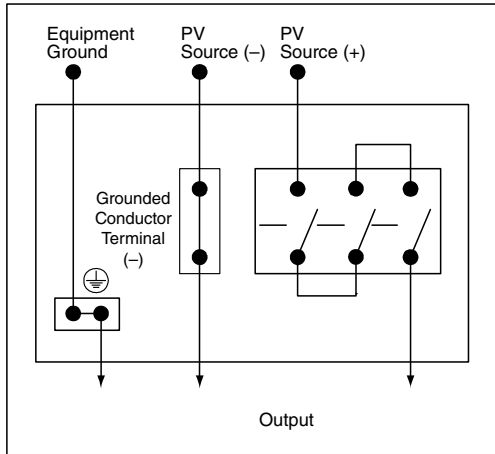
Suitable for use in accordance with NEC Article 690 for Photovoltaic Installations.

Suitable for Positive and Negative Ground Systems.

This product is intended for operation in an environment having an ambient temperature range of -20°C to 50°C

Fuse and Short Circuit Information

This switch is suitable for use on a circuit capable of delivering not more than 10,000 amperes, **1000** volts DC maximum, when protected by fuses marked with an interrupting rating of 10,000 amperes, **1000** volts DC.



Terminal Information

USE 75°C COPPER OR ALUMINUM WIRE

| Description | Wire Range | Wire Tightening Torque ³ | Lug Mounting Torque ³ |
|---|-------------------|-------------------------------------|----------------------------------|
| PV Source & Grounded Conductor Terminal | 6 AWG – 300 kcmil | 275 lb-ins. | 135 lb-ins. |

UL Listed Compression Lugs (Refer to manufacturers instructions for proper installation)

| Wire Size (AWG OR kcmil) | Burndy | | Thomas & Betts | | IlSCO | |
|--------------------------|----------------------|--------|-----------------------------------|----------------|---------------------|---------------------|
| | Cu Only | Cu/Al | Cu Only | Cu/Al | Cu Only | Cu/Al |
| 2 | YA2C-L Box YA2C | YA2CA1 | 54142-TB | 60117 | CRB-2 CRB-2L | IACL-2 ACN-2 |
| 1 | YA1C-L Box YA1C | YA1CA1 | 54147 54947BE | 60123 | CRA-1-38 CRA-1L | ACN-1 |
| 1/0 | YA25-L Box YA25 | YA25A1 | 54153-TB 54949BE | 60129 61130 | CRA-0 CRA-1/0L | IACL-1/0 ACN-1/0 |
| 2/0 | YA26-L3 YA26 | YA26A6 | 54158 / 54910BE 256-30695-1229 | 60135 61136 | CRA-2/0 CRA-2/0L | IACL-2/0 ACN-2/0 |
| 3/0 | YA27-L3 YA27 | YA27A1 | 54163-TB | 60141 61142 | CRC-3/0 CRB-3/0L | IACL-3/0 ACN-3/0 |
| 4/0 | YA28-L3 YA28-TC38 | YA28A1 | 54168 256-30695-1253 | 61148 60147 | CRC-4/0 CRB-4/0L | IACL-4/0 ACN-4/0 |
| 250 | YA29-L7 | | 54173 54913BE | 61156 | CRA-250 CRA-250L | IACL-250 |
| 300 | | | | 61162 | | |

Accessories

| | | | | | |
|-------------------------|----------|-------------------------|----------|----------------|-------|
| Aux. Switch (1NO - 1NC) | HA161234 | Aux. Switch (1NO - 1NC) | HA361234 | Copper Lug Kit | HLC64 |
| Aux. Switch (2NO - 2NC) | HA261234 | | | | |

Replacement Parts

| | | | | | |
|-----------|---|---------------------|------|-----------|---|
| Line Base | - | Replacement Lug Kit | HL64 | Load Base | - |
|-----------|---|---------------------|------|-----------|---|

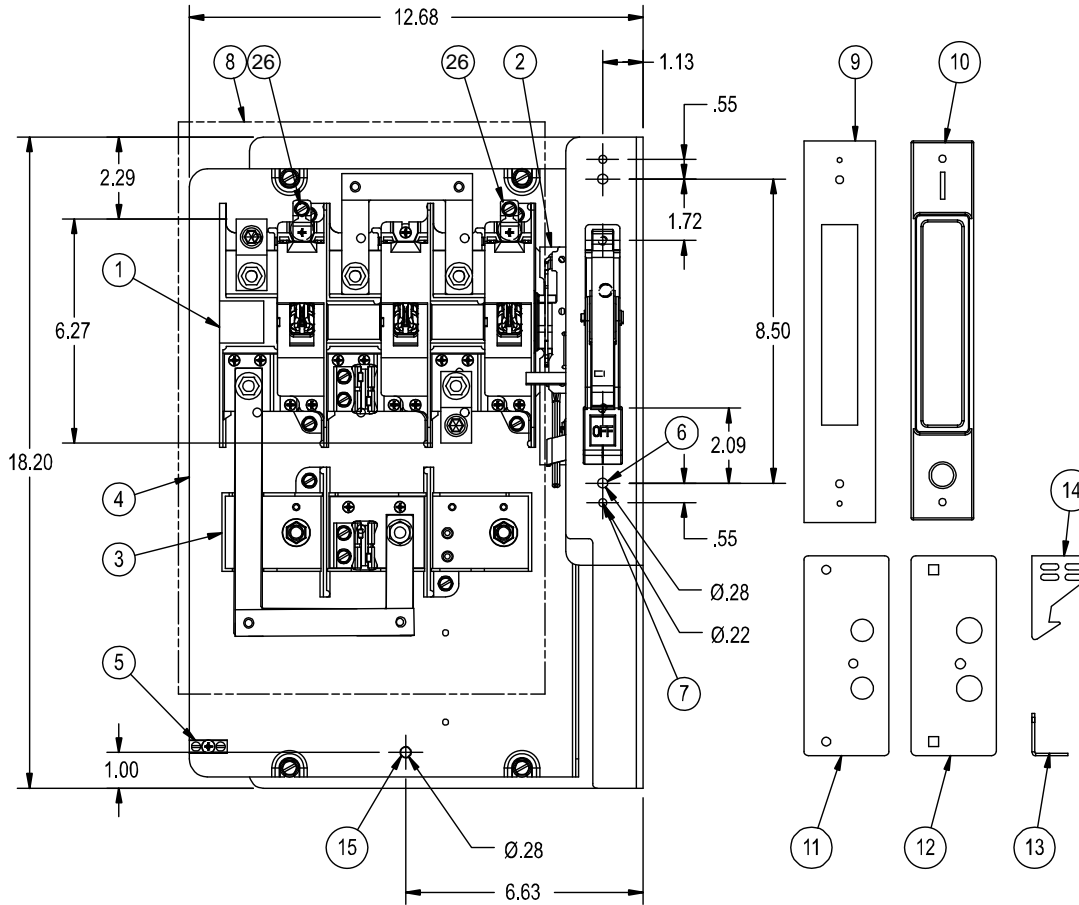
³ When tightening or replacing connectors, refer to lug mounting torque in Terminal & Wire Information Table.

Assembled in Mexico

Technical Support: Toll Free: 1-800-241-4453 Internet: <http://www.usa.siemens.com/powerdistribution>

Component Data Sheet

| | | | |
|---|--|--|--|
|  |  Danger |  Peligro |  Danger |
| | <p>Hazardous Voltage. Will cause death or serious injury.</p> <p>Turn off and lock out all power supplying this device before working on this device. Replace all covers before power supplying this device is turned on.</p> | <p>Tensión peligrosa. Puede causar la muerte o lesiones graves.</p> <p>Desenergice totalmente antes de instalar o darle servicio. Reemplace todas las barreras y cubiertas antes de energizar el interruptor.</p> | <p>Tension dangereuse. Danger de mort ou risque de blessures graves.</p> <p>Couper l'alimentation de l'appareil et barrer avant de travailler. Remplacez tous les couverts avant que l'alimentation de pouvoir soit alimenté.</p> |



| | |
|---|--|
| <ol style="list-style-type: none"> 1) Line Base Assembly (factory installed) 2) Mechanism Assembly (factory installed) 3) Load Base Assembly (factory installed) 4) Mounting Pan 5) Ground Lug 6) Flange Mounting Hole 7) Handle Cover Mounting Hole 8) Clear Line Shield 9) Handle Gasket, required for NEMA Type 12 10) Handle Cover Plate 11) Door handle gasket, required for Hoffman A-xxAB enclosures or Rittal E-xxAB enclosures 12) Door handle plate, required for Hoffman A-xxAB enclosures or Rittal E-xxAB enclosures 13) Cover Interlock Mounting Bracket 14) Cover Interlock 15) Support Mounting Hole | <p style="text-align: center;">Fasteners (not shown)</p> <ol style="list-style-type: none"> 16) Machine screws, (2) 10-32 x 1", Handle cover plate 17) Machine screws, (2) 1/4-20 x 3/4", Flange mounting 18) Machine screws, (2) #8-32 X 5/16 pan head, Cover interlock 19) Bolt, (2) 1/4-20 X 5/8, round head short square neck, Door handle plate 20) Flat washers, (6) 1/4", Flange mounting, Door handle plate 21) Lock washers, (2) #10, Handle cover plate 22) Lock washers, (4) 1/4", Flange mounting, Door handle plate 23) Lock washers, external tooth, (2) #8, Cover interlock 24) Nut, (4) 1/4-20, Flange mounting, Door handle plate 25) Nut, (2) 10-32, Handle cover plate 26) Line Shield Mounting Screws, (2) 10-32 x 5/16" |
|---|--|

SIEMENS

Cat. No. VBFS1104FPV Fusible Flange Mounted Photovoltaic Disconnect Switch
200 Amp Maximum
Suitable for use in NEMA Type 1/3R/12 enclosures.
Suitable for use in accordance with NEC Article 690 for Photovoltaic Installations.
Suitable for Positive and Negative Ground Systems.

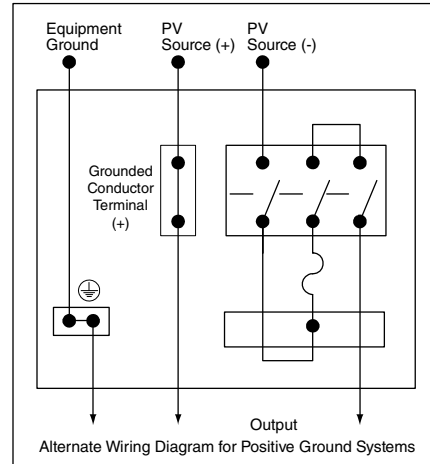
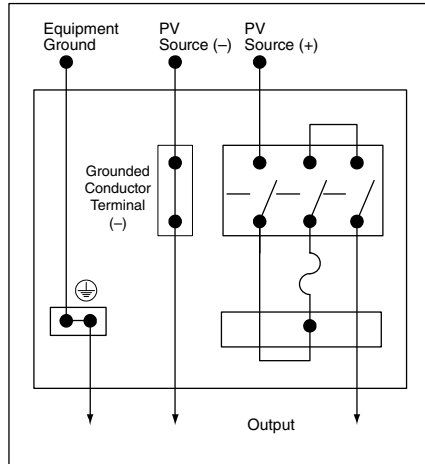
Type VBII
1000 Volts DC (V \Rightarrow) Maximum

Continuous load current not to exceed 80% of the rating of fuses employed in other than motor circuits.

This product is intended for operation in an environment having an ambient temperature range of -20°C to 50°C

Fuse and Short Circuit Information

This switch is suitable for use in a PV system capable of delivering not more than 10,000 amperes, when protected by Littelfuse Type SPFJ PV fuses rated 200 amperes maximum.



Terminal Information

USE 75°C COPPER OR ALUMINUM WIRE

| Description | Wire Range | Wire Tightening Torque ³ | Lug Mounting Torque ³ |
|---|-------------------|-------------------------------------|----------------------------------|
| PV Source & Grounded Conductor Terminal | 6 AWG – 300 kcmil | 275 lb-ins. | 135 lb-ins. |

UL Listed Compression Lugs (Refer to manufacturers instructions for proper installation)

| Wire Size (AWG OR kcmil) | Burndy | | Thomas & Betts | | Ilsco | |
|--------------------------|----------------------|--------|-----------------------------------|----------------|---------------------|---------------------|
| | Cu Only | Cu/Al | Cu Only | Cu/Al | Cu Only | Cu/Al |
| 2 | YA2C-L Box YA2C | YA2CA1 | 54142-TB | 60117 | CRB-2 CRB-2L | IACL-2 ACN-2 |
| 1 | YA1C-L Box YA1C | YA1CA1 | 54147 54947BE | 60123 | CRA-1-38 CRA-1L | ACN-1 |
| 1/0 | YA25-L Box YA25 | YA25A1 | 54153-TB 54949BE | 60129 61130 | CRA-0 CRA-1/0L | IACL-1/0 ACN-1/0 |
| 2/0 | YA26-L3 YA26 | YA26A6 | 54158 / 54910BE 256-30695-1229 | 60135 61136 | CRA-2/0 CRA-2/0L | IACL-2/0 ACN-2/0 |
| 3/0 | YA27-L3 YA27 | YA27A1 | 54163-TB | 60141 61142 | CRC-3/0 CRB-3/0L | IACL-3/0 ACN-3/0 |
| 4/0 | YA28-L3 YA28-TC38 | YA28A1 | 54168 256-30695-1253 | 61148 60147 | CRC-4/0 CRB-4/0L | IACL-4/0 ACN-4/0 |
| 250 | YA29-L7 | | 54173 54913BE | 61156 | CRA-250 CRA-250L | IACL-250 |
| 300 | | | | 61162 | | |

Accessories

| | | | | | |
|-------------------------|----------|-------------------------|----------|----------------|-------|
| Aux. Switch (1NO - 1NC) | HA161234 | Aux. Switch (1NO - 1NC) | HA361234 | Copper Lug Kit | HLC64 |
| Aux. Switch (2NO - 2NC) | HA261234 | | | | |

Replacement Parts

| | | | | | |
|-----------|---|---------------------|------|-----------|---|
| Line Base | - | Replacement Lug Kit | HL64 | Load Base | - |
|-----------|---|---------------------|------|-----------|---|

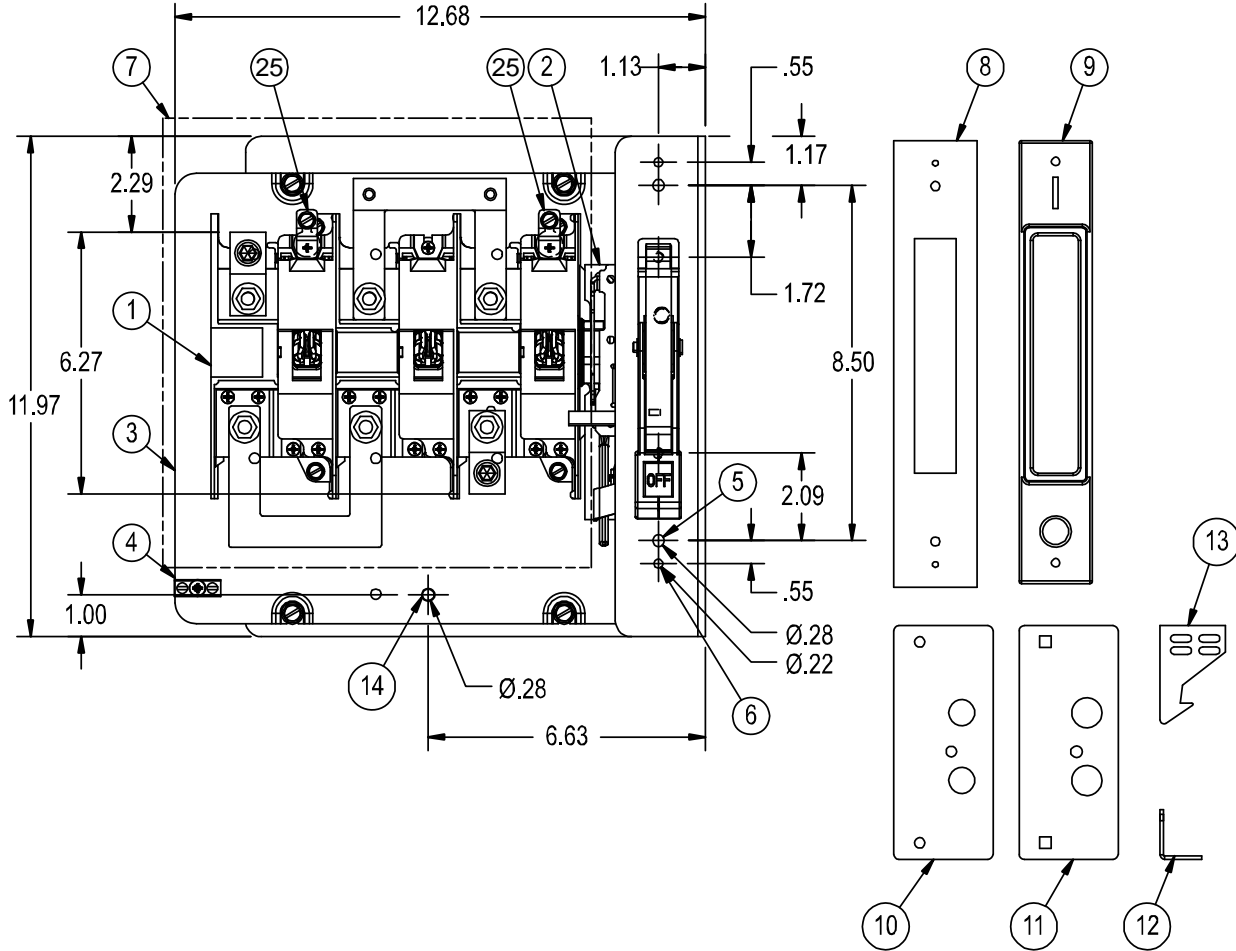
³ When tightening or replacing connectors, refer to lug mounting torque in Terminal & Wire Information Table.

Assembled in Mexico

Technical Support: Toll Free: 1-800-241-4453 Internet: <http://www.usa.siemens.com/powerdistribution>

Component Data Sheet

| | | | |
|---|--|--|--|
|  |  Danger |  Peligro |  Danger |
| | <p>Hazardous Voltage. Will cause death or serious injury.</p> <p>Turn off and lock out all power supplying this device before working on this device. Replace all covers before power supplying this device is turned on.</p> | <p>Tensión peligrosa. Puede causar la muerte o lesiones graves.</p> <p>Desenergice totalmente antes de instalar o darle servicio. Reemplace todas las barreras y cubiertas antes de energizar el interruptor.</p> | <p>Tension dangereuse. Danger de mort ou risque de blessures graves.</p> <p>Couper l'alimentation de l'appareil et barrer avant de travailler. Remplacez tous les couverts avant que l'alimentation de pouvoir soit alimenté.</p> |



| | |
|---|--|
| <ol style="list-style-type: none"> 1) Line Base Assembly (factory installed) 2) Mechanism Assembly (factory installed) 3) Mounting Pan 4) Ground Lug 5) Flange Mounting Hole 6) Handle Cover Mounting Hole 7) Clear Line Shield 8) Handle Gasket, required for NEMA Type 12 9) Handle Cover Plate 10) Door handle gasket, required for Hoffman A-xxAB enclosures or Rittal E-xxAB enclosures 11) Door handle plate, required for Hoffman A-xxAB enclosures or Rittal E-xxAB enclosures 12) Cover Interlock Mounting Bracket 13) Cover Interlock 14) Support Mounting Hole | <p style="text-align: center;">Fasteners (not shown)</p> <ol style="list-style-type: none"> 15) Machine screws, (2) 10-32 x 1", Handle cover plate 16) Machine screws, (2) 1/4-20 x 3/4", Flange mounting 17) Machine screws, (2) #8-32 X 5/16 pan head, Cover interlock 18) Bolt, (2) 1/4-20 X 5/8, round head short square neck, Door handle plate 19) Flat washers, (6) 1/4", Flange mounting, Door handle plate 20) Lock washers, (2) #10, Handle cover plate 21) Lock washers, (4) 1/4", Flange mounting, Door handle plate 22) Lock washers, external tooth, (2) #8, Cover interlock 23) Nut, (4) 1/4-20, Flange mounting, Door handle plate 24) Nut, (2) 10-32, Handle cover plate 25) Line Shield Mounting Screws, (2) 10-32 x 5/16" |
|---|--|

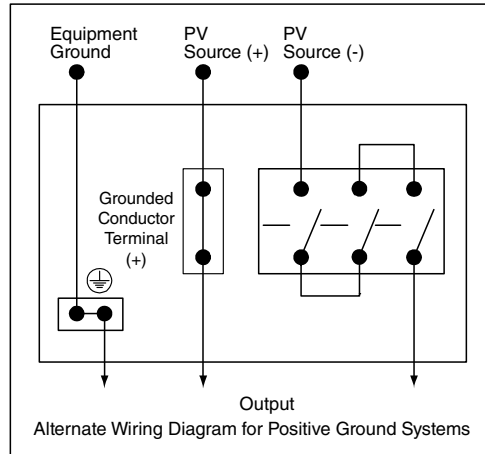
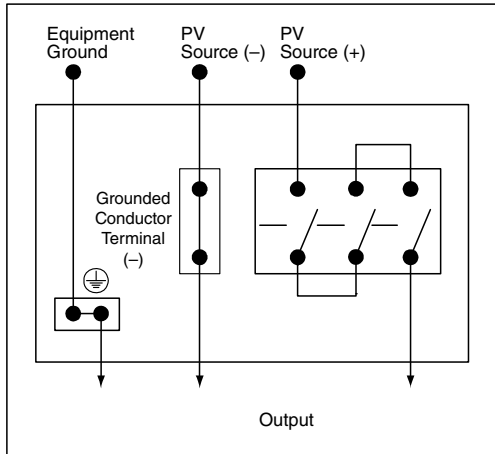
SIEMENS

Cat. No. VBNFS1104FPV Non-Fusible Flange Mounted Photovoltaic Disconnect Switch Type VBII
200 Amp Maximum 1000 Volts DC (V ≡) Maximum
 Suitable for use in NEMA Type 1/3R/12 enclosures.
 Suitable for use in accordance with NEC Article 690 for Photovoltaic Installations.
 Suitable for Positive and Negative Ground Systems.

This product is intended for operation in an environment having an ambient temperature range of -20°C to 50°C

Fuse and Short Circuit Information

This switch is suitable for use on a circuit capable of delivering not more than 10,000 amperes, **1000** volts DC maximum, when protected by fuses marked with an interrupting rating of 10,000 amperes, **1000** volts DC.



Terminal Information

USE 75°C COPPER OR ALUMINUM WIRE

| Description | Wire Range | Wire Tightening Torque ³ | Lug Mounting Torque ³ |
|---|-------------------|-------------------------------------|----------------------------------|
| PV Source & Grounded Terminal Conductor | 6 AWG – 300 kcmil | 275 lb-ins. | 135 lb-ins. |

UL Listed Compression Lugs (Refer to manufacturers instructions for proper installation)

| Wire Size (AWG OR kcmil) | Burdndy | | Thomas & Betts | | IlSCO | |
|--------------------------|----------------------|--------|-----------------------------------|----------------|---------------------|---------------------|
| | Cu Only | Cu/Al | Cu Only | Cu/Al | Cu Only | Cu/Al |
| 2 | YA2C-L Box YA2C | YA2CA1 | 54142-TB | 60117 | CRB-2 CRB-2L | IACL-2 ACN-2 |
| 1 | YA1C-L Box YA1C | YA1CA1 | 54147 54947BE | 60123 | CRA-1-38 CRA-1L | ACN-1 |
| 1/0 | YA25-L Box YA25 | YA25A1 | 54153-TB 54949BE | 60129 61130 | CRA-0 CRA-1/0L | IACL-1/0 ACN-1/0 |
| 2/0 | YA26-L3 YA26 | YA26A6 | 54158 / 54910BE 256-30695-1229 | 60135 61136 | CRA-2/0 CRA-2/0L | IACL-2/0 ACN-2/0 |
| 3/0 | YA27-L3 YA27 | YA27A1 | 54163-TB | 60141 61142 | CRC-3/0 CRB-3/0L | IACL-3/0 ACN-3/0 |
| 4/0 | YA28-L3 YA28-TC38 | YA28A1 | 54168 256-30695-1253 | 61148 60147 | CRC-4/0 CRB-4/0L | IACL-4/0 ACN-4/0 |
| 250 | YA29-L7 | | 54173 54913BE | 61156 | CRA-250 CRA-250L | IACL-250 |
| 300 | | | | 61162 | | |

Accessories

| | | | | | |
|-------------------------|----------|-------------------------|----------|----------------|-------|
| Aux. Switch (1NO - 1NC) | HA161234 | Aux. Switch (1NO - 1NC) | HA361234 | Copper Lug Kit | HLC64 |
| Aux. Switch (2NO - 2NC) | HA261234 | | | | |

Replacement Parts

| | | | | | |
|-----------|---|---------------------|------|-----------|---|
| Line Base | - | Replacement Lug Kit | HL64 | Load Base | - |
|-----------|---|---------------------|------|-----------|---|

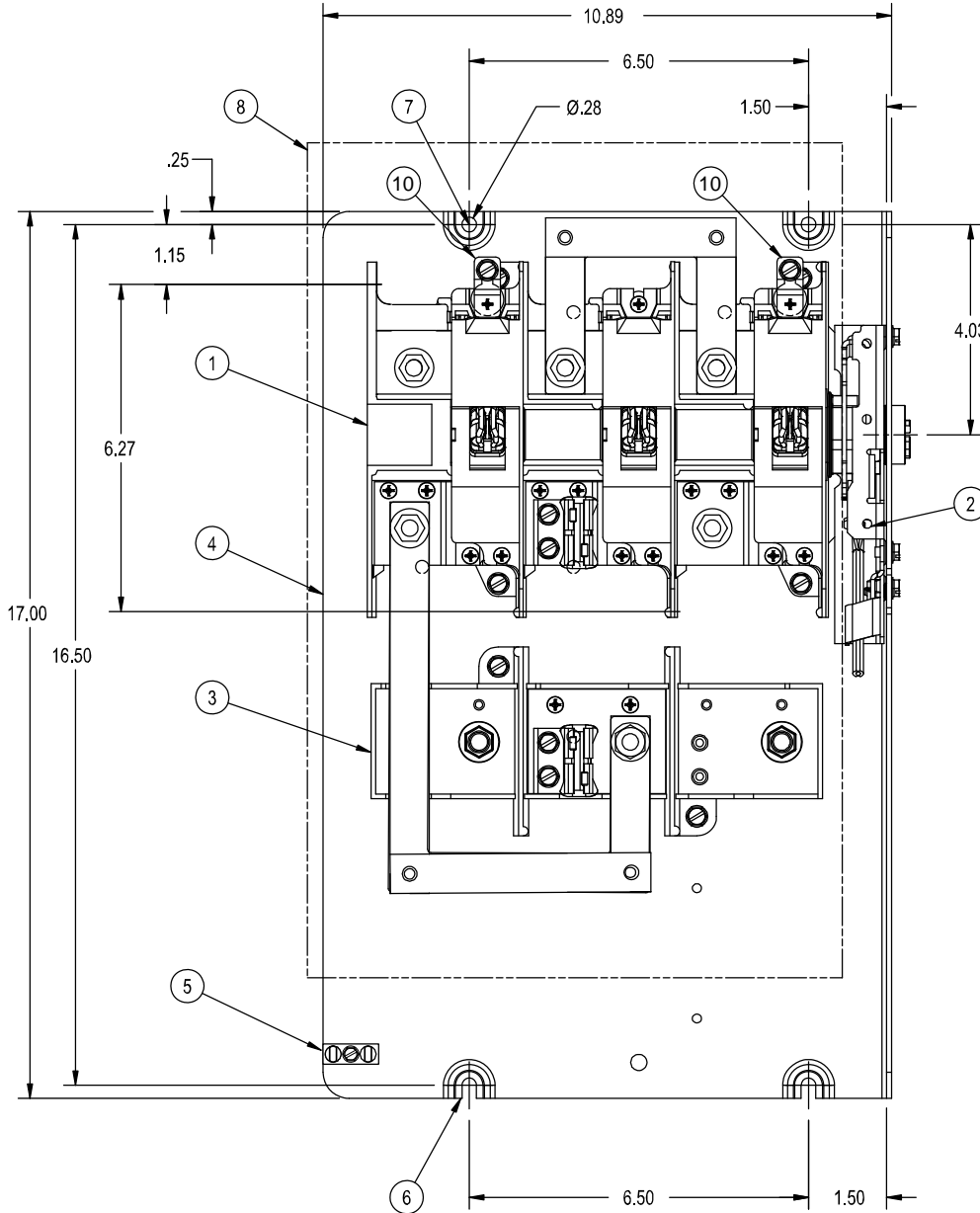
³ When tightening or replacing connectors, refer to lug mounting torque in Terminal & Wire Information Table.

Assembled in Mexico

Technical Support: Toll Free: 1-800-241-4453 Internet: <http://www.usa.siemens.com/powerdistribution>

Component Data Sheet

| | | | |
|---|--|--|--|
|  |  Danger |  Peligro |  Danger |
| | <p>Hazardous Voltage. Will cause death or serious injury.</p> <p>Turn off and lock out all power supplying this device before working on this device. Replace all covers before power supplying this device is turned on.</p> | <p>Tensión peligrosa. Puede causar la muerte o lesiones graves.</p> <p>Desenergice totalmente antes de instalar o darle servicio. Reemplace todas las barreras y cubiertas antes de energizar el interruptor.</p> | <p>Tension dangereuse. Danger de mort ou risque de blessures graves.</p> <p>Couper l'alimentation de l'appareil et barrer avant de travailler. Remplacez tous les couverts avant que l'alimentation de pouvoir soit alimenté.</p> |



| | |
|--|--|
| <p>1) Line Base Assembly (factory installed)</p> <p>2) Mechanism Assembly (factory installed)</p> <p>3) Load Base Assembly (factory installed)</p> <p>4) Mounting Pan</p> <p>5) Ground Lug</p> | <p>6) Slotted Mounting Hole</p> <p>7) Mounting Hole</p> <p>8) Clear Line Shield</p> <p>9) Pan Mounting Screws, (4) 1/4x20 x 1/2" (not shown)</p> <p>10) Line Shield Mounting Screws, (2) 10-32 x 5/16"</p> |
|--|--|

SIEMENS

Cat. No. VBFS1104PVL Fusible Panel Mounted Photovoltaic Disconnect Switch
200 Amp Maximum
Suitable for use in NEMA Type 1/3R/12 enclosures.
Suitable for use in accordance with NEC Article 690 for Photovoltaic Installations.
Suitable for Positive and Negative Ground Systems.

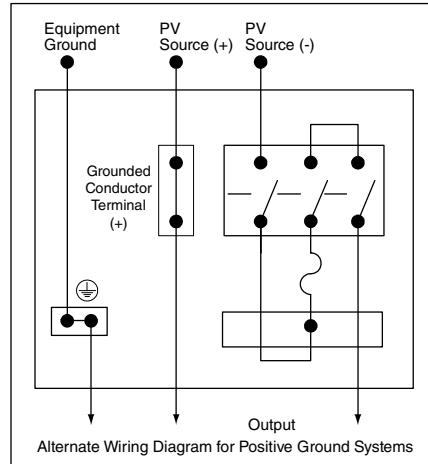
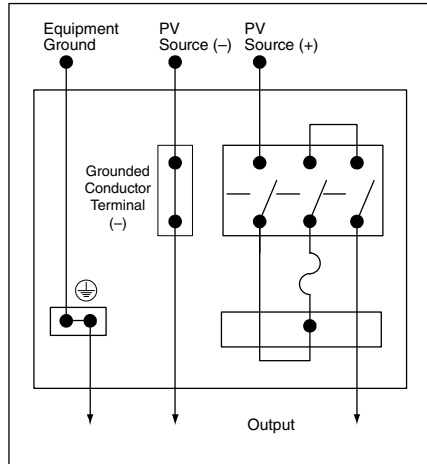
Type VBII
1000 Volts DC (V \rightleftharpoons) Maximum

Continuous load current not to exceed 80% of the rating of fuses employed in other than motor circuits.

This product is intended for operation in an environment having an ambient temperature range of -20°C to 50°C

Fuse and Short Circuit Information

This switch is suitable for use in a PV system capable of delivering not more than 10,000 amperes, when protected by Littelfuse Type SPFJ PV fuses rated 200 amperes maximum.



Terminal Information

USE 75°C COPPER OR ALUMINUM WIRE

| Description | Wire Range | Wire Tightening Torque ³ | Lug Mounting Torque ³ |
|---|-------------------|-------------------------------------|----------------------------------|
| PV Source & Grounded Conductor Terminal | 6 AWG – 300 kcmil | 275 lb-ins. | 135 lb-ins. |

UL Listed Compression Lugs (Refer to manufacturers instructions for proper installation)

| Wire Size (AWG OR kcmil) | Burndy | | Thomas & Betts | | IlSCO | |
|--------------------------|----------------------|--------|-----------------------------------|----------------|---------------------|---------------------|
| | Cu Only | Cu/Al | Cu Only | Cu/Al | Cu Only | Cu/Al |
| 2 | YA2C-L Box YA2C | YA2CA1 | 54142-TB | 60117 | CRB-2 CRB-2L | IACL-2 ACN-2 |
| 1 | YA1C-L Box YA1C | YA1CA1 | 54147 54947BE | 60123 | CRA-1-38 CRA-1L | ACN-1 |
| 1/0 | YA25-L Box YA25 | YA25A1 | 54153-TB 54949BE | 60129 61130 | CRA-0 CRA-1/0L | IACL-1/0 ACN-1/0 |
| 2/0 | YA26-L3 YA26 | YA26A6 | 54158 / 54910BE 256-30695-1229 | 60135 61136 | CRA-2/0 CRA-2/0L | IACL-2/0 ACN-2/0 |
| 3/0 | YA27-L3 YA27 | YA27A1 | 54163-TB | 60141 61142 | CRC-3/0 CRB-3/0L | IACL-3/0 ACN-3/0 |
| 4/0 | YA28-L3 YA28-TC38 | YA28A1 | 54168 256-30695-1253 | 61148 60147 | CRC-4/0 CRB-4/0L | IACL-4/0 ACN-4/0 |
| 250 | YA29-L7 | | 54173 54913BE | 61156 | CRA-250 CRA-250L | IACL-250 |
| 300 | | | | 61162 | | |

Accessories

| | | | | | |
|-------------------------|----------|-------------------------|----------|----------------|-------|
| Aux. Switch (1NO - 1NC) | HA161234 | Aux. Switch (1NO - 1NC) | HA361234 | Copper Lug Kit | HLC64 |
| Aux. Switch (2NO - 2NC) | HA261234 | | | | |

Replacement Parts

| | | | | | |
|-----------|---|---------------------|------|-----------|---|
| Line Base | - | Replacement Lug Kit | HL64 | Load Base | - |
|-----------|---|---------------------|------|-----------|---|

³ When tightening or replacing connectors, refer to lug mounting torque in Terminal & Wire Information Table.

Assembled in Mexico

Technical Support: Toll Free: 1-800-241-4453 Internet: <http://www.usa.siemens.com/powerdistribution>