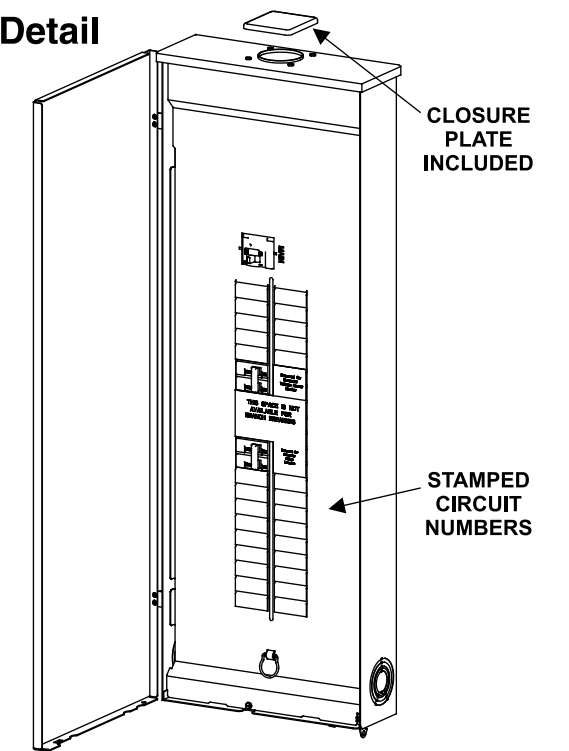


Catalog Numbers, Features and Ratings

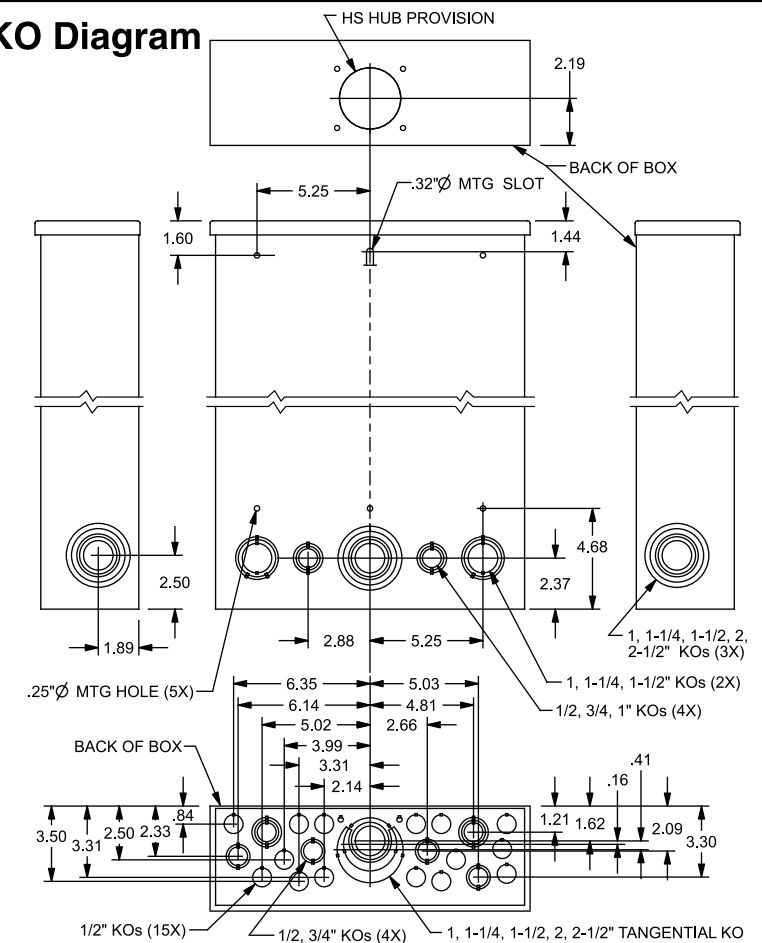
- 1 PHASE, 3 WIRE, 120/240V ~
- W3042B1200GEN: 22K AIC MAIN BREAKER FACTORY INSTALLED (SEE WIRING DIAGRAM FOR DETAILS)
- W3042L1225GEN: 100K AIC MAX. RATED (SEE WIRING DIAGRAM FOR DETAILS)
- CONVERTIBLE TO MAIN LUG/ MAIN BREAKER
- TYPE N3R OUTDOOR ENCLOSURE
- ANSI 61 GRAY POWDER COATED

Catalog Number	ENCLOSURE DIMS			Amps Max	Number Spaces	Number Circuits	Bus Bar Material	Bus Bar Plating	Percent Neutrals
	L	W	D						
W3042B1200GEN	42.00	14.25	3.88	200	30	42	Copper	Tin Plated	100%
W3042L1225GEN	42.00	14.25	3.88	225	30	42	Copper	Tin Plated	100%

Trim/Door Detail



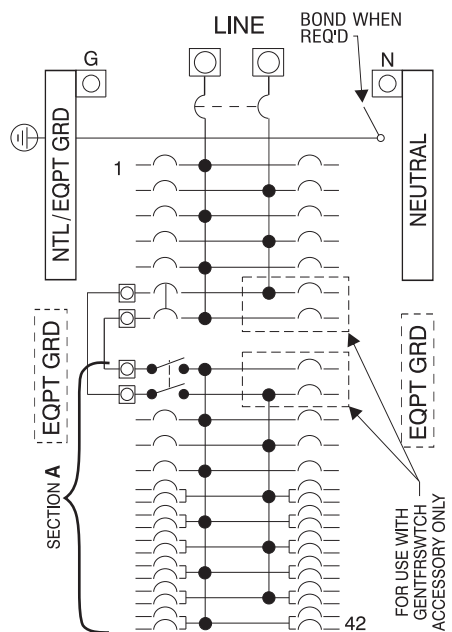
KO Diagram



SCHEMATICS

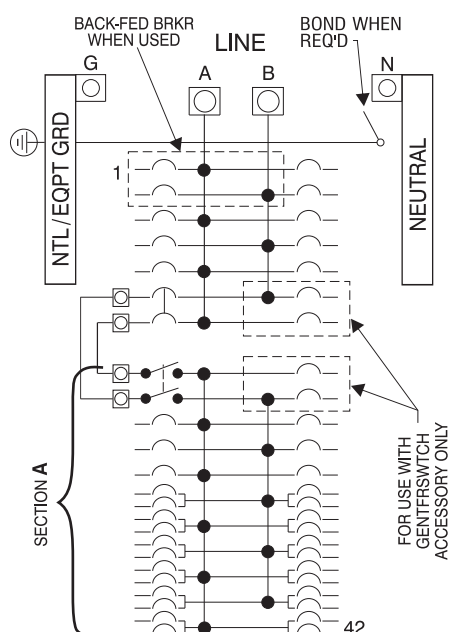
W3042B1200GEN

"SECTION A" IS RATED 125A MAX.

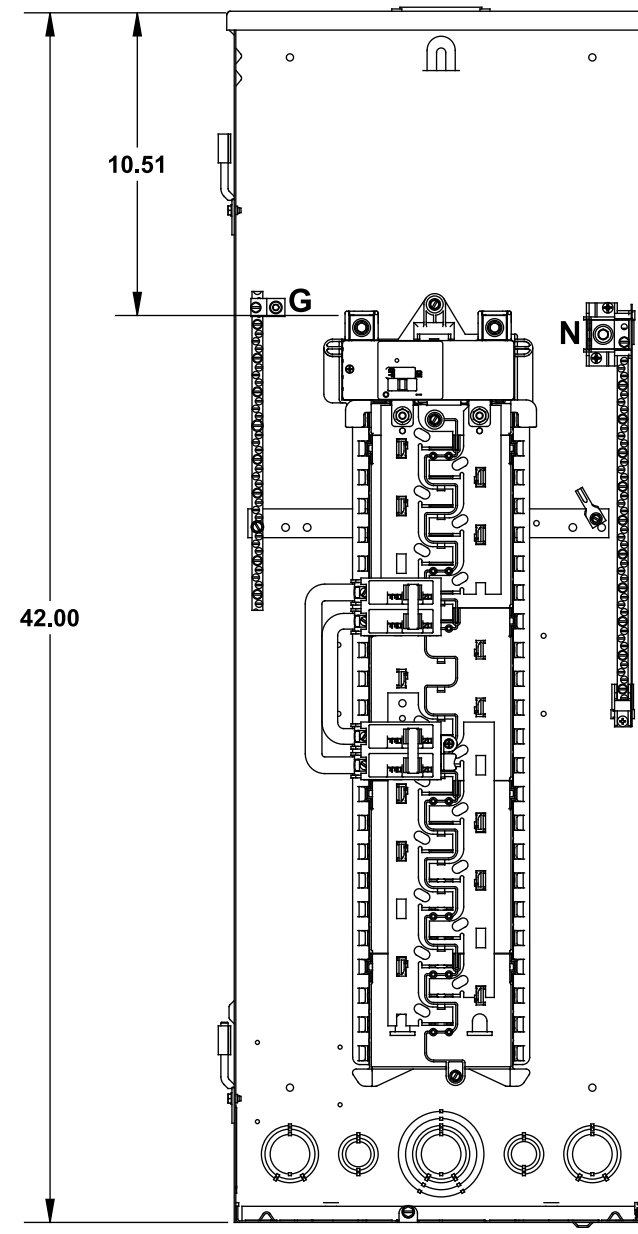


W3042L1225GEN

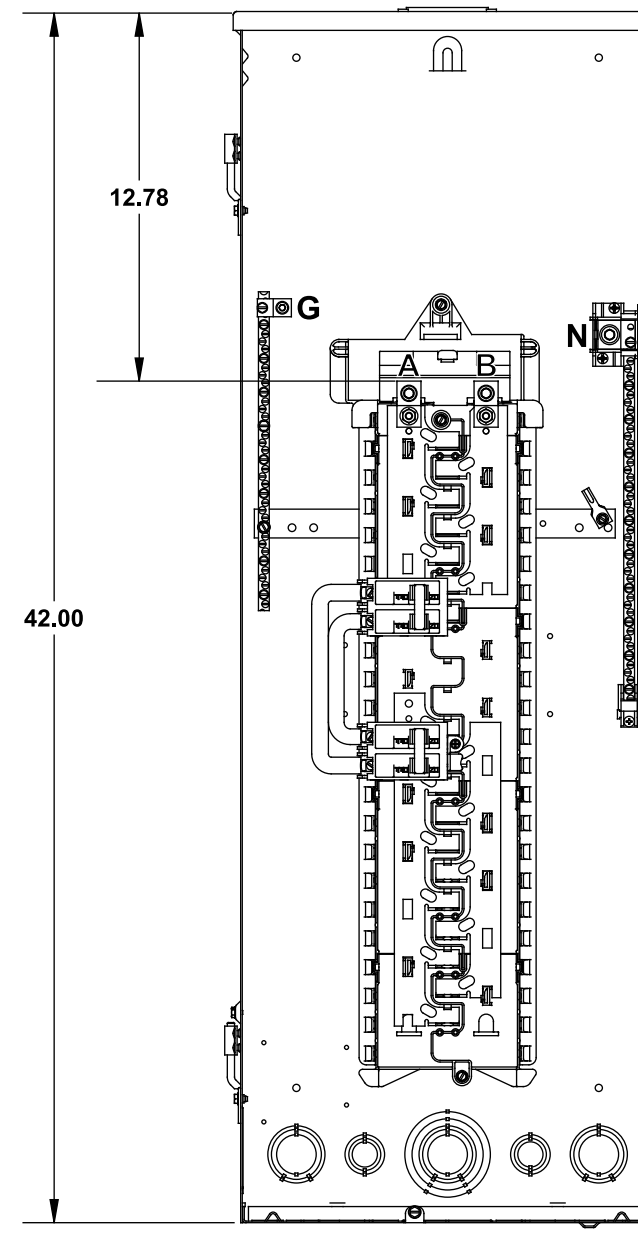
"SECTION A" IS RATED 125A MAX.



W3042B1200GEN



W3042L1225GEN



TERMINAL WIRE SIZES AND TORQUES

USE COPPER OR ALUMINUM 60°/75°C WIRE
SEE BREAKER MARKINGS FOR WIRE SIZE AND TORQUE REQUIREMENTS.

EQUIPMENT GROUND BAR
TERMINALS ARE SUITABLE FOR THE FOLLOWING WIRE COMBINATIONS:
SMALL TERMINALS: ONE 14 TO 6 AWG CU; ONE 12 TO 6 AWG AL; TWO 14 AWG CU; TWO 12 AWG CU; TWO 12 AWG AL SOLID WIRES.
LARGE TERMINALS: ONE 14 TO 2 AWG CU; ONE 12 TO 2 AWG AL; TWO OR THREE 14 AWG CU; TWO OR THREE 12 AWG CU OR AL; TWO 10 AWG CU; TWO OR THREE 10 AWG AL; THREE 10 AWG CU SOLID WHEN TORQUED TO 50 LB-IN; THREE 10 AWG CU STRANDED.

TERMINALS	WIRE	TORQUE
A, B	300 kcmil-4 AWG	275 LB-IN
N	300 kcmil-4 AWG	250 LB-IN
G	2/0 - 6 AWG	90 LB-IN
NEUTRAL AND EQPT GROUND BAR		
SMALL TERMINALS	10 - 14 AWG	20 LB-IN
	8 AWG	25 LB-IN
	6 AWG	35 LB-IN
LARGE TERMINALS	10 - 14 AWG	35 LB-IN
	8 AWG	40 LB-IN
	1/0 - 6 AWG	45 LB-IN
ECLK2SC NEUTRAL LUG KIT	2/0 - 6 AWG	50 LB-IN
MAIN LUG/MAIN BRKR TO BUS CONNECTION (1/4-20 NUT)		45 LB-IN

CONDUIT HUBS	
TRADE SIZE	CAT. NO.
1 INCH	ECHS100
1-1/4 INCH	ECHS125
1-1/2 INCH	ECHS150
2 INCH	ECHS200
2-1/2 INCH	ECHS250

ACCESSORIES

REFER TO WIRING DIAGRAM FOR CORRECT ACCESSORY USAGE

DESCRIPTION	CATALOG NO.
FILLER PLATE, 1"	QF3
BREAKER HOLD-DOWN	ECMBR2
GROUND BAR KITS	USE "ECLX" SERIES
GENERATOR TRANSFER SWITCH	GENTFRSWTCH

MAIN LUG / MAIN BREAKER KITS	
DESCRIPTION	CAT. NO.
150 AMP MAIN BREAKER	MBK150A
200 AMP MAIN BREAKER	MBK200A
225 AMP MAIN BREAKER	MBK225A
150-225 AMP MAIN LUG	ECMLK225

© 2011 Copyright Siemens Industry, Inc.

SIEMENS
Siemens Industry, Inc.

Generator Ready Load Centers

Description: **1 Phase, Outdoor,
30 Position, 42 Circuit Cut Sheet**

KAM 6/20/11 DO NOT SCALE DRAWING Dwg No: **10D_30_GEN**