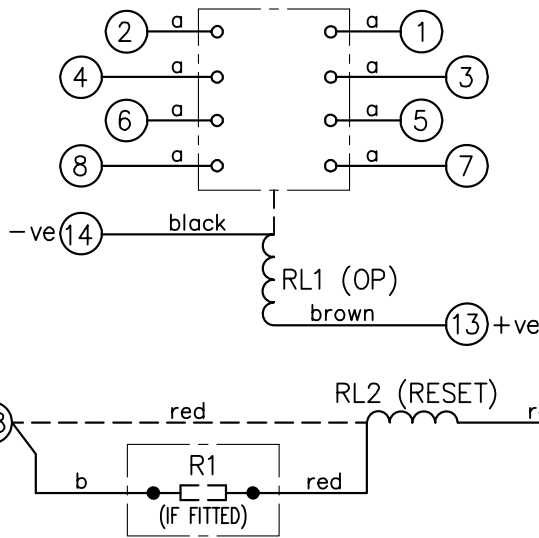


LOOKING ON FRONT OF RELAY

NOT SUBJECT TO UPDATE
ONCE COPIED / PRINTED
OR DOWNLOADED



PRINTED ON 11/07/2012
ENSURE CORRECT REVISION
DESTROY AFTER USE

NOTES:

1. RESET COILS ARE NOT CONTINUOUSLY RATED. IT IS RECOMMENDED THAT A N.O. CONTACT IS CONNECTED IN SERIES WITH THE RESET COIL
2. DASHED LINE ---- SHOWS CONNECTIONS WHEN RESISTORS ARE NOT FITTED.

ASSEMBLY WIRES USED		
a	2107B10002	8 OFF
b	2107D10181	1 OFF
c	2107D10164	4 OFF

KEY	
	make contact
	break contact
	c/o contact
	ext. conn
	plug bridge - shorting
	metering point
	5Kv barrier
	test socket - shorting
	plug & socket

RL2 (RESET) KIT	SOLKIT:6V	SOLKIT:6V	SOLKIT:6V	SOLKIT:12V	SOLKIT:36V	SOLKIT:36V
RL1 (OP) COIL	2112G20019	2112G20020	2112G20022	2112G20023	2112G20026	2112G20029
R1	NIL	2102C15687	2102C25180	2102C15270	NIL	2102C15471
Volts dc	24	30	48	60	125	240
CONTACT CONFIG.	OUTPUT CONTACT PAIR / TERMINAL No.					
	1-3	2-4	5-7	6-8	9-11	10-12
4M	M	M	M	M		
3M 1B	M	B	M	M		
2M 2B	B	B	M	M		
1M 3B	B	B	M	B		
	4B	B	B	B		

NOTE: WHEN RECTIFIER IS SPECIFIED COIL CONNS. ARE AS SHOWN, (AC APPLICATIONS ONLY).

OPERATION

RESET

FRAME REFERENCE: E2FAQM.

FRAME TERMINAL BLOCK ASSY: -

ASSEMBLY INSTRUCTIONS: -
TYPICAL ASSEMBLY DRAWING 2995G10032.
AT INDICATED POSITIONS FIT AS FOLLOWS:
T - FIT TRIP ISOLATION CONTACT 2995B10053
S - FIT STANDARD CONTACT 2995B10054
SECURE CONTACTS USING FIXING SCREW 2109F99009.
POSITIONS SHOWN BLANK ARE UNUSED

2	T	T	1
4	T	T	3
6	T	T	5
8	T	T	7
10			9
12			11
14	S	S	13
16			15
18			17
20			19
22			21
24			23
26			25
28	S	S	27

VIEW FROM NUMBERED SIDE OF BLOCK

OUTER TERMINAL BLOCK ASSY: -

ASSEMBLY INSTRUCTIONS: -
TYPICAL ASSEMBLY DRAWING 2995G10029.
AT INDICATED POSITIONS FIT AS FOLLOWS:
S - FIT STANDARD CONTACT 2995B10051
HC - FIT 'HEAVY CURRENT' KIT 2995G10030
WHERE IS SHOWN FIT CT SHORTING KIT 2995G10031
POSITIONS SHOWN BLANK ARE UNUSED.
ALL POSITIONS FIT SCREW 2106F12506.

2	S	S	1
4	S	S	3
6	S	S	5
8	S	S	7
10			9
12			11
14	S	S	13
16			15
18			17
20			19
22			21
24			23
26			25
28	S	S	27

VIEW FROM INSIDE FACE

5 RDW	03/07/12	MN11A/3479	Title. T.B. AND W.D. FOR AR1-3/AR1-6 4 CONT. RELAY IN EPSILON E2 CASE.	First used on:
4 RDW	31/05/11	MN12/3408		Similar Articles:
3 RDW	10/06/09	MN12/3151		Supersedes:
2 RDW	14/9/06	MN12/2830		Original Scale.
1	22/03/99			Drg.No.
ISSUE	DATE	MOD.No.	2112W50031	
DRAWN: A.LAW.	CHECKED:	APPROVED: R.D.WATSON	DATE: 16/07/02	Copyright © 1998 Reyrolle Ltd.