

Catalog Numbers

Catalog No.	Amperage Rating	Max. Interrupting Rating
1 PHASE, 3 WIRE, 120/240V AC MAX		
WB1900C	900	65,000
WB1900CU	900	100,000
WB11000C	1000	65,000
WB11000CU	1000	100,000
WB11200C	1200	65,000
WB11200CU	1200	100,000
3 PHASE, 4 WIRE, 240V AC MAX		
WB3900C	900	65,000
WB3900CU	900	100,000
WB31000C	1000	65,000
WB31000CU	1000	100,000
WB31200C	1200	65,000
WB31200CU	1200	100,000

Replacement Parts, Accessories, And Additional Modules

FOR USE WITH:		
Module Description	Siemens Series#	Murray Series#
Main Breakers	(W)MC, WB, WEB	DB W
Switches	WMP, WMS, WS, WES	DPT W, DT W
Tap/Terminal Boxes	WMTB, WTB, WET	DTB W
Pull Boxes	WMMB, WPB, WAPB	DPB W
Meter Module	WMM, WxMM, WMT, WML, WMK	DG W, DC_W, DL_W
Extension Box	WMEX, WSP	DS
Bussed Elbow	(W)BE	DL

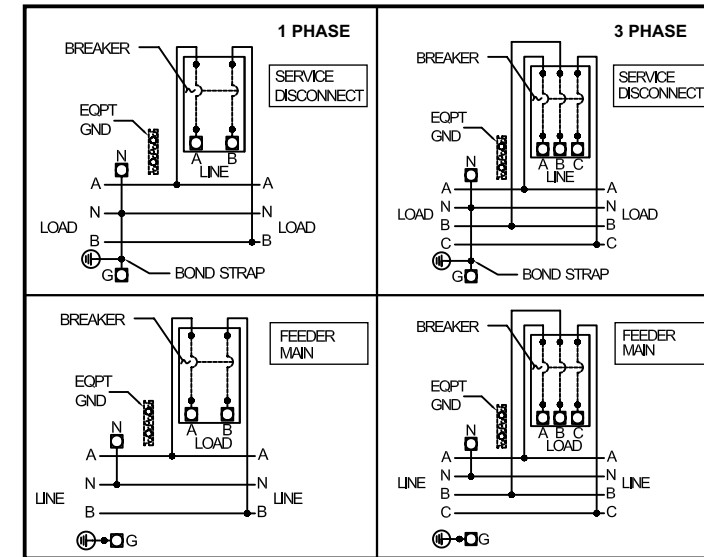
Connect Modules Using	Catalog Number / Torque
QuickConnect	QC1 (1ph) or QC4 (3ph) 400-440 lb-in (35-36 ft.-lb.) Torque
Single Bolt Joint	SBJ1 (1ph) or SBJ4 (3ph) 400-480 lb-in (35-40 ft.-lb.) Torque

Siemens Accessories	Catalog Number
Hub Cover Plate	EC56933S
Type HD Hub 3"	EC56856
Type HD Hub 3-1/2"	EC56857
Type HD Hub 4"	EC56858
GND Bar Kit	ECLX069M
Lug Landing Pad	LLP1200 (lugs ordered separately) UNDERGROUND USE ONLY

Breaker Lug Kits				
Lug Kit	MFG	Wire Range	No. Wires per phase	Torque (lb.-in.)
Single Phase Mechanical Lug Kits				
LK14500*	Siemens	1/0-500 kcmil	4	375
LK13750	Siemens	500-750 kcmil	3	375
Three Phase Mechanical Lug Kits				
LK34500*	Siemens	1/0-500 kcmil	4	375
LK33750	Siemens	500-750 kcmil	3	375

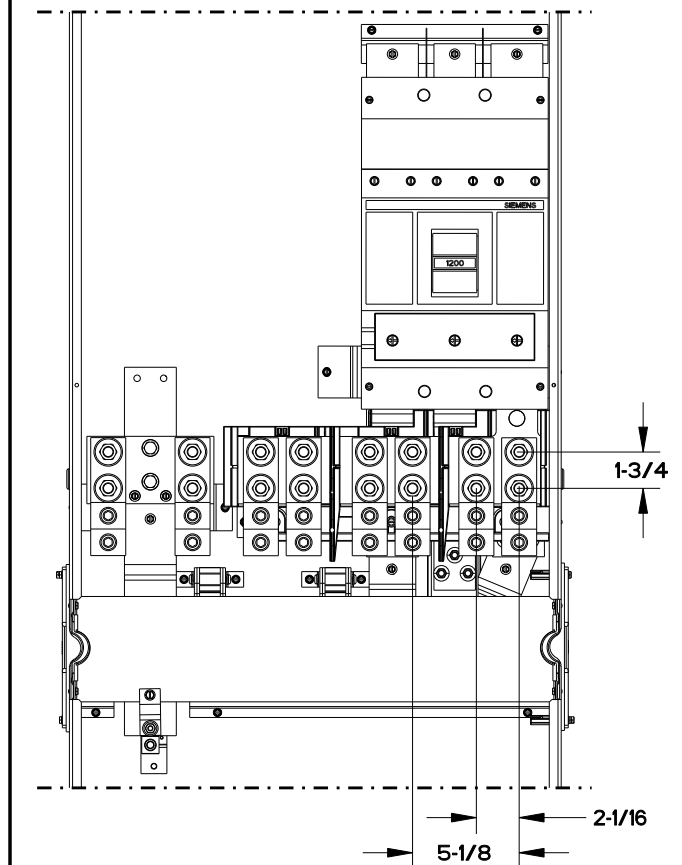
* Factory Installed

Schematics



LLP1200 Lug Landing Kit

VIEW WITH LUG LANDING KIT INSTALLED SHOWN WITH LUGS INSTALLED

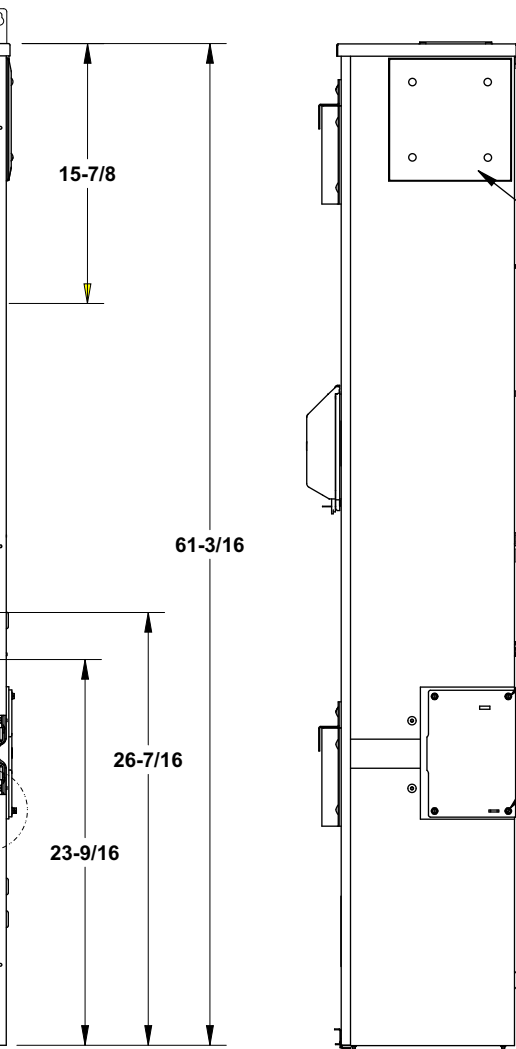
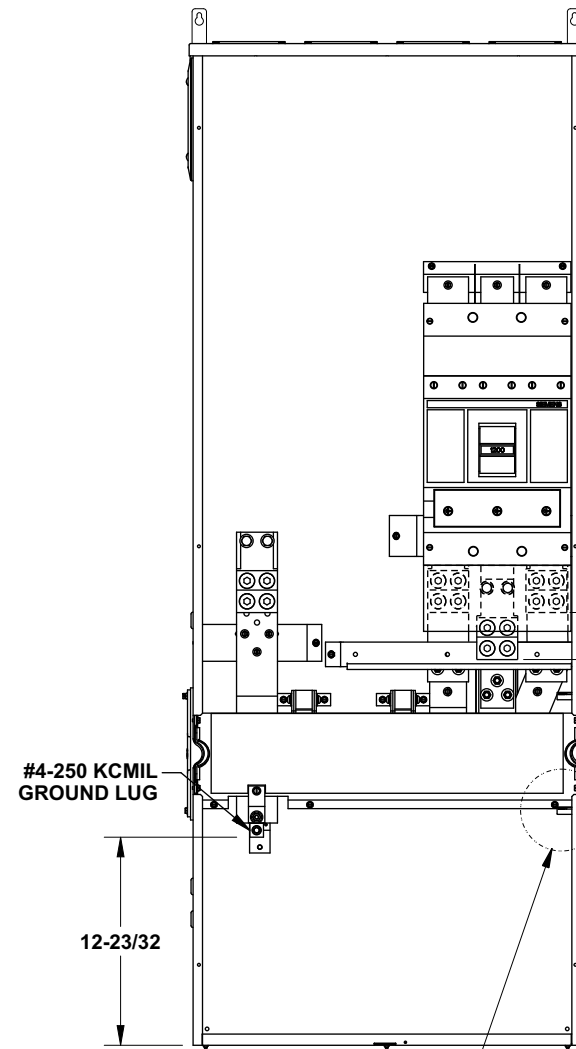
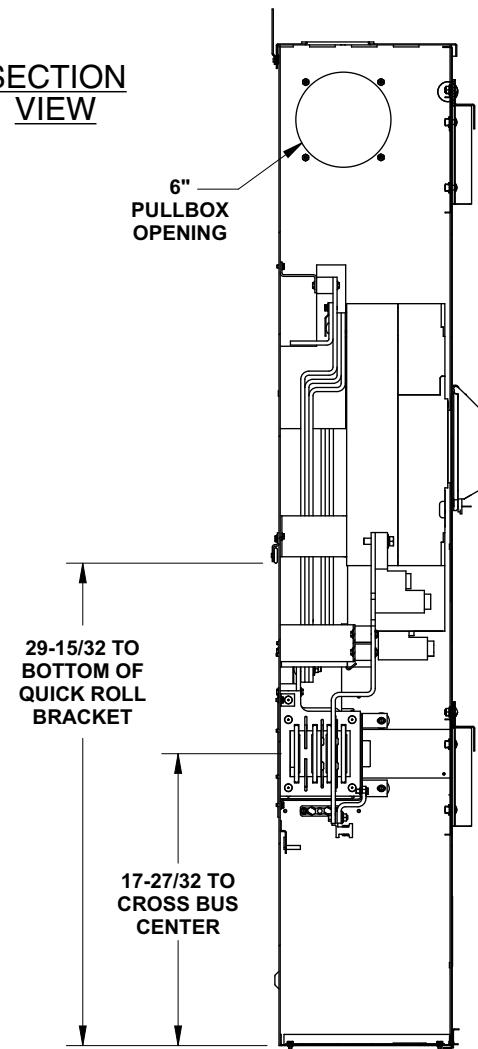


Lug Kits for LLP1200 Phase and Neutral Connections

1 Phase: Lugs for Phase and Neutral Connections (not supplied)					
NEMA Lug	MFG	Wire Range	Type	No. Wires per phase	Torque (lb.-in.)
LK13750N2	Siemens	300-750 kcmil	Mechanical	1	500 ②
LK14500N2	Siemens	1/0-500 kcmil	Mechanical	4	500
2ACL-500	ILSCO	500 kcmil	Compression	4	NA ③
2ACL-750	ILSCO	750 kcmil	Compression	3	NA ③
3 Phase: Lugs for Phase and Neutral Connections (not supplied)					
LK33750N2	Siemens	300-750 kcmil	Mechanical	1	500 ②
LK34500N2	Siemens	1/0-500 kcmil	Mechanical	4	500
2ACL-500	ILSCO	500 kcmil	Compression	4	NA ③
2ACL-750	ILSCO	750 kcmil	Compression	3	NA ③

- Order one mechanical lug kit for main breaker and neutral conversions. Contact lug manufacturer for compression lug quantities supplied for each kit.
- Kit contains more than one lug type. Reference kit instruction sheet for the actual torque value for each lug type.
- See lug manufacturer's instruction sheet supplied with the connector for tool, die, and number of crimps.

SECTION VIEW



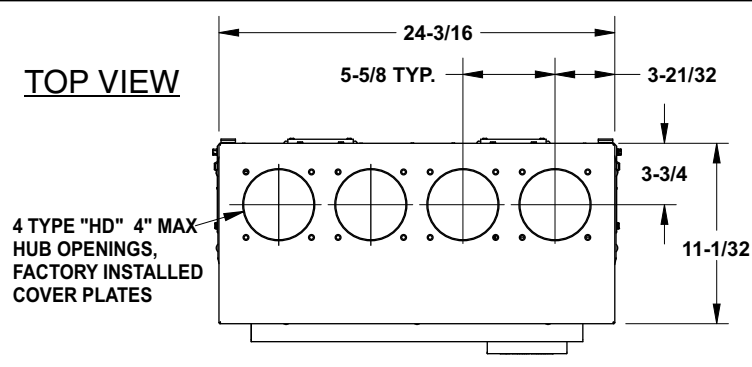
COVER PLATES PROVIDED

#10-32 x 5/8 SCREWS

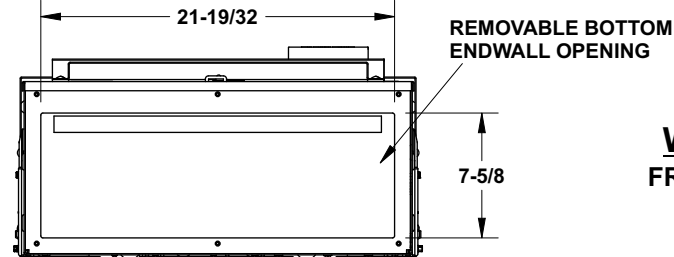
#10-32 SEALING SCREW

#4-250 KCMIL GROUND LUG

TOP VIEW

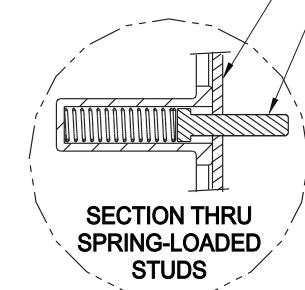


SPRING-LOADED STUDS (SEE DETAIL)



WB31200C (3 Phase) SHOWN
FRONT VIEW SHOWN WITHOUT COVER

#10-32 x 7/8 SCREWS
ENCLOSURE WALL



© 2010 Copyright Siemens Industry, Inc.

Siemens Industry, Inc.
Building Technologies Division

PowerMod™ Breaker Mains

Catalog Numbers: **WB1900C thru WB31200CU**
Service Entrance Breaker Mains

Size B Dwg. No. **900-1200A_SE_Brkr_Mains**

Dwn KAM Date 1/27/10 DO NOT SCALE DRAWING SHEET 1 OF 1