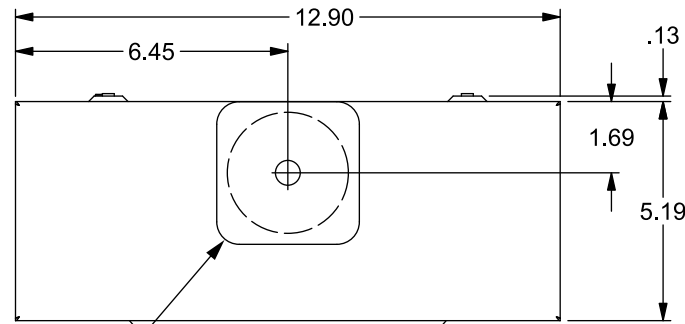


Catalog Number: N40607-025

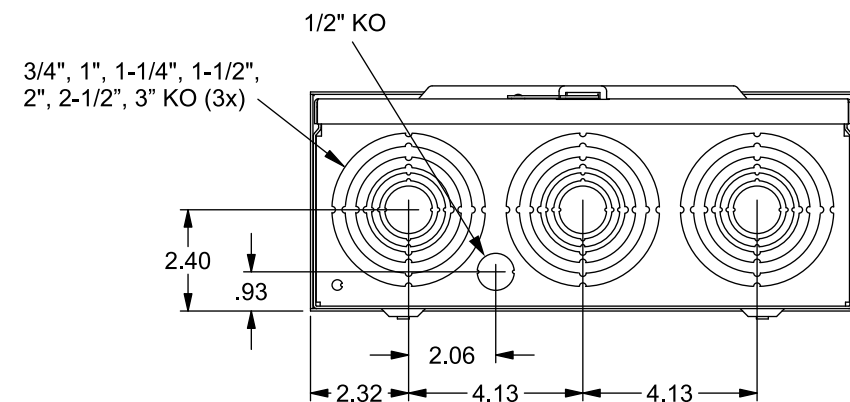
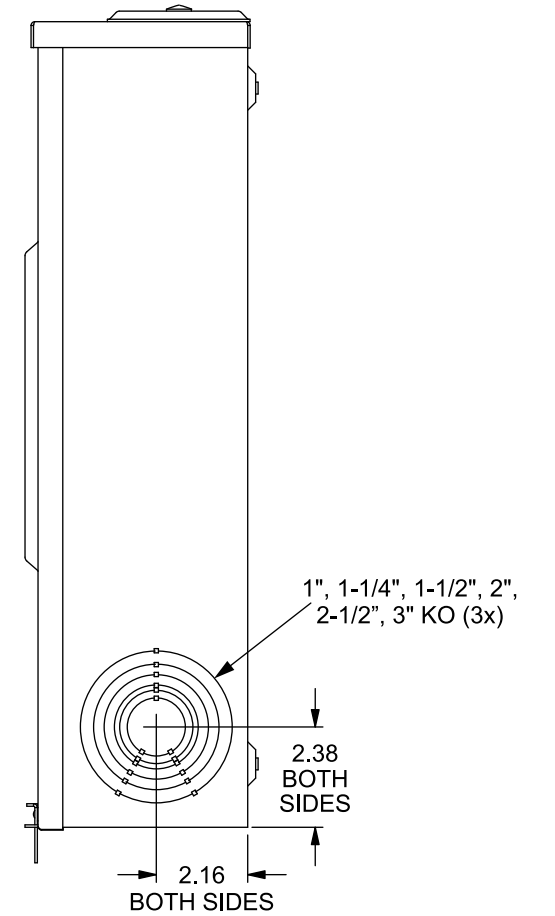
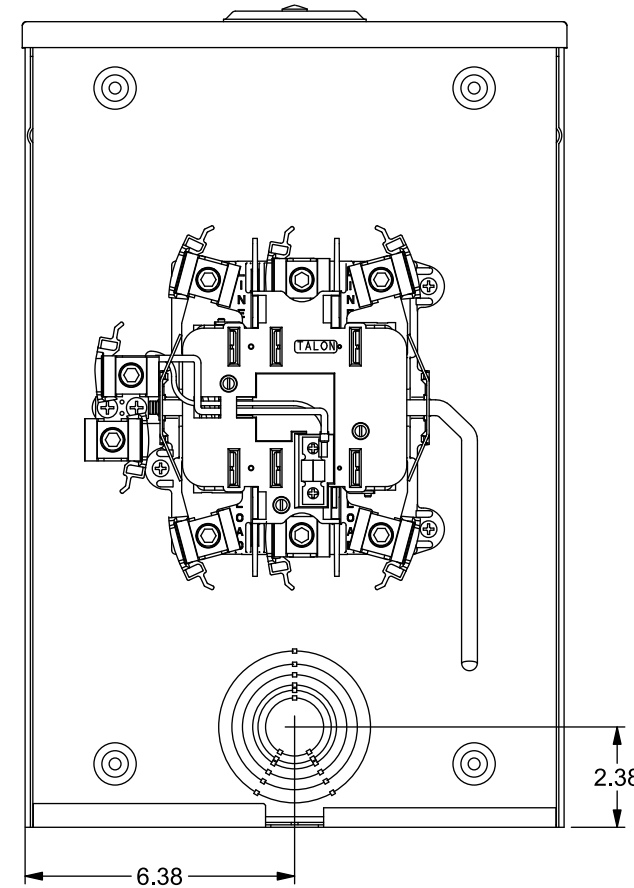
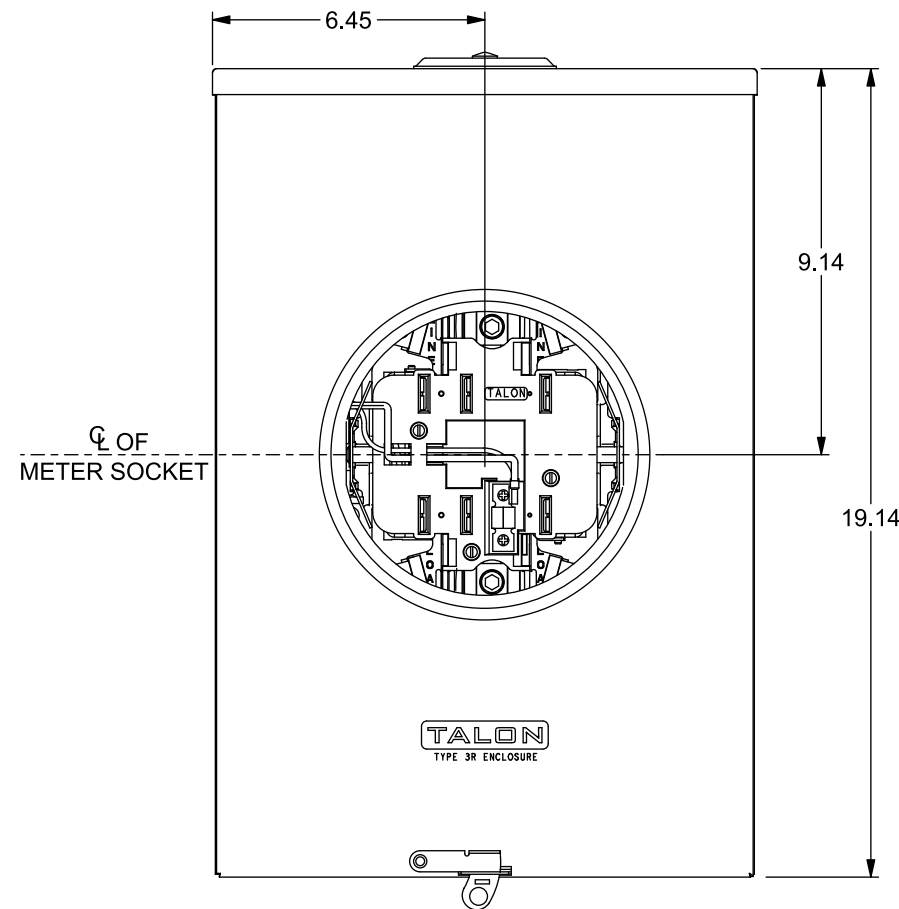
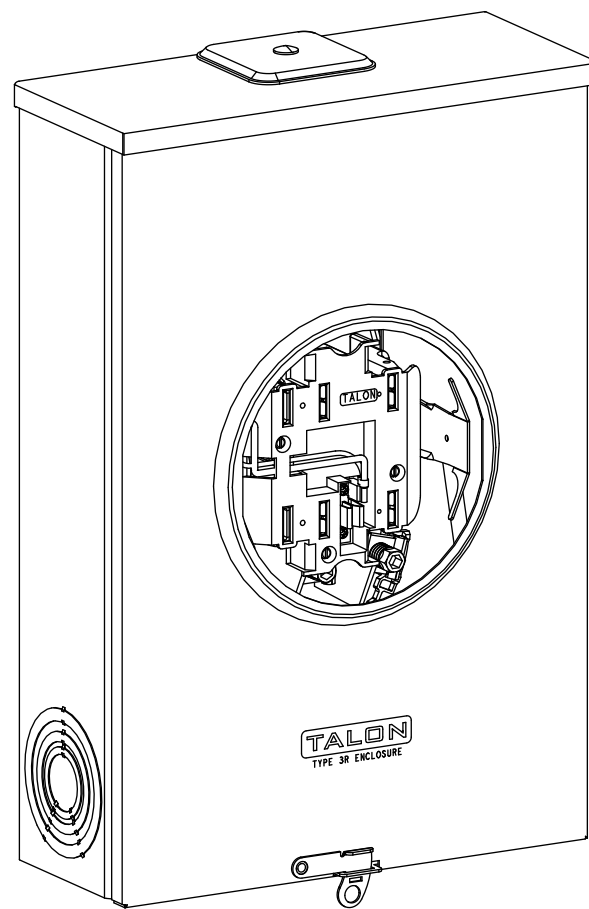
Features and Ratings

- Ringless Type Meter Socket
- 200A Continuous, 600V AC
- 3 Phase, 4 Wire
- 7 Jaw Meter Socket
- Meter Socket Type MQ-7U
- Non-Clamping Lever Bypass
- Outdoor Enclosure (NEMA Type 3R)
- Painted G90 Steel Enclosure
- For Overhead or Underground Service
- RX Type Hub Opening with Coverplate Included



TYPE RX (SMALL) HUB OPENING WITH COVERPLATE INSTALLED

VIEW SHOWN WITH COVER REMOVED



Connectors, Wire Sizes and Torques

CONNECTOR	WIRE SIZE	HEX DRIVE	TORQUE
LINE, LOAD, NEUTRAL	#6-350 kcmil	5/16"*	275 IN-LBS.

*External hex 9/16"

Accessories

CONDUIT HUBS (RX Type)	
TRADE SIZE	CATALOG No.
1-1/4 INCH	EC38597 or H38597-2
1-1/2 INCH	EC38598 or H38598-2
2 INCH	EC38599 or H38599-2
2-1/2 INCH	EC38600 or H38600-2
Hub Cover Plate	EC38595 or H38595-1

Meter Opening Cover Plate
Cat No: H659-0162
Insulated Neutral Kits
Cat. No: H64685-1, H64690-1
Ground Lug Kit
Cat. No: H55303
Wire Size #4-14
Torque 50 in-lbs.

© 2018 Copyright Siemens Industry, Inc.

TALON
Meter Socket

Description: **200A Cont, 7 Jaw, MQ-7U, OH/UG, 600V AC, Painted Steel Enclosure**

KAM 8/20/18 | DO NOT SCALE DRAWING | Dwg No: **N40607-025**