

# SIEMENS

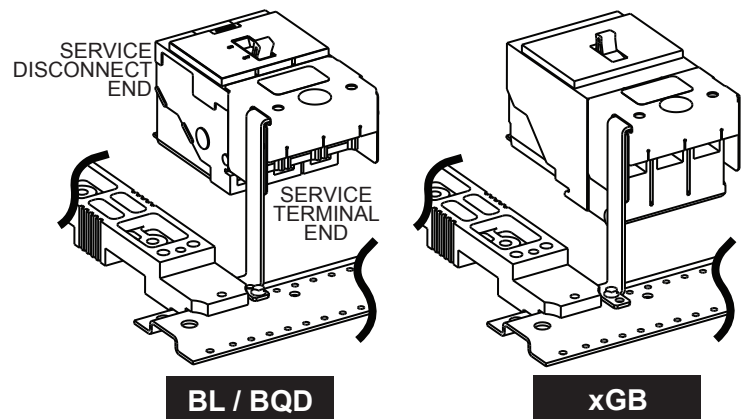
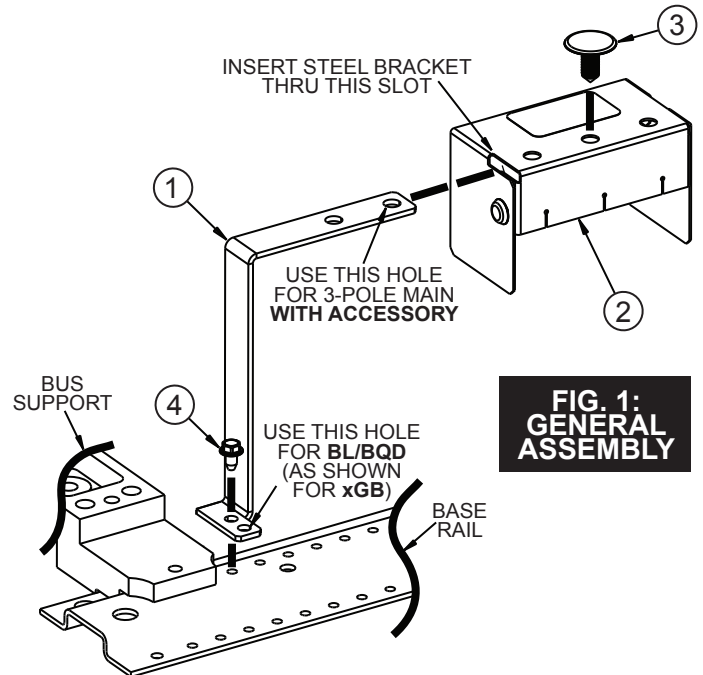
## SEBKP2V1 / SEBKP2V2

### Installation Instructions for Service Entrance Barrier Kits for BL, BQD / xGB Main Breakers in a P2 Panel



This instruction sheet is to support the field installation of a Service Entrance Barrier Kit in Siemens P2 Panelboards. Kit SEBKP2V1 is for a BL or BQD Main Breaker and kit SEBKP2V2 is for an xGB Main Breaker. This covers both single and three phase panels, either top or bottom fed.

1. Lock off ALL power supplying this equipment before working on it.
2. Remove the panelboard front cover and deadfront.
3. Slide the barrier (Item 2) loosely onto the bracket (Item 1), with the open side of barrier opposite to the bracket base mounting tab protrusion. Do NOT insert the plastic rivet (Item 3) at this time.
4. Identify the base rail on the Service Terminal End of the Service Main this will be added to. On top-fed units, the service terminals are in the upper left corner; on bottom-fed units, the service terminals are in the lower right corner.
5. Place the base of the bracket (Item 1) on the base rail hump up against the side of the Bus Support. (See Fig. 1) If the Main Breaker is Type xGB, use the INNER hole on the bracket for alignment; otherwise use the OUTER hole for Type BL/BQD.
6. Adjust the barrier on the bracket arm such that it fits snugly over the Service Terminal End of the main breaker fully covering previously exposed lugs. Insert the rivet (Item 3) through the barrier and into the bracket arm hole closest to best barrier alignment.
7. Drive the metal screw (Item 4) through the properly aligned hole (from Step 5) of the bracket base and into the base rail. Tighten the screw to 20 lb-in.
8. **Before energizing the panel**, ensure that ALL connections have been properly torqued, that the barrier is in place and secure, that the deadfront is installed and that all fillers are in place.



#### THIS KIT CONTAINS THE FOLLOWING ITEMS:

ITEM	DESCRIPTION	QTY
1	Barrier Support Bracket	1
2	Barrier Assembly	1
3	Large Plastic Ribbed Shank Rivet	1
4	#8-32 x 9/32" IHWSW Screw	1

These instructions do not purport to cover all details or variations in equipment, or to provide for every possible contingency to be met in connection with installation, operation or maintenance. Should further information be desired or should particular problems arise, which are not covered sufficiently for the purchaser's purposes, the matter should be referred to the local Siemens sales office. The contents of this Instruction manual shall not become part of or modify any prior or existing agreement, commitment or relationship. The sales contract contains the entire obligation of Siemens. The warranty contained in the contract between the parties is the sole warranty of Siemens. Any statements contained herein do not create new warranties or modify the existing warranty.

Trademarks-Unless otherwise noted, all names identified by ® are registered trademarks of Siemens AG or Siemens Industry, Inc. The remaining trademarks in this publication may be trademarks whose use by third parties for their own purposes could violate the rights of the owner.