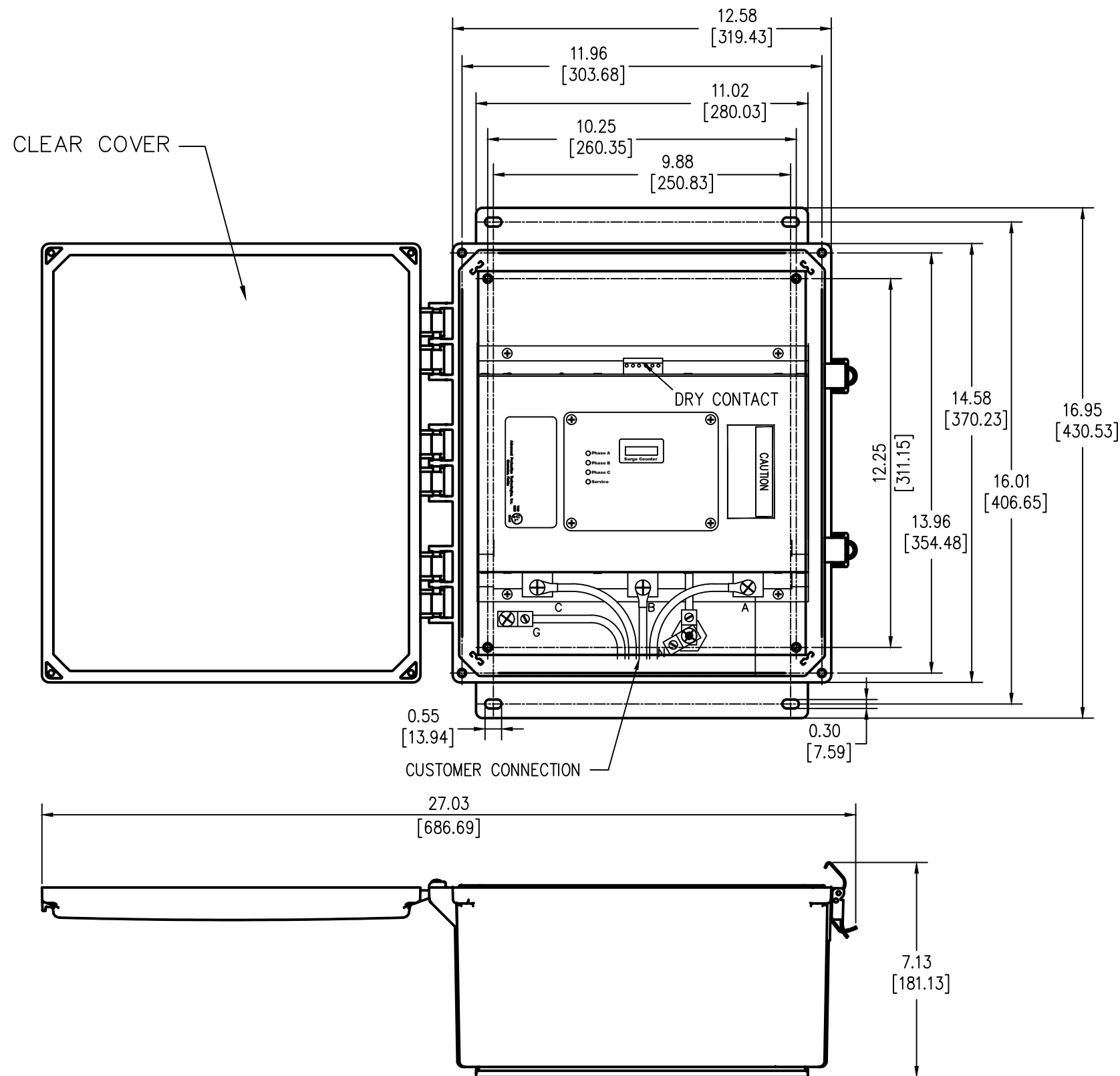


SURGE PROTECTIVE DEVICE (SPD)
WEIGHTS & DIMENSIONS
NEMA RATING: 4X NON-METALLIC



ENCLOSURE SPECS.
DESC: NON-METALLIC ENCLOSURE, HINGED
DIM: 14"H x 12"W x 7"D
MAT: POLYCARBONATE
FINISH: GRAY
NEMA RATING: 4X
DEVICE WEIGHT: 14.40LBS. (6.53KG.)

Rev	C.N.	Date	Unless otherwise specified dimensions are in inches. Tolerances are non-cumulative and are as follows unless specified otherwise.		Confidential - Property of Siemens Industry, Inc. Building Technologies Division
			.XX	± .020	
1	-	-	.XXX	± .005	TPS3-12 SERIES 400k-500k w/o DS NEMA RATING: 4X
			Angular	± 2'	
Do not scale drawing			DRAWN H. DRIGGERS 8/17/09		DWG NO. SIE_DW_TPS31250-4X REV -
ENGINEER M.J.G. 8/17/09			APPROVAL		
SCALE NONE			SHEET 1 of 1		