

BEFORE COMMENCING INSTALLATION, VERIFY THAT NO ELECTRICAL POWER IS CONNECTED TO THE SWITCH (AS IN PRODUCTION LINE ASSEMBLY) OR HAVE A QUALIFIED PERSON USE TEST EQUIPMENT TO TEST THE CIRCUIT ELEMENTS AND ELECTRICAL PARTS OF EQUIPMENT TO WHICH THE INSTALLER MAY BE EXPOSED AND DECLARE THAT THEY ARE DEENERGIZED AND POWER IS LOCKED OFF.

The LBR3025D switch mounts to the through-panel operator rather than to the panel itself, saving the need for additional panel holes. In the exploded-view assembly drawing above, the operator is a LBRH3 or H4 handle kit. Follow assembly steps 1, 2, 3 & 4 in the LBRH3 & H4 assembly instructions, then start with instruction 5 below. In a retrofit installation of the switch, where the full handle kit was previously installed, from the inside of the panel first remove the PMR716 shaft retaining collar from the handle by removing the two screws shown as 6 in the above assembly drawing. The adaptor (5 above) replaces the shaft guide collar. Skip instructions 1, 2, 3, 4 and 7. In step 8, verify the handle knob is in the OFF position as well as the switch.



GENERAL RATINGS

Max Voltage = 480VAC for Motors, Electric Discharge Lamps (Ballast), General-use & Resistive Loads.
Max Voltage = 125VDC, 2 pole break, general use.
Max Current: = 25A.

SHORT CIRCUIT WITHSTAND & CLOSING

10kA with Class H, K or RK5 fuses on the line side, up to 30A.

WIRING TERMINALS RATINGS

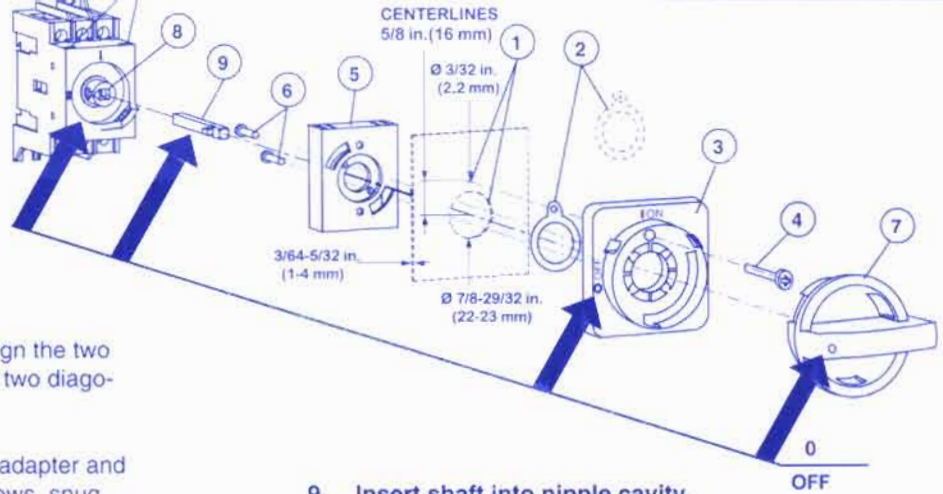
Tightening Torque = 18 lbf·in (2Nm).
Copper conductors only, 60°/75°C.
Standard one conductor per terminal:
#14 to #10 AWG solid
#14 to #6 AWG stranded.
Strip conductor insulation 7/16 inch.

MOTOR RATINGS

SUITABLE AS MOTOR DISCONNECT Suitable as Motor Controller. Design B, C, D and E motors. Switch Ampere Rating 25A. Rated Full Load Amp. (FLA) = 15.2A. Rated Locked Rotor Amp. (LRA) = 92A. Break All Lines.

HORSEPOWER RATINGS			
NOMINAL LINE VAC	ONE PHASE	2Ø, 3Ø DESIGN B, C, D	3Ø DESIGN E
110-120	¾	1 ½	1 ½
200	2	3	3
208	2	3	3
220-240	2	5	3
265	3	5	3
277	3	5	3
380-415	3	7 ½	—
440-480	5	10	7 ½

2. Remove paper cover from gasket
3. Stick bezel to panel
4. Screw bezel to panel
5. Align adaptor with bezel
6. Attach adaptor to bezel
7. Install handle (knob) in bezel
8. Verify switch is OFF
- 9-11. Insert shaft and mount switch



5. Align adaptor with bezel.

From the back of the panel, door or cover, align the two holes in the inner ring of the adapter with the two diagonally opposite holes in the bezel inside rim.

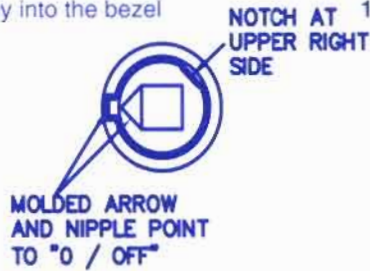
6. Attach adaptor to bezel.

Insert M3 screws into the inside rim holes of adapter and use #1 Phillips screwdriver to tighten the screws, snug only. Now tighten the top screw snug only, do not over-tighten opposite holes in the bezel inside rim.

7. Install handle (knob) in bezel.

Place handle so nipple is aligned with the large center hole in the bezel, with the handle pointer pointing to upper left between I and O markings, then press the handle to force the handle compression nipple fully into the bezel hole.

8. Verify switch and handle are OFF.



9. Insert shaft into nipple cavity.

For KS13 front-panel mounted COMPACT switch, the shaft to use is supplied in the switch box. Position the switch with I at the top, align the key pin(s) on the shaft directly pointing to the left, then slip the end of the shaft that does not have the pins into the square hole in the switch nipple.

10. Front panel switch mounting.

With the shaft inserted in the switch nipple per previous instructions, the switch and the handle OFF, and the switch positioned with I/On at the top, from the back of the panel slip the switch and shaft forward with the shaft centered in the adapter center hole. When the switch face hits the back of the adapter, press it forward into the adapter until the locking tabs at the tops and bottom of the adapter snap into the indentations at the top and bottom of the switch.