

REVISION	DATE	BY	DATE	BY
		DRAWN	14/04/12	RB
		CHEK'D		
		VERIF'D		

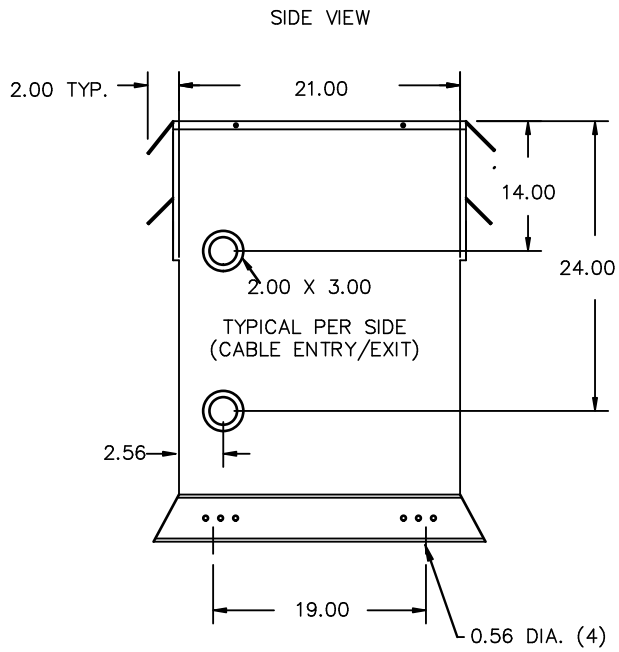
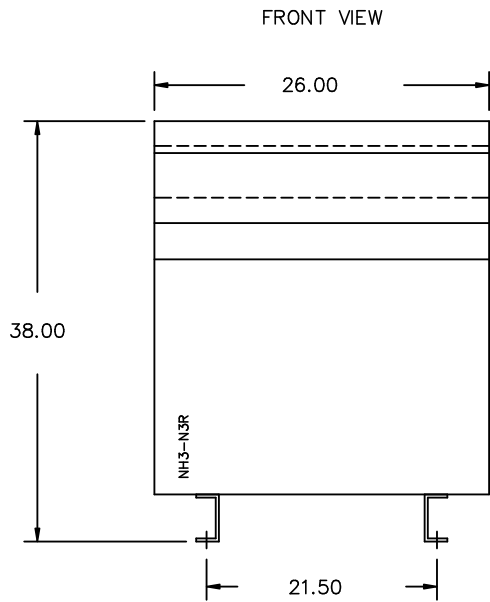
Confidential - Property of Siemens Industry, Inc. Building Technologies Division		
CUSTOMER		
ORDER NO.	DWG. NO.	
	1D1Y050ESCLN3TP1	SH 1 OF 2

SIEMENS

CATALOG NO. 1D1Y050ESCLN3TP1 SERIAL NO. 50 kVA 60 Hz 3.5 % IMP AT 170 °C 150 °C RISE 30 °C AVG. AMBIENT 220 °C TEMP CLASS 40 °C MAX. AMBIENT PRIMARY (H1 H3 H2 H4) 240X480 V SECONDARY(X4 X2 X3 X1) 120/240 V WINDING MATERIAL CU ENCLOSURE TYPE NEMA-3R WEIGHT 495 LBS ENERGY EFFICIENCY CSA C802.2-06 NEMA TP 1-2002	LISTED DISTRIBUTION TRANSFORMER 77US TYPE F LR 3902 E112313 SUITABLE FOR INDOOR OR OUTDOOR LOCATIONS DO NOT INSTALL IN AREAS ACCESSIBLE TO PUBLIC NE PAS INSTALLER DANS DES ENDROITS ACCESSIBLES AU PUBLIC FOR INSTALLATION SEE INSTRUCTION MANUAL																									
<table border="1" style="width: 100%; border-collapse: collapse;"> <tr> <th style="width: 15%;">VOLTS</th> <th style="width: 85%;">INPUT LINE ON H1 & H4</th> </tr> <tr> <td>504</td> <td>H2-1, H3-2</td> </tr> <tr> <td>492</td> <td>H3-2, H2-3</td> </tr> <tr> <td>480</td> <td>H2-3, H3-4</td> </tr> <tr> <td>468</td> <td>H3-4, H2-5</td> </tr> <tr> <td>456</td> <td>H2-5, H3-6</td> </tr> <tr> <td>444</td> <td>H3-6, H2-7</td> </tr> <tr> <td>432</td> <td>H2-7, H3-8</td> </tr> <tr> <td>252</td> <td>H2-1, H3-2</td> </tr> <tr> <td>240</td> <td>H2-3, H3-4</td> </tr> <tr> <td>228</td> <td>H2-5, H3-6</td> </tr> <tr> <td>216</td> <td>H2-7, H3-8</td> </tr> </table>			VOLTS	INPUT LINE ON H1 & H4	504	H2-1, H3-2	492	H3-2, H2-3	480	H2-3, H3-4	468	H3-4, H2-5	456	H2-5, H3-6	444	H3-6, H2-7	432	H2-7, H3-8	252	H2-1, H3-2	240	H2-3, H3-4	228	H2-5, H3-6	216	H2-7, H3-8
VOLTS	INPUT LINE ON H1 & H4																									
504	H2-1, H3-2																									
492	H3-2, H2-3																									
480	H2-3, H3-4																									
468	H3-4, H2-5																									
456	H2-5, H3-6																									
444	H3-6, H2-7																									
432	H2-7, H3-8																									
252	H2-1, H3-2																									
240	H2-3, H3-4																									
228	H2-5, H3-6																									
216	H2-7, H3-8																									
<table border="1" style="width: 100%; border-collapse: collapse;"> <tr> <th style="width: 15%;">VOLTS</th> <th style="width: 85%;">CONNECT</th> <th style="width: 15%;">OUTPUT LINE</th> </tr> <tr> <td>120</td> <td>X1-X3, X2-X4</td> <td>X1-X4</td> </tr> <tr> <td>240</td> <td>X2-X3</td> <td>X1-X4</td> </tr> <tr> <td>120/240</td> <td>X2-X3</td> <td>X1-X2-X4</td> </tr> </table>			VOLTS	CONNECT	OUTPUT LINE	120	X1-X3, X2-X4	X1-X4	240	X2-X3	X1-X4	120/240	X2-X3	X1-X2-X4												
VOLTS	CONNECT	OUTPUT LINE																								
120	X1-X3, X2-X4	X1-X4																								
240	X2-X3	X1-X4																								
120/240	X2-X3	X1-X2-X4																								

NEMA Class **ANN** Dry Type Transformer Siemens Industry, Inc. Norcross, GA dsu0082e1





All Dimensions in inches

ENCLOSURE COLOR :ANSI 61 GREY- OUTDOOR

H.V.1. TERMINAL DETAIL

L.V.1. TERMINAL DETAIL

MECHANICAL TYPE LUGS INCLUDED
SUITABLE FOR 250MCM-6 CU/AL
CONDUCTORS
1 CONDUCTOR PER PHASE

MECHANICAL TYPE LUGS INCLUDED
SUITABLE FOR 600MCM-2 CU/AL
CONDUCTORS
1 CONDUCTOR PER PHASE

CUSTOMER NOTES:

- HV1 TERMINATED AT TOP FRONT
- LV1 TERMINATED AT BOTTOM FRONT

Confidential - Property of
Siemens Industry, Inc.
Building Technologies Division

REVISION	DATE	BY	DATE	BY	CUSTOMER
			DRAWN 14/04/12	RB	
			CHEK'D		
			VERIF'D		
		ORDER NO.		DWG. NO.	
				1D1Y050ESCLN3TP1 SH 2 OF 2	