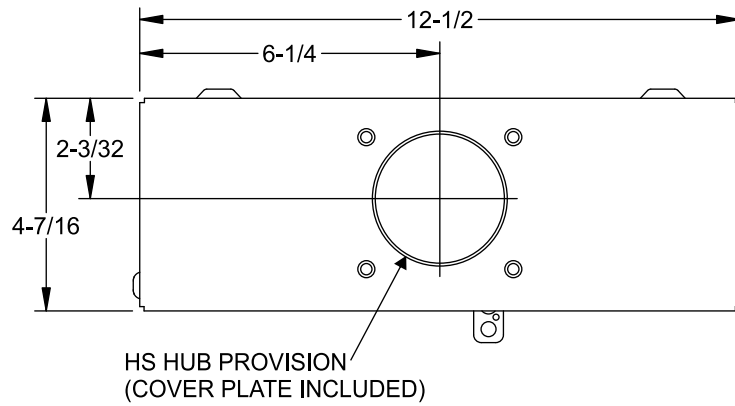


Features and Ratings

- 125 Amps Max, 1 Phase, 3 Wire, 120/240V ~
- 8 - 1" Positions, 16 Circuits Max.
- NEMA Type 3R Outdoor Enclosure
- Copper Bus Bars
- Closure Plate Included

W0816ML1125CU



TERMINAL WIRE SIZES AND TORQUES

Ground Bar Wire Size

Copper:
One #14-#4 AWG or Two or Three #14-#10 AWG.
Aluminum:
One #12-#4 AWG or Two or Three #12-#10 AWG.

Neutral Bar Wire Size

Wire Size	Torque
14-10 AWG CU	20 lb.-ins.
12-10 AWG AL	20 lb.-ins.
8 AWG CU/AL	25 lb.-ins.
6 AWG CU/AL	35 lb.-ins.
4 AWG CU/AL	45 lb.-ins.

Line Terminals L and N Suitable for 60°/75°C conductors. Wire size: Copper and Aluminum #4-2/0 AWG. Torque terminals to 45 lb.-ins.

Load Terminals See markings on breaker for torque requirements and conductor rating.

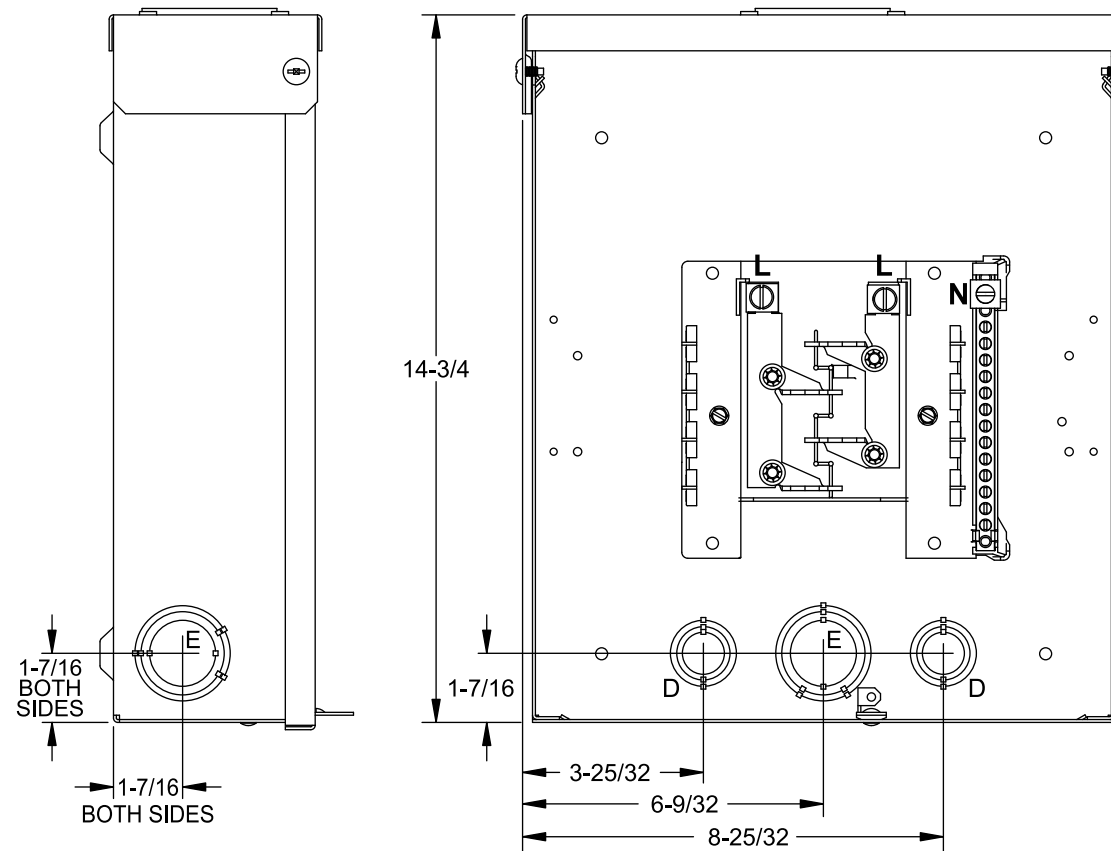
ECLK1-2 Lug Kit Suitable for 60°/75°C conductors. Wire size: Copper and Aluminum #4-2/0 AWG. Torque terminals to 45 lb.-ins.

ACCESSORIES

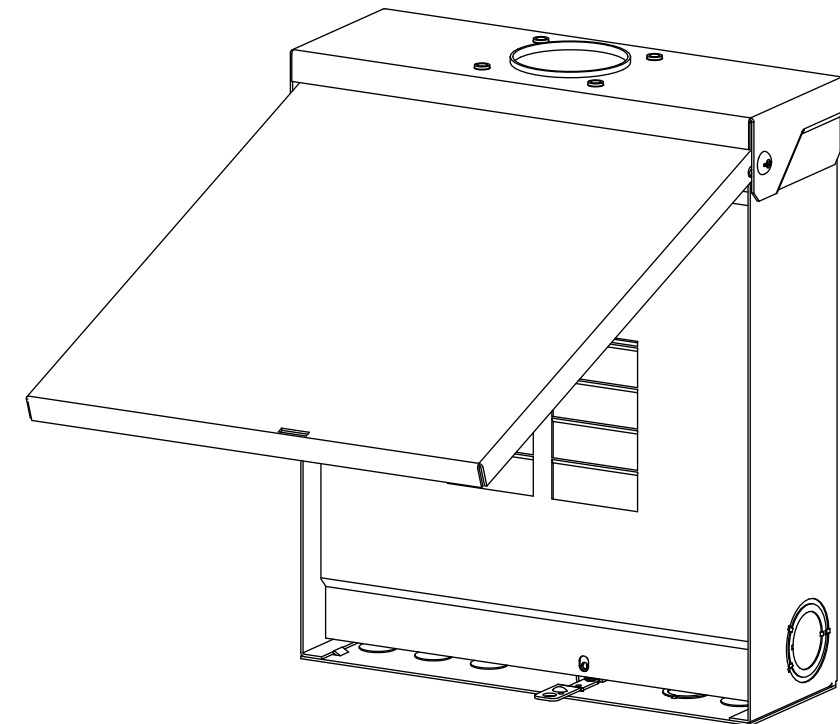
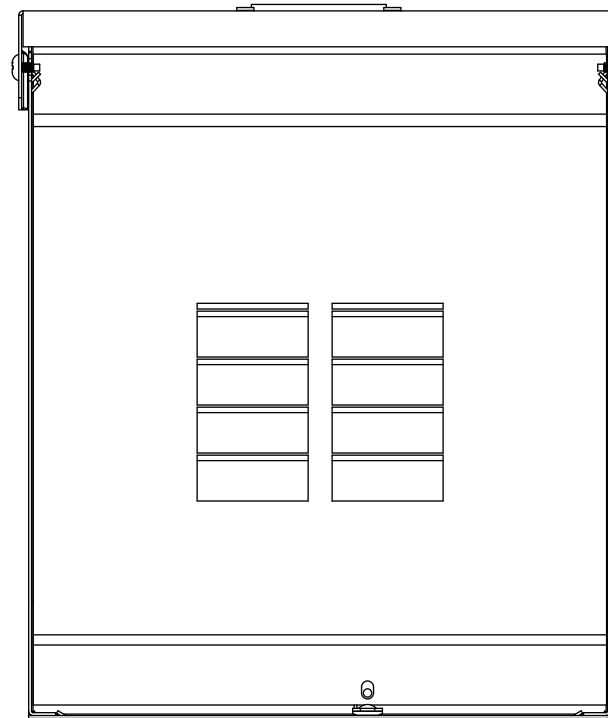
Accessory Kits:
Equipment Ground Bars: Series "ECGB"
Filler Plate: ECQF3
Breaker Hold Down: ECMBR1
2/0 Branch Neutral Terminals: ECLK1, ECLK2
Interlock Kits: ECSBPK01, ECSBPK02

CONDUIT HUBS	
TRADE SIZE	CAT. NO.
3/4 INCH	ECHS075
1 INCH	ECHS100
1-1/4 INCH	ECHS125
1-1/2 INCH	ECHS150
2 INCH	ECHS200
2-1/2 INCH	ECHS250

Shown with Door and Deadfront Removed

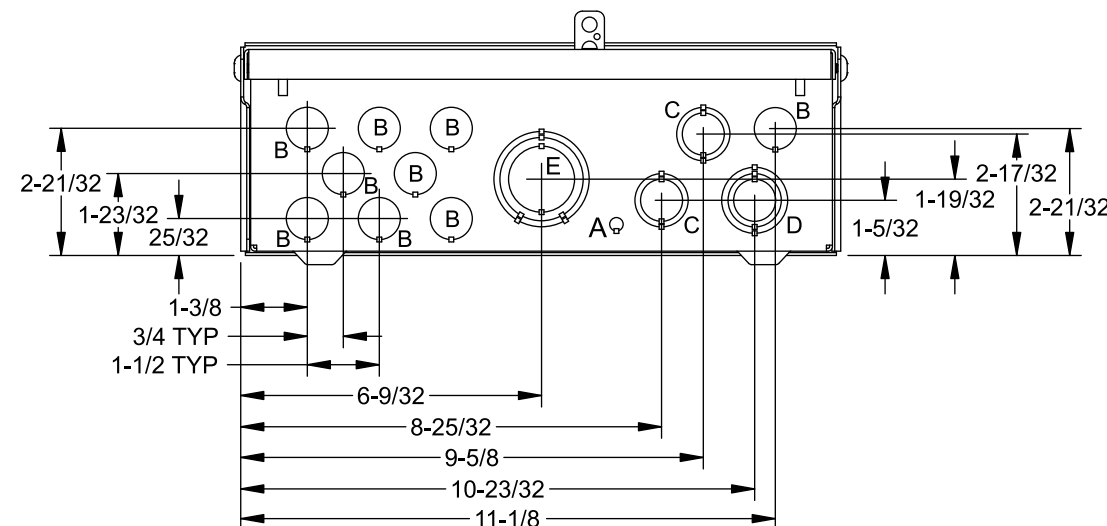


Shown with Door Removed



KNOCKOUT CHART

KO Designation	Qty	Conduit Size
A	1	KO Size = 9/32" DIA.
B	9	1/2"
C	2	1/2", 3/4"
D	3	1/2", 3/4", 1"
E	4	1", 1-1/4", 1-1/2"



© 2013 Copyright Siemens Industry, Inc.

SIEMENS
Siemens Industry, Inc.

Outdoor Load Center

Description: **1 Phase, 8 Position, 16 Ckt,
125A Main Lug Load Center**

KAM 6/5/13 DO NOT SCALE DRAWING Dwg No: **W0816ML1125CU**