

WireGuide™ Electronic Circuit Breakers

AFCI, Dual Function and GFCI

Data Sheet



WireGuide Electronic Circuit Breakers are offered in Combination Type Arc Fault Circuit Interrupter 1-pole and 2-pole, Class A 5mA Ground Fault Circuit Interrupter and Dual Function AFCI/GFCI.

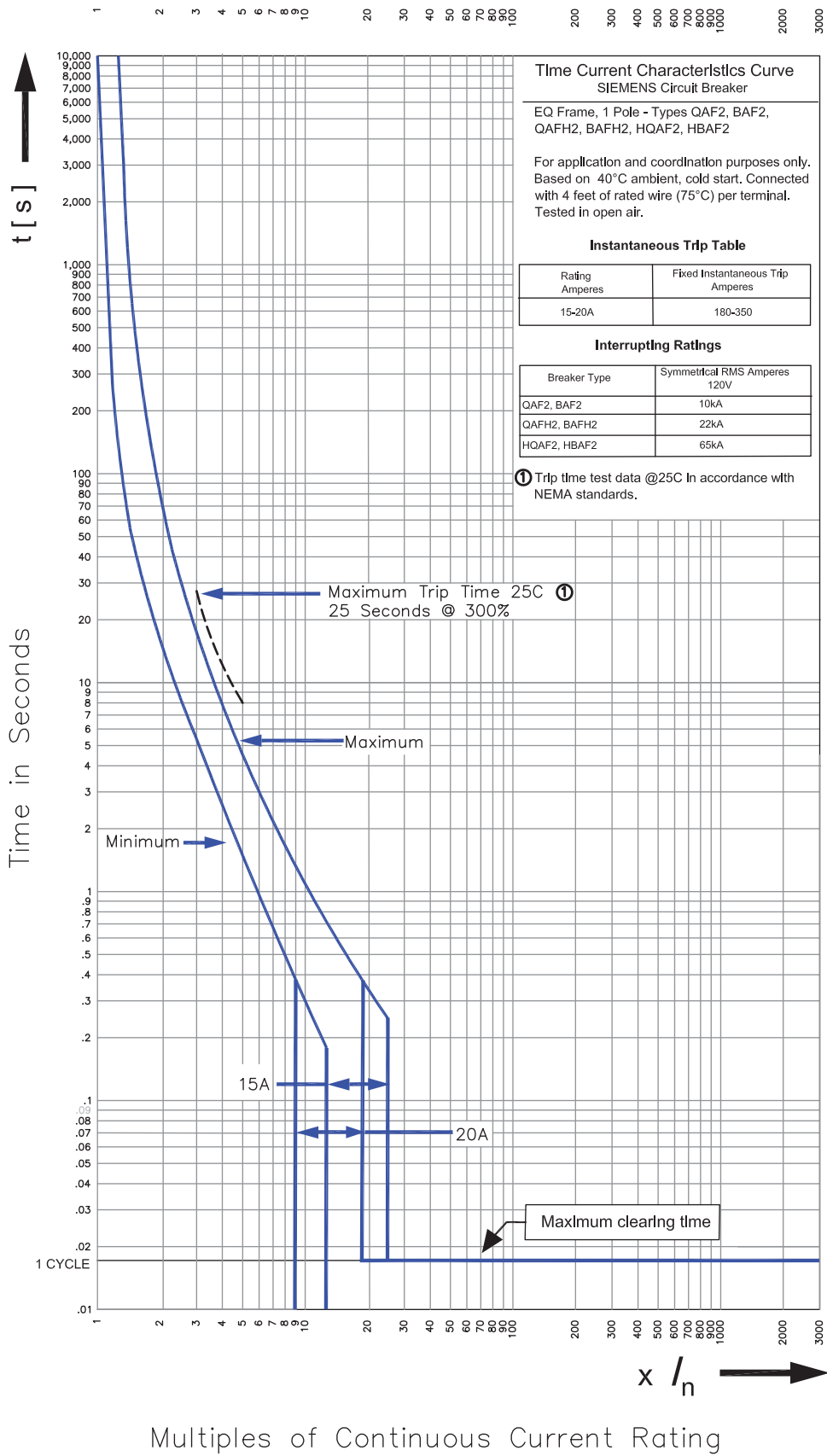
These breakers have shortened neutrals that slide directly into the neutral bar of the WireGuide Loadcenters.

Features

- Pre-trimmed and ready to install neutral pigtails
- "Oops Loop" if extra wire is needed
- Over 4 inches of gutter space
- Decreased installation time
- Offered in 1 and 2 pole Combination Type AFCI, 1 pole GFCI, and 1 pole Dual Function
 - 15 and 20 Amp
 - 10kAIC
 - Plug-in
- UL listed
- Ratings:
 - HACR
 - SWD
 - 120 Volts AC
- Wire range:
 - #14 - #8 AWG Cu
 - #12 - #8 AWG Al
- Torque: 25 lb. in.
- Padlocking device available, use catalog number ECPLD1

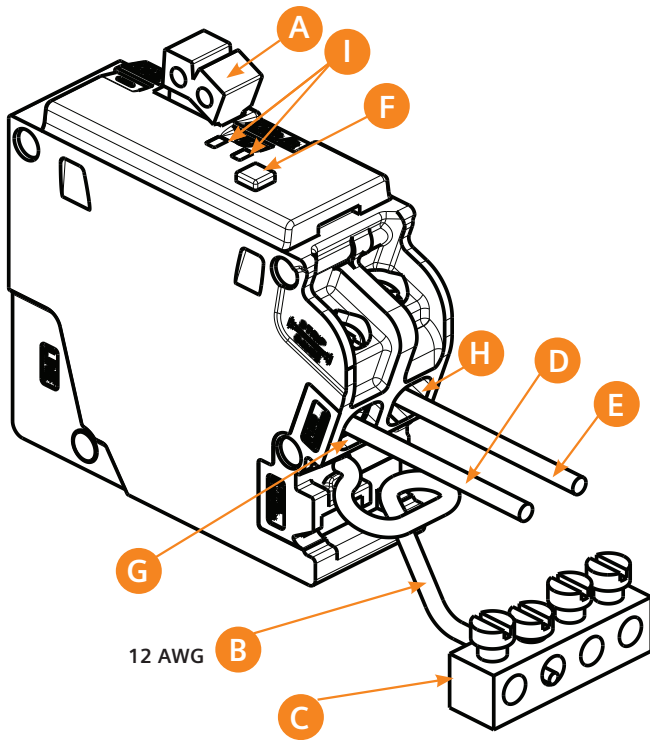
Catalog Number	Amp Rating	Interrupting Rating	UL Type
1-Pole Combination Type AFCI			
QA115AFCWG	15	10kAIC	QAF2
QA120AFCWG	20	10kAIC	QAF2
2-Pole Combination Type AFCI			
Q215AFCWG	15	10kAIC	QAF
Q220AFCWG	20	10kAIC	QAF
1-Pole GFCI			
QF115AWG	15	10kAIC	QFGA2
QF120AWG	20	10kAIC	QFGA2
1-Pole Dual Function AFCI/GFCI			
Q115DFWG	15	10kAIC	QPF2
Q120DFWG	20	10kAIC	QPF2

Time Current Characteristic Curves

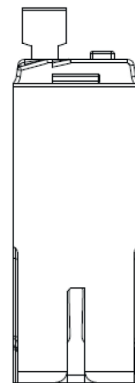
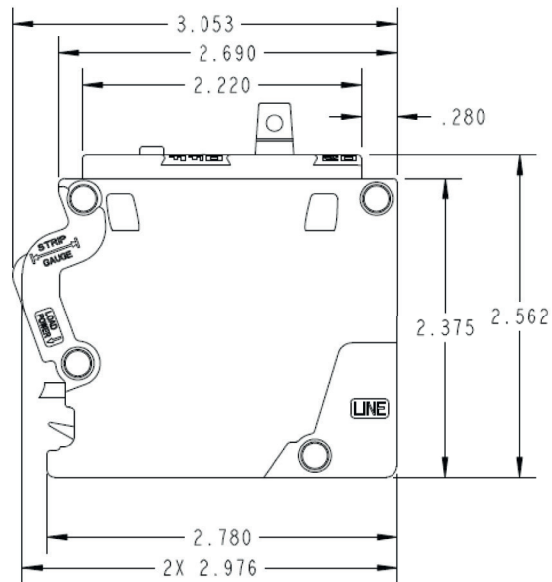


Dimensions

1-Pole

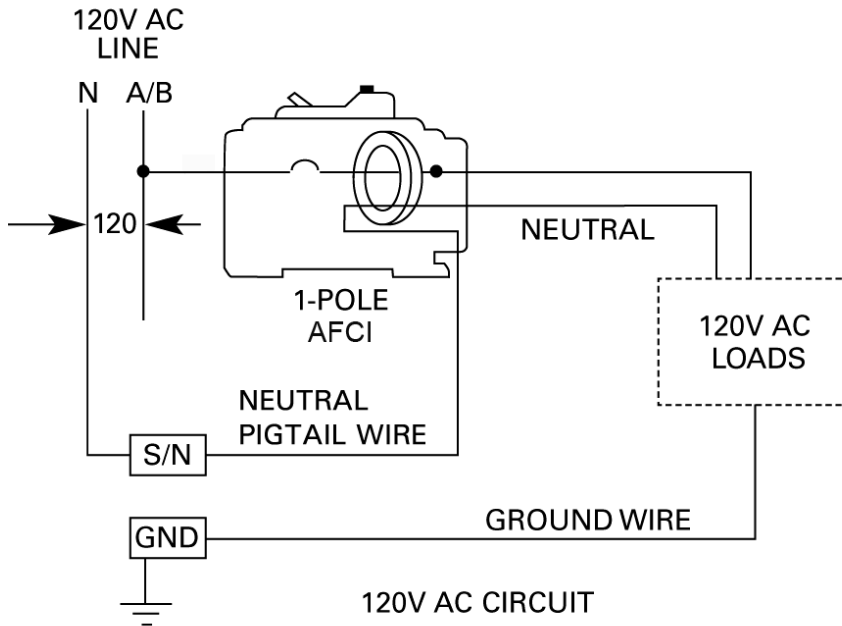


A	Breaker handle
B	Neutral (Oops Loop) wire
C	Panel neutral
D	Load neutral wire
E	Load power wire
F	Test button
G	Neutral terminal
H	Load terminal
I	2 yellow LEDs



Wiring diagram

1-Pole (1" Wide)



Siemens Industry, Inc.
5400 Triangle Parkway
Norcross, GA 30092

1-800-241-4453
info.us@siemens.com

Order No. RPFL-WGCBD-0416 | Printed in USA |
© 2016, Siemens Industry, Inc.

www.usa.siemens.com/WireGuide

Subject to changes and errors. The information given in this document only contains general descriptions and/or performance features which may not always specifically reflect those described, or which may undergo modification in the course of further development of the products. The requested performance features are binding only when they are expressly agreed upon in the concluded contract.