

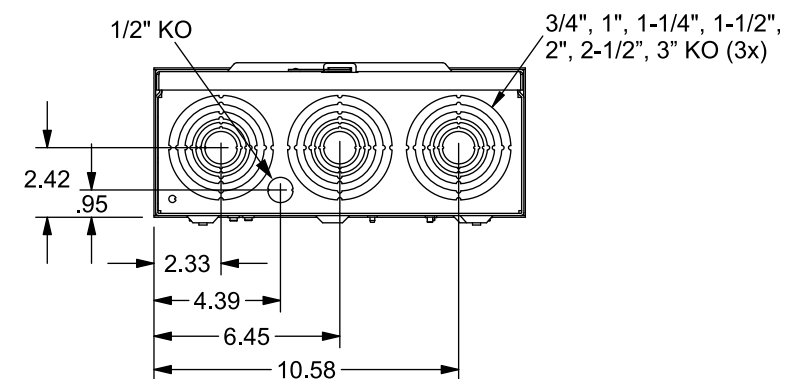
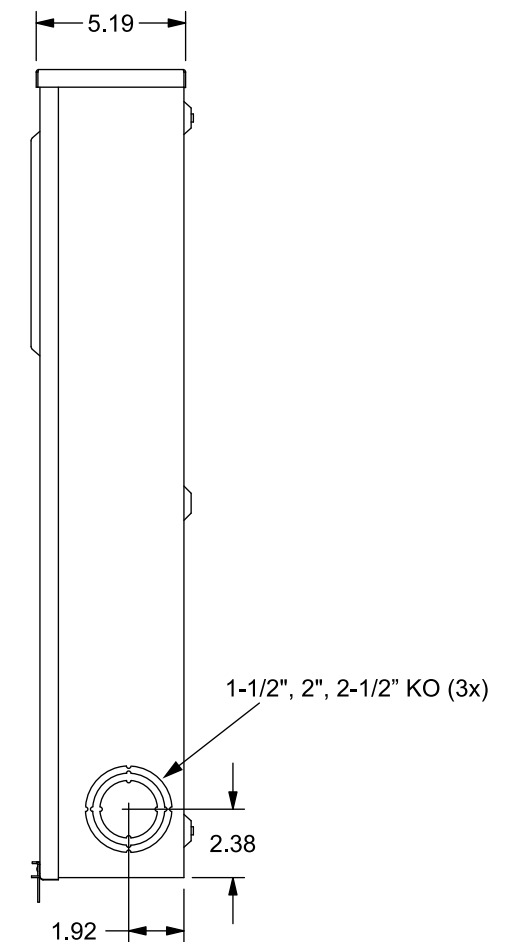
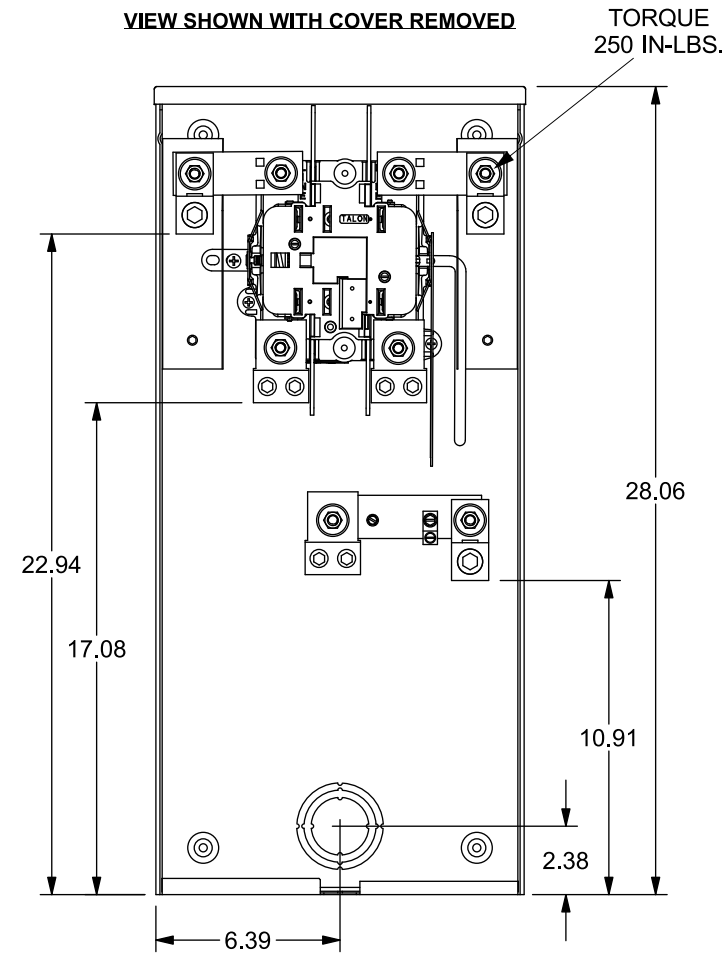
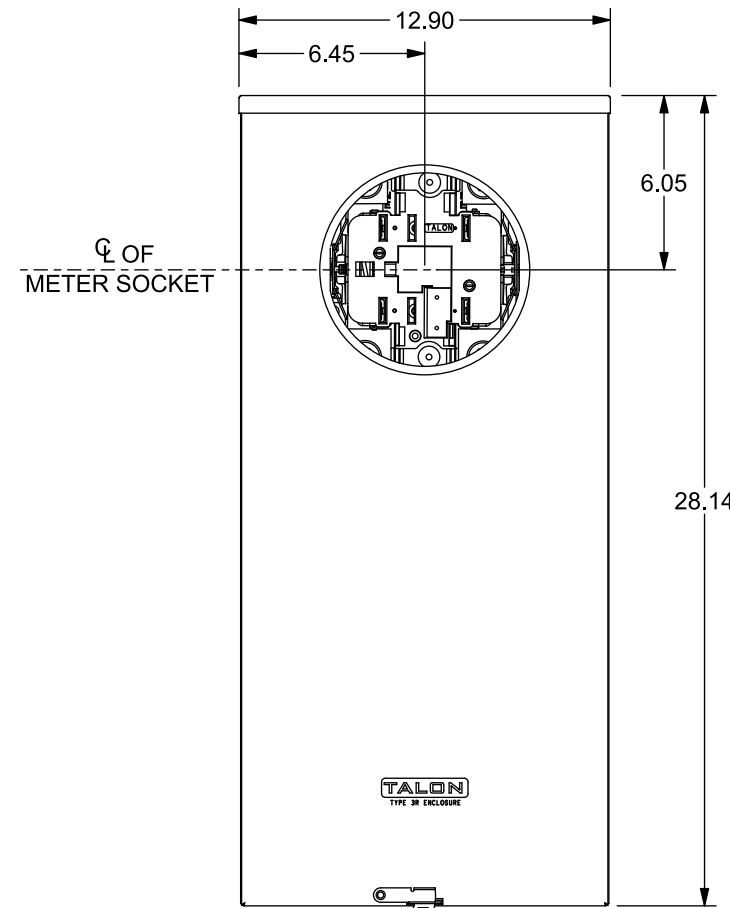
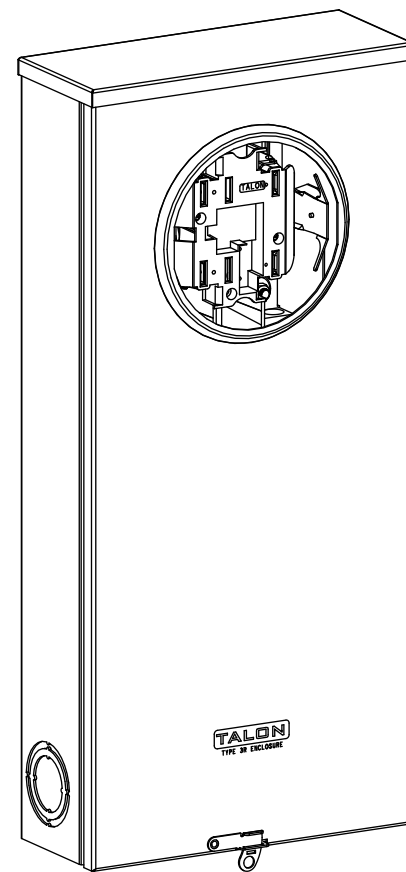
# Catalog Number: 48504-846

## Features and Ratings

- Ringless Type Meter Socket
- 320A Continuous, 600V AC
- Outdoor Enclosure (NEMA Type 3R)
- Painted G90 Steel Enclosure
- 1 Phase, Commercial Socket
- 4 Jaw Meter Socket
- Meter Socket Type HQ-4UST
- For Underground Service Only
- Lever Bypass

## Connectors, Wire Sizes and Torques

CONNECTOR	PART No.	WIRE SIZE	HEX DRIVE	TORQUE
LINE, NEUTRAL	60162	#4 - 600 kcmil or (2) 1/0-250 kcmil	1/2"	500 IN-LBS.
LOAD, NEUTRAL	56732-2	(2) #4-350 kcmil	5/16"	275 IN-LBS.
GOUND	..	#14 - 2 AWG	..	50 IN-LBS.



© 2016 Copyright Siemens Industry, Inc.

**TALON**  
**Meter Socket**

Description: **320A Cont, 4 Jaw, HQ-4UST, 600V AC, Painted Steel Enclosure**

KAM 3/23/16 | DO NOT SCALE DRAWING | Dwg No: **48504-846**