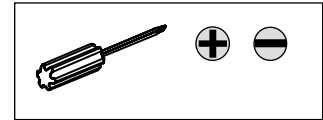


Circuit Breaker – Type NGB Interruptor automatico de potencia – Tipo NGB

Installation Instructions / Instructivo de Instalación

	 Danger	 Peligro	 Danger
	Hazardous Voltage. Will cause death or serious injury.	Tensión peligrosa. Puede causar la muerte o lesiones graves.	Tension dangereuse. Danger de mort ou risque de blessures graves.
	Turn off and lock out all power supplying this device before working on this device. Replace all covers before power supplying this device is turned on.	Desenergice totalmente antes de instalar o darle servicio. Reemplace todas las barreras y cubiertas antes de energizar el interruptor.	Couper l'alimentation de l'appareil et barrer avant de travailler. Remplacez tous les couverts avant que l'alimentation de pouvoir soit alimenté.

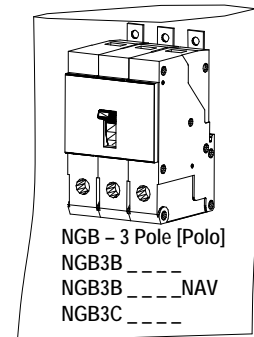
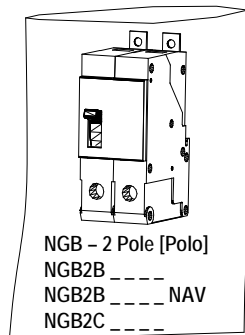
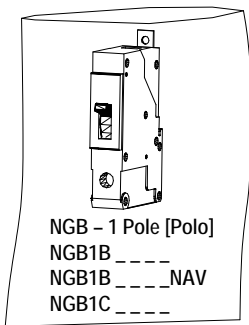
NOTE - These instructions do not purport to cover all details or variations in equipment, or to provide for every possible contingency to be met in connection with installation, operation or maintenance. Should further information be desired or should particular problems arise, which are not covered sufficiently for the purchaser's purposes, the matter should be referred to the local Siemens sales office. The contents of this instruction manual shall not become part of or modify any prior or existing agreement, commitment or relationship. The sales contract contains the entire obligation of Siemens. The warranty contained in the contract between the parties is the sole warranty of Siemens. Any statements contained herein do not create new warranties or modify the existing warranty.



Trademarks - Unless otherwise noted, all names identified by ® are registered trademarks of Siemens AG or Siemens Industry, Inc. The remaining trademarks in this publication may be trademarks whose use by third parties for their own purposes could violate the rights of the owner.

This circuit breaker is intended for use only in Siemens Panelboard and Switchboard designs. Use only with Siemens certified components.

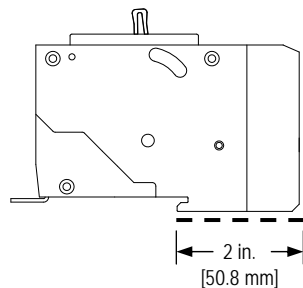
[Este interruptor automático es para uso exclusivo en paneles diseñados por Siemens.]
 [Utilizar únicamente con componentes certificados de Siemens.]



INSTALLATION [INSTALACION]

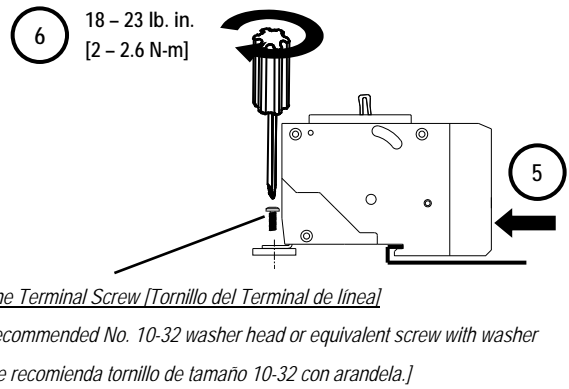
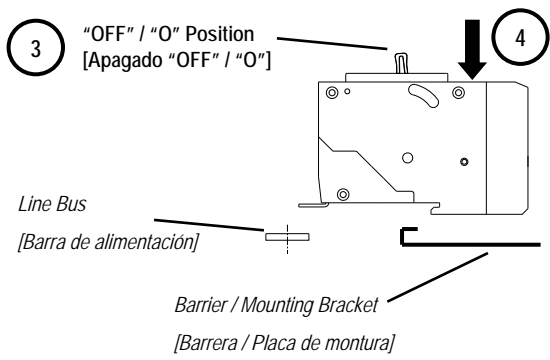
1 Insulation Requirements
 [Requerimientos de aislamiento]

In Siemens certified components where breaker is mounted on a metal surface, ensure insulating material with a minimum dielectric strength of 600 V / mil [24 kV / mm] is applied as shown.
 [En componentes certificados Siemens donde el interruptor se instala en superficie de metal, instale material de insulación de fuerza dieléctrica de por lo menos 600 V/mil [24 kV/mm] según ilustración.]

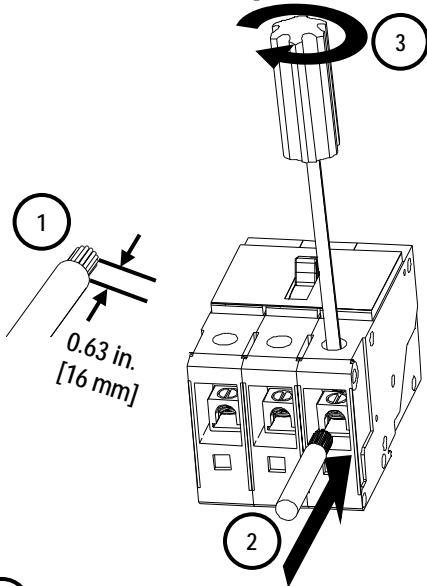




Width: 1 in. [25.4 mm] X number of poles
 Thickness: 0.010 in. [0.25 mm] minimum
 [Ancho: 1 in. [25.4 mm] por polo]
 [Grosor: 0.010 in. [0.25 mm] mínimo]

2 Turn off and lock out all power supplying this equipment before installing this device.
 [Desenergice totalmente el circuito a este equipo antes de instalar o darle servicio a este aparato.]



WIRE CONNECTION
[CONEXION DE CABLES]



	15 - 30 Amp	Cu / Al 60° / 75° C 14 - 10 AWG - 35 lb. in. [4.0 N-m] 8 AWG - 40 lb. in. [4.5 N-m]
	35 - 125 Amp	Cu / Al 60° / 75° C 8 AWG - 40 lb. in. [4.5 N-m] 6 - 4 AWG - 45 lb. in. [5.1 N-m] 3 - 2/0 AWG - 55 lb. in. [6.2 N-m]

For use with [para uso con]: NGB _ B _ _ _ B
NGB _ C _ _ _ B
NGB _ B _ _ _ V
NGB_B _ _ _ _ NAV

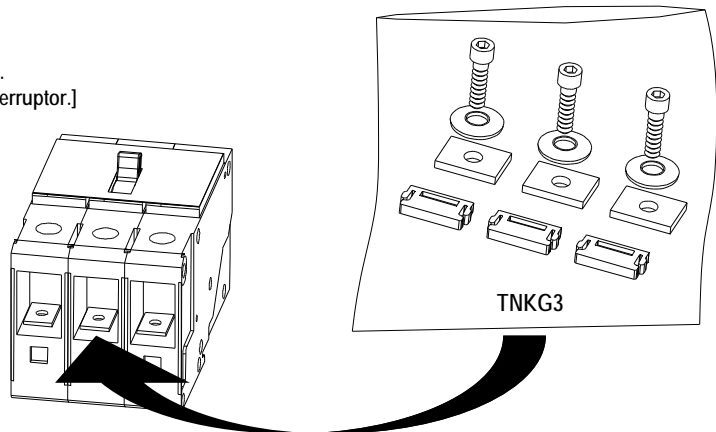
Required Conductor Stranding [Cantidad de hébras requeridas en alambre]			
Conductor Size [Tamaño de alambre]	Number of strands [Cantidad de hébras]		
	Cu		Al
AWG or kcmil [mm ²]	Class [Clase] B	Class [Clase] C	Class [Clase] B
14 - 2 [2.1 - 33.6]	7	19	7 *
1 - 2/0 [42.4 - 67.4]	19	37	19

* Not to be used with Aluminum 14 AWG (2.1 mm²) conductors [No utilizar alambre de aluminio calibre 14 AWG]

4 Replace all covers before power supplying this device is turned on.
[Reemplace todas las barreras y cubiertas antes de energizar el interruptor.]

NUT KEEPER KIT - TNKG3 - Required for use with [Requerido para uso con]: NGB _ B _ _ _
[JUEGO DE SUJETADORES DE BORNES - TNKG3] NGB_B _ _ _ _ NAV
NGB _ C _ _ _
NGB _ B _ _ _ U

Replace all covers before power supplying this device is turned on.
[Reemplace todas las barreras y cubiertas antes de energizar el interruptor.]



Technical Support:

Toll Free: 1-800-241-4453

Internet: www.usa.siemens.com/powerdistribution

Subject to change without prior notice
Siemens Industry, Inc. , Norcross, GA 30092 U.S.A.

© Siemens Industry Inc. 2010