

Installation Instructions



⚠ DANGER

Hazardous voltage. Will cause death or serious injury.

Turn off and lock out all power before working on the circuit breaker before installing or servicing.

⚠ SAFETY INSTRUCTIONS

NOTE: These instructions outline the recommended installation procedure.

GENERAL

The term circuit breaker, used in these instructions, includes motor circuit interrupters and molded case switches.

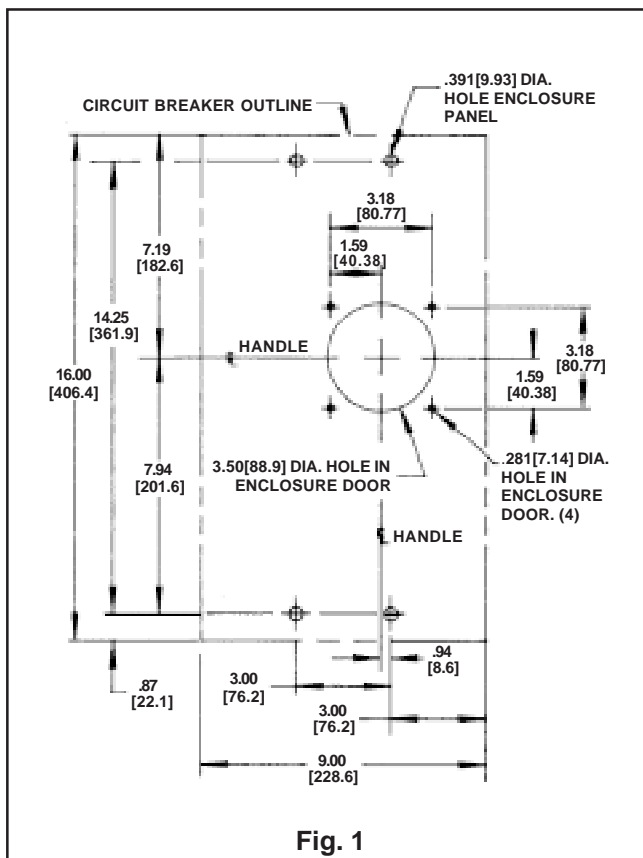
The rotary handle operator provides through-the-door operation of enclosure mounted circuit breakers.

When properly installed, the rotary handle operator provides single point latching of the enclosure door. For maximum protection against unauthorized entry into the enclosure, additional latching means should be provided.

MOUNTING PREPARATION: Fig. 1

1. Turn off and lock out all power supplying the circuit breaker before installing.
2. Place mounting holes in panel and in door as shown in Fig. 1.

CAT NO.	DESCRIPTION	USED WITH
RHOH	Handle	1, 3, 3R, 12 & 13 Enclosures
RHOH4	Handle	4 & 4X Enclosures
RHONSSD	Shaft	Standard Depth
RHONSVD	Shaft	Variable Depth
RHONSXD	Shaft	Variable Extended Depth
RHONSB2	Long Support Bracket	Extended Depth Shaft
RHONBO	Breaker Operator	Circuit Breaker and Enclosed Switches. Frame sizes MD, ND, PD, RD, MF & NF



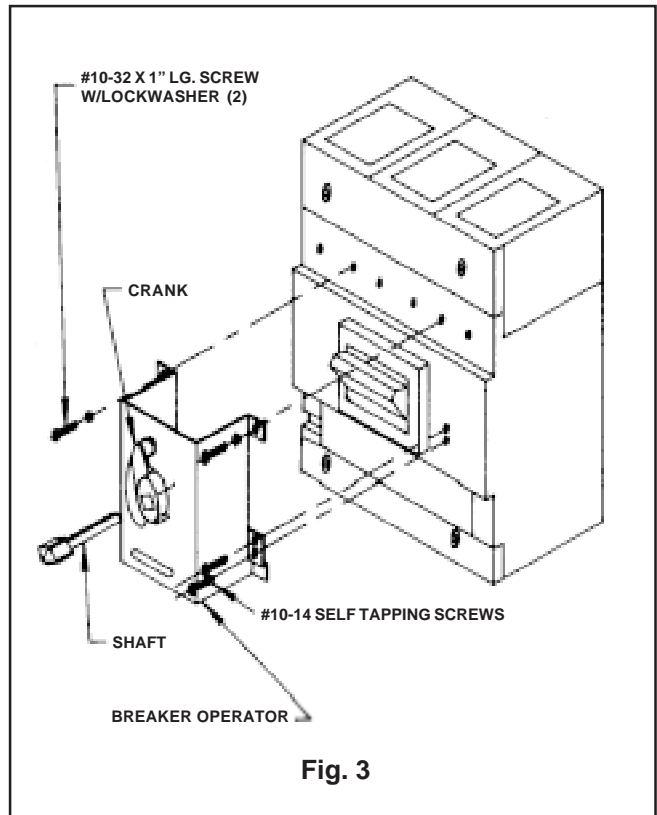
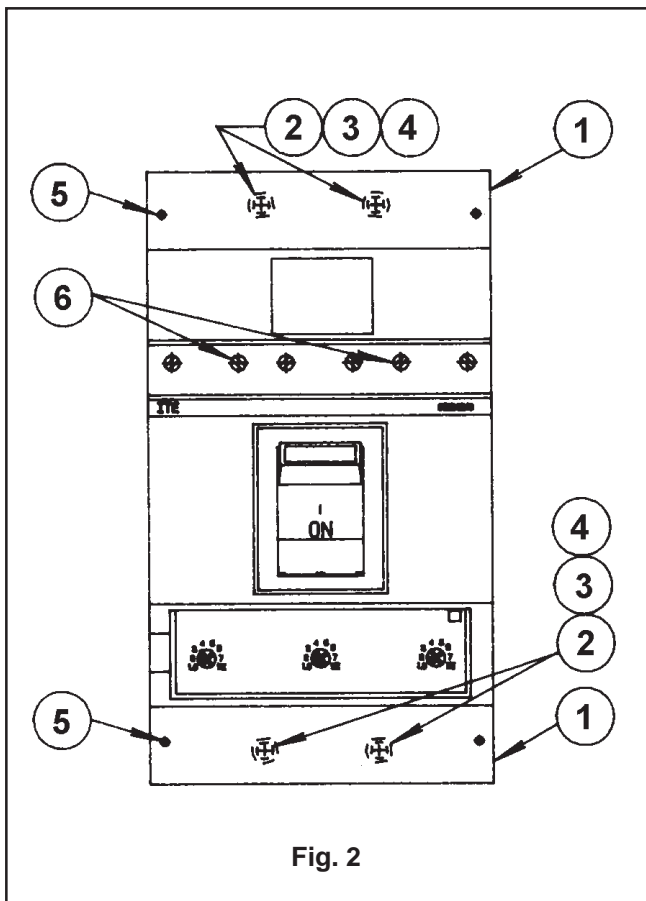
Dimensions
Inches
[Millimeters]



Installation Instructions

INSTALL BREAKER AND BREAKER OPERATOR: Figs. 2 & 3

1. Ref. Fig. 2. Remove the terminal shields 1 from the line and load sides of the circuit breaker and mount the circuit breaker to the enclosure panel using the 3/8-16 X 1.75 Fillister head screws 2, lockwashers 3 and nuts 4.
Tighten screws to 150 In.-Lbs.[16.95 N/m].
2. Replace the breaker terminal shields on the load and line sides of the circuit breaker and secure with the four terminal shield screw to 5. Tighten screws to 12 In.-Lbs.[1.36 N/m].



3. Remove the second screw 6 from each side of the six circuit breaker cover attachment screws (located above the circuit breaker handle).
4. Ref. Fig. 3. Position the breaker operator onto the circuit breaker and attach at the top using the two #10-32 X 1.00 pan head screws and lockwashers.
Tighten these screws to 25 In.-Lbs.[2.82 N/m]

Attach the breaker operator at the bottom using the four #10-14 X .500 thread forming screws.
Tighten to 15-20 In.-Lbs.[1.69-2.26 N/m]
NOTE: THE MOUNTING HOLES ARE UNDER THE LABEL.



Installation Instructions

INSTALL HANDLE

Attach the handle and gasket to the enclosure and secure with the four square neck bolts, lockwashers and nuts as shown in Fig. 4. Tighten nuts to 75 In.-Lbs.[8.47 N/m].

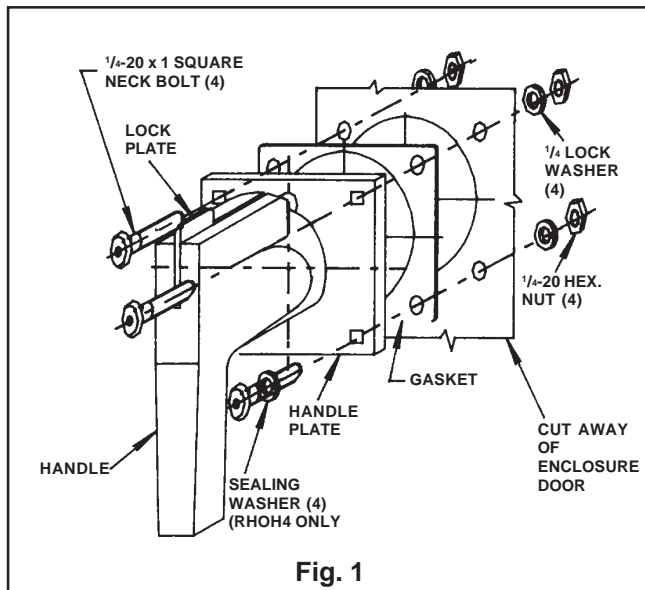


Fig. 1

INSTALL SHAFT

Ref. Fig. 5. Measure dimension K (depth of box) min. 11.00[279.4], max. 20.66[524.7] Shaft Cat. No. RHOSD is for 11.00 inch deep enclosure. No. RHONSXD is for enclosures deeper than 11.00 inches, but not exceeding 24 inches. It also requires the RHONSB2 Long Support Bracket.

Determine length of shaft $L = K - 8.38[212.7]$.

Insert the shaft into the crank and tighten the two 1/4-20 X .375 crank set screws to 70 In.-Lbs.[7.91 N/m].

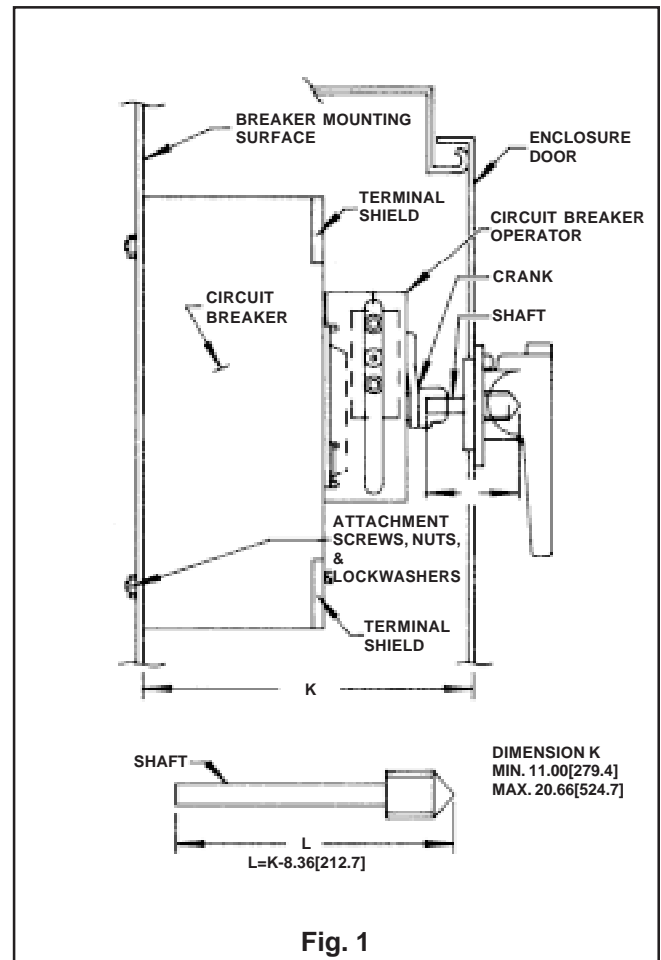


Fig. 1

CHECK OPERATION

Close the enclosure door. Confirm that the handle interlocks with the shaft to hold the door closed in all handle positions except OPEN/RESET. Check proper operation of the circuit breaker ON, OFF and RE-SET.

Dimensions
Inches [Millimeters]



Installation Instructions

PADLOCKING HANDLE: Fig. 6

Move handle to “OFF” position, pull lockplate from end of handle and position between slots in handle plate. Attach padlock(s) to slot in lockplate.

