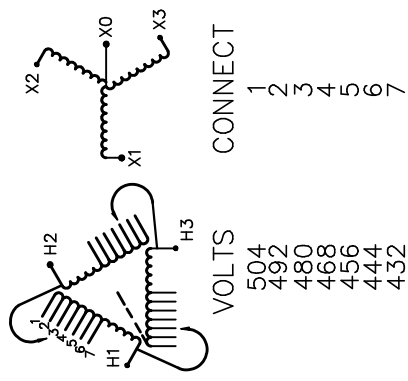


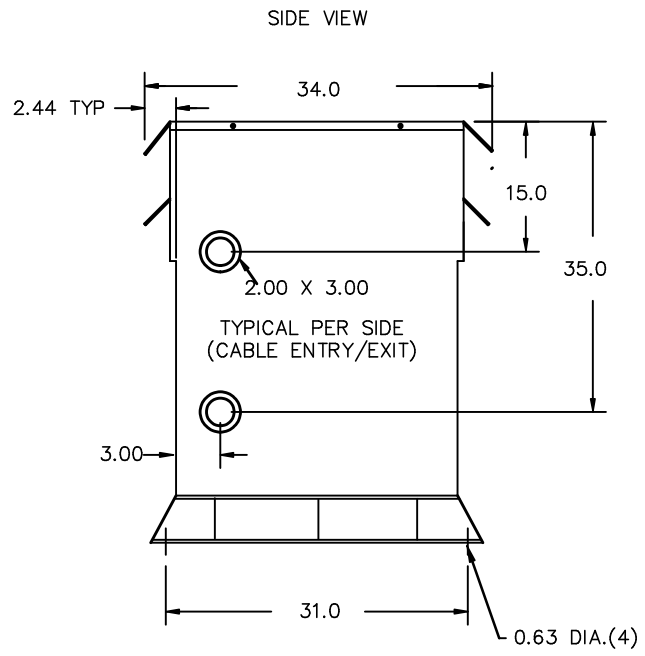
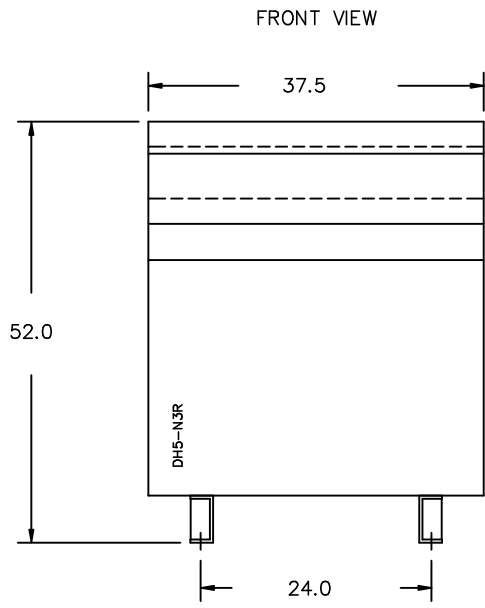
REVISION	DATE	BY	DATE	BY
			15/11/09	JW
			CHEK'D	
1 ADDED ENCL BOTTOM DRAWING	17/04/03	JW	VERIF'D	

Siemens Industry, Inc.		
CUSTOMER		
ORDER NO.	DWG. NO.	1
	3F5Y225FD16	SH 1 OF 3

SIEMENS

<p>CATALOG NO. 3F5Y225FD16</p> <p>SERIAL NO.</p> <p>225 kVA 60 Hz 3 PHASE</p> <p>3.2 % IMP AT 135 °C</p> <p>115 °C RISE 30 °C AVG. AMBIENT</p> <p>220 °C TEMP CLASS 40 °C MAX. AMBIENT</p> <p>PRIMARY (H1 H2 H3) 480V V 10 kV BIL</p> <p>SECONDARY(X0 X1 X2 X3) 480Y/277V V 10 kV BIL</p> <p>WINDING MATERIAL AL</p> <p>ENCLOSURE TYPE 3R WEIGHT 1950 LBS</p> <p>ENERGY EFFICIENCY EXCEEDS CSA C802.2-2012 DOE 10 CFR PART 431:2016</p> <p>SPACINGS BETWEEN ANY VENTILATED ENCLOSURE PANEL AND ANY ADJACENT WALL SHALL BE A MINIMUM OF 5 INCHES EXCEPT WHEN WALL MOUNTED USING APPROVED WALL MOUNTING KIT</p> <p>SUITABLE FOR INDOOR OR OUTDOOR LOCATIONS BEFORE HANDLING, INSTALLING AND OPERATING, SEE INSTRUCTION MANUAL</p> <p>NEMA Class ANN Dry Type Transformer Siemens Industry, Inc. Norcross, GA <small>dsu0086e</small></p>	<p style="text-align: center;">SERIES H</p> <p style="text-align: center;">3 PHASE</p>	 <table style="margin-left: auto; margin-right: auto;"> <tr> <td>VOLTS</td> <td>504</td> </tr> <tr> <td></td> <td>492</td> </tr> <tr> <td></td> <td>480</td> </tr> <tr> <td></td> <td>468</td> </tr> <tr> <td></td> <td>456</td> </tr> <tr> <td></td> <td>444</td> </tr> <tr> <td></td> <td>432</td> </tr> </table> <p style="text-align: center;">CONNECT</p> <table style="margin-left: auto; margin-right: auto;"> <tr> <td>1</td> <td>2</td> <td>3</td> <td>4</td> <td>5</td> <td>6</td> <td>7</td> </tr> </table>	VOLTS	504		492		480		468		456		444		432	1	2	3	4	5	6	7
VOLTS	504																						
	492																						
	480																						
	468																						
	456																						
	444																						
	432																						
1	2	3	4	5	6	7																	
		<p>TYPE K</p> <p>UL LISTED</p> <p>UL E112313</p> <p>DRY TYPE TRANSFORMER</p> <p>LR 3902</p> <p>SEISMIC QUALIFICATIONS, FLOOR MOUNT ONLY</p> <p>OSP-0136-10 IBC 2012/ASCE 7-10</p> <p>SDS<=2.0g Z/h=1 Ip=1.5</p>																					

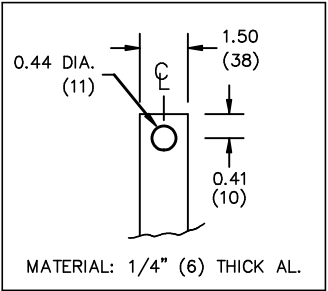




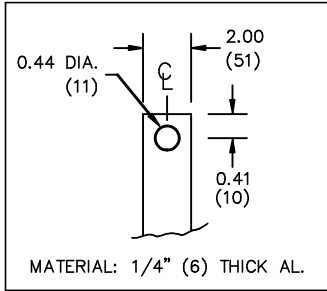
All Dimensions in inches

ENCLOSURE COLOR :ANSI 61 GREY – OUTDOOR

H.V.1. TERMINAL DETAIL



L.V.1. TERMINAL DETAIL



CUSTOMER NOTES:

- HV1 TERMINATED AT TOP FRONT
- LV1 TERMINATED AT BOTTOM FRONT

Siemens Industry, Inc.

REVISION	DATE	BY	DATE	BY	CUSTOMER		
			15/11/09	JW			
			CHEK'D				
1	ADDED ENCL BOTTOM DRAWING	17/04/03	JW	VERIF'D			
					ORDER NO.	DWG. NO.	1
					3F5Y225FD16		SH 2 OF 3

1.1 jwen 2017/07/17 13:08

ENCLOSURE BOTTOM VIEW



NOTE:
 WHEN BOTTOM CABLE ENTRY IS OPTED, THE SPACE USED FOR CONDUITS IN THE FRONT OF THE TRANSFORMER SHOULD NOT OBSTRUCT MORE THAN 50% OF THE FRONT AIR INTAKE AREA DEFINED BETWEEN THE BOTTOM PLATE AND THE SUPPORTING LEGS. SEE MANUAL FOR ADDITIONAL INFORMATION

Siemens Industry, Inc.

REVISION	DATE	BY	DATE	BY	CUSTOMER
			DRAWN 15/11/09	JW	
			CHEK'D		
1	ADDED ENCL BOTTOM DRAWING 17/04/03	JW	VERIF'D		ORDER NO. DWG. NO. 3F5Y225FD16 1 SH 3 OF 3