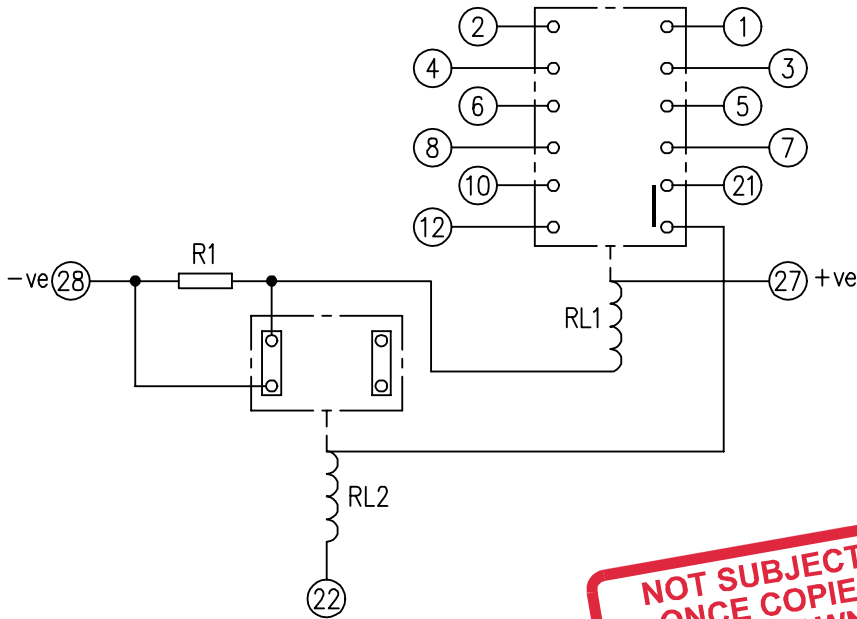


2112W50053

LOOKING ON FRONT OF RELAY



NOT SUBJECT TO UPDATE
ONCE COPIED / PRINTED
OR DOWNLOADED

PRINTED ON 23/06/2003
ENSURE CORRECT REVISION
DESTROY AFTER USE

KEY		220&240	
	make contact	125	5K6 2102C45562
	break contact	50	
	c/o contact	30	
		24	
		VDC	R1

CONTACT CONFIG.	OUTPUT CONTACT PAIR / TERMINAL No.									
	1-3	2-4	5-7	6-8	9-11	10-12	13-15	14-16	17-19	18-20
5M	M	M	M	M	/	M	/	/	/	/
4M 1B	M	B	M	M	/	M	/	/	/	/
3M 2B	B	B	M	M	/	M	/	/	/	/
2M 3B	B	B	M	B	/	M	/	/	/	/
1M 4B	B	B	B	B	/	M	/	/	/	/
	5B	B	B	B	/	B	/	/	/	/

NOTE:
1. FOR CONTACTS NOT SHOWN AS EITHER MAKE OR BREAK SEE TABLE.

FRAME REFERENCE: E4FE02.

FRAME TERMINAL BLOCK ASSY: -

ASSEMBLY INSTRUCTIONS: -
TYPICAL ASSEMBLY DRAWING 2995G10032.
AT INDICATED POSITIONS FIT AS FOLLOWS:
T - FIT TRIP ISOLATION CONTACT 2995B10053
S - FIT STANDARD CONTACT 2995B10054
SECURE CONTACTS USING FIXING SCREW 2109F99009.
POSITIONS SHOWN BLANK ARE UNUSED

2	T	T	1
4	T	T	3
6	T	T	5
8	T	T	7
10	T		9
12	T		11
14			13
16			15
18			17
20			19
22	S	S	21
24			23
26			25
28	S	S	27

VIEW FROM NUMBERED SIDE OF BLOCK

OUTER TERMINAL BLOCK ASSY: -

ASSEMBLY INSTRUCTIONS: -
TYPICAL ASSEMBLY DRAWING 2995G10029.
AT INDICATED POSITIONS FIT AS FOLLOWS:
S - FIT STANDARD CONTACT 2995B10051
HC - FIT 'HEAVY CURRENT' KIT 2995G10030
WHERE IS SHOWN FIT CT SHORTING KIT 2995G10031
POSITIONS SHOWN BLANK ARE UNUSED.
ALL POSITIONS FIT SCREW 2106F12506.

2	S	S	1
4	S	S	3
6	S	S	5
8	S	S	7
10	S		9
12	S		11
14			13
16			15
18			17
20			19
22	S	S	21
24			23
26			25
28	S	S	27

VIEW FROM INSIDE FACE

1	20/04/99	MOD.No.	Title: T.B. AND WIRING DIAG. FOR TR312 RELAYS IN EPSILON E4 CASE.		First used on:
			Reyrolle Protection Hebburn.		Similar Articles:
ISSUE	DATE	MOD.No.	Original Scale:	Supersedes:	
DRAWN: A.LAW.	CHECKED:	APPROVED: R.D.WATSON	DATE: 16/07/02	Drg.No. 2112W50053	
			Copyright © 1999 Reyrolle Ltd.		