

**Aux/Alarm Switches & 3SB Adapters**  
**Bloque de interruptores auxiliares y de alarma**  
**Contacts auxiliaires, signalisation et défaut et adaptateur 3SB**

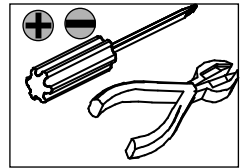
U.S. Cat. No.	Euro Order No.
Item: ASKP3	3VL9800-2AE01
ASKP4	3VL9800-2AC01
ASWPA	3SB3400-0J
ASWPB	3SB3400-0K
AMBP1	3VL9816-2AL01
AMBP2	3VL9816-2AN11

For Use With Frame MG, NG, PG  
 Para Usar Con Caja Base MG, NG, PG

Installation Instructions / Instructivo de Instalación

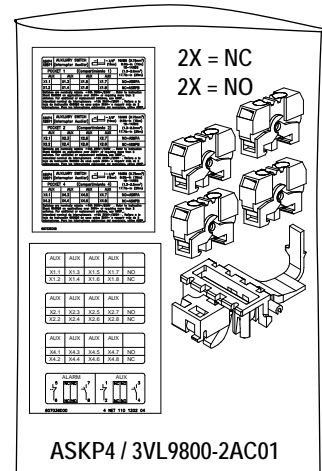
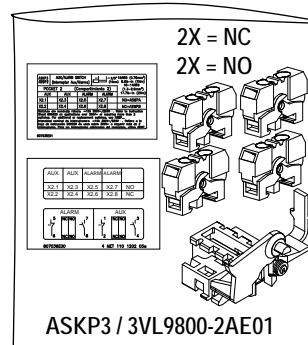
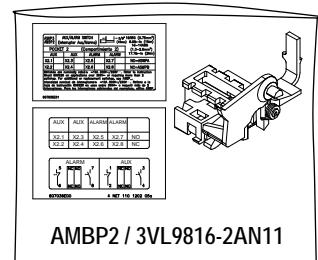
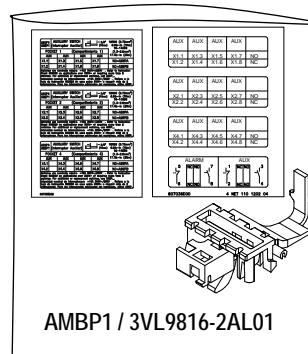
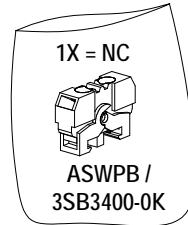
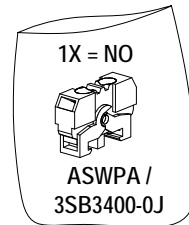
	 <b>Danger</b>	 <b>Peligro</b>	 <b>Danger</b>
	<b>Hazardous Voltage.</b> Will cause death or serious injury. Turn off and lock out all power supplying this device before working on this device. Replace all covers before power supplying this device is turned on.	<b>Tensión peligrosa.</b> Puede causar la muerte o lesiones graves. Desenergice totalmente antes de instalar o darle servicio. Reemplace todas las barreras y cubiertas antes de energizar el interruptor.	<b>Tension dangereuse.</b> Danger de mort ou risque de blessures graves. Couper l'alimentation de l'appareil et barrer avant de travailler. Remplacez tous les couverts avant que l'approvisionnement de pouvoir soit alimenté.

Use only with Siemens certified Components.  
 Utilizar únicamente con componentes certificados de Siemens.  
 A utiliser uniquement avec les composants certifiés Siemens.



NOTE - These instructions do not purport to cover all details or variations in equipment, or to provide for every possible contingency to be met in connection with installation, operation or maintenance. Should further information be desired or should particular problems arise, which are not covered sufficiently for the purchaser's purposes, the matter should be referred to the local Siemens sales office. The contents of this instruction manual shall not become part of or modify any prior or existing agreement, commitment or relationship. The sales contract contains the entire obligation of Siemens. The warranty contained in the contract between the parties is the sole warranty of Siemens. Any statements contained herein do not create new warranties or modify the existing warranty.

Trademarks - Unless otherwise noted, all names identified by ® are registered trademarks of Siemens AG or Siemens Industry, Inc. The remaining trademarks in this publication may be trademarks whose use by third parties for their own purposes could violate the rights of the owner.





### **Danger**

**Hazardous Voltage.**

**Will cause death or serious injury.**

Turn off and lock out all power supplying this device before working on this device.

Replace all covers before power supplying this device is turned on.



### **Peligro**

**Tensión peligrosa.**

**Puede causar la muerte o lesiones graves.**

Desenergice totalmente antes de instalar o darle servicio. Reemplace todas las barreras y cubiertas antes de energizar el interruptor.

### **Danger**

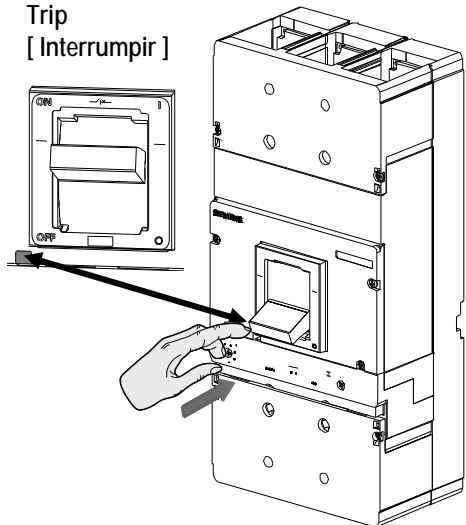
**Tension dangereuse.**


**Danger de mort ou risque de blessures graves.**

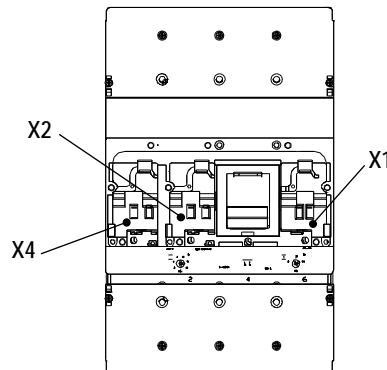
Couper l'alimentation de l'appareil et barrer avant de travailler.

Remplacez tous les couverts avant que l'alimentation de pouvoir soit alimenté.

1 Trip  
[ Interrumpir ]

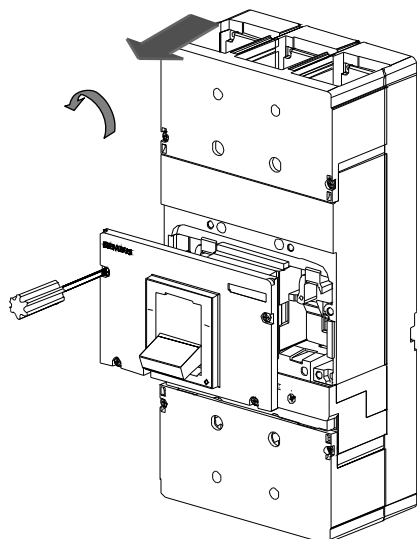


 8 max. per circuit breaker  
[ 8 max. por Interruptor ]  
[ 8 max. par le disjoncteur ]



AMB P1 / 3VL9816-2AL01	OK	OK	OK
AMB P2 / 3VL9816-2AN11		OK	
ASK P3 / 3VL9800-2AE01		OK	
ASK P4 / 3VL9800-2AC01	OK	OK	OK

2

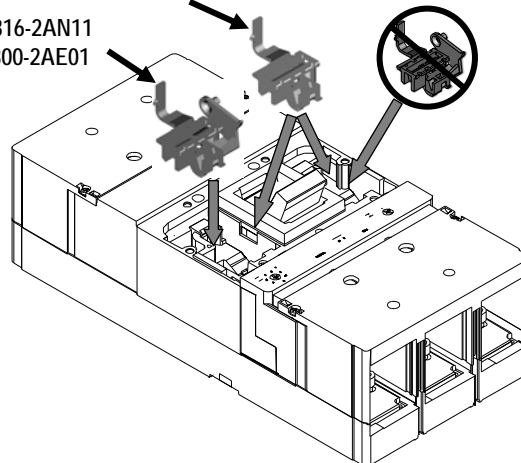


3

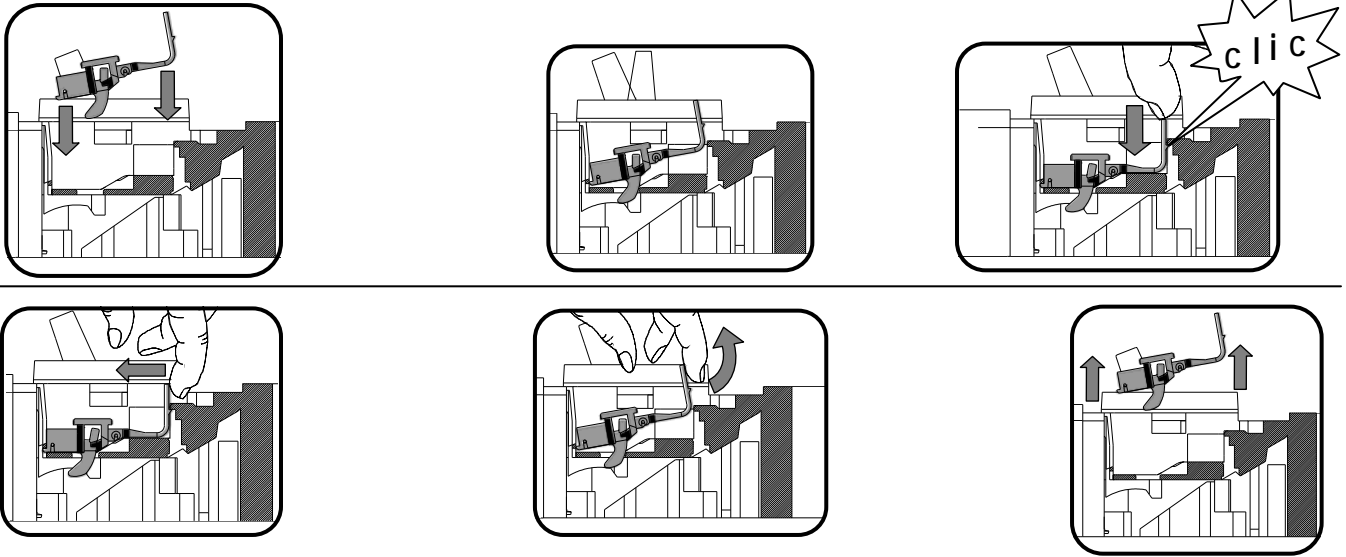
AMB P1 / 3VL9816-2AL01  
ASK P4 / 3VL9800-2AC01

AMB P2 / 3VL9816-2AN11  
ASK P3 / 3VL9800-2AE01

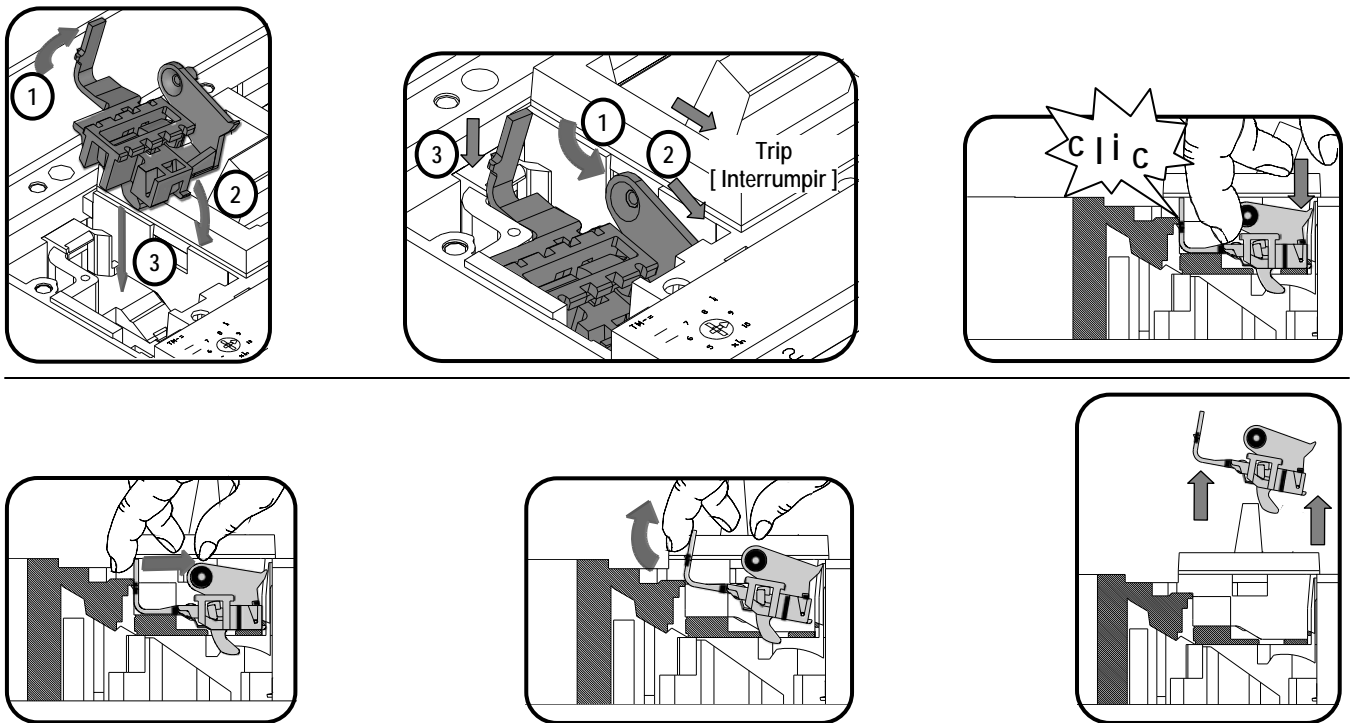
AMB P2 / 3VL9816-2AN11  
ASK P3 / 3VL9800-2AE01



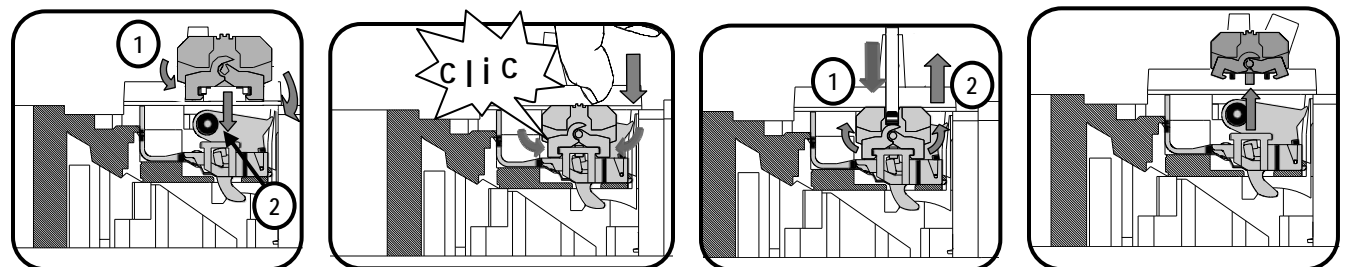
4A **AMBP1 / 3VL9816-2AL01** & **ASKP4 / 3VL9800-2AC01**



4B **AMBP2 / 3VL9816-2AN11** & **ASKP3 / 3VL9800-2AE01**



5





## Danger

**Hazardous Voltage.**  
Will cause death or serious injury.



Turn off and lock out all power supplying this device before working on this device.  
Replace all covers before power supplying this device is turned on.

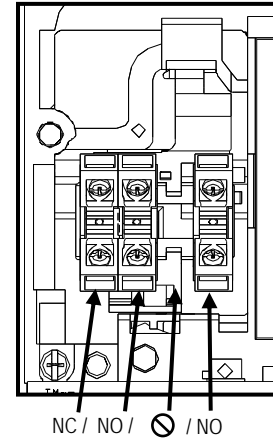
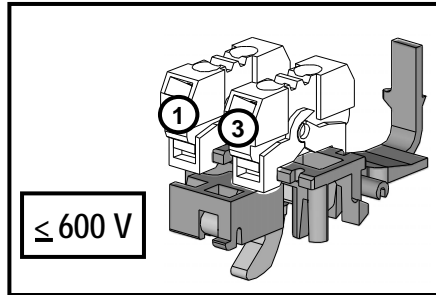
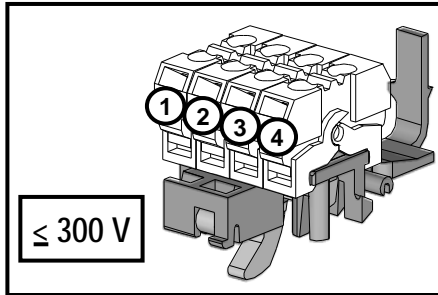
## Peligro

**Tensión peligrosa.**  
Puede causar la muerte o lesiones graves.  
Desenergice totalmente antes de instalar o darle servicio.  
Reemplace todas las barreras y cubiertas antes de energizar el interruptor.

## Danger

**Tension dangereuse.**  
Danger de mort ou risque de blessures graves.  
Couper l'alimentation de l'appareil et barrer avant de travailler.  
Remplacez tous les couverts avant que l'alprovisionnement de pouvoir soit alimenté.

AUX	Auxiliary Switch	Interruptor Auxiliar
ALARM	Bell Alarm	Contacto de Alarma
NO	Normally Open	Normalmente Abierto
NC	Normally Closed	Normalmente Cerrado
Ith	Continuous Thermal Current	Corriente Termal Continua



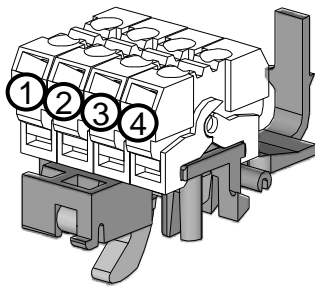
### Auxiliary Switch Application Ratings

All switches are rated for 10A, 600V but the applied voltage and combination of switches mounted on each accessory base may affect this rating. The following Re-rating tables list the affected combinations.

### Grados Auxiliares Del Uso Del Interruptor

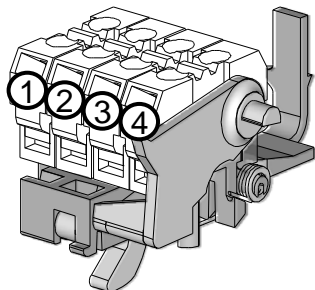
Todos los Interruptores están clasificados para 10A, 600V pero el voltaje aplicado y la combinación de interruptores instalados en cada base del accesorio puede afectar la capacidad. Las siguientes tablas enumeran las combinaciones afectadas.

AMBP1 / 3VL9816-2AL01  
ASKP4 / 3VL9800-2AC01



AUX				Per Switch Por Contactos
①	②	③	④	MAX AMPS (Ith), MAX VOLTS
Ⓟ (or) NC	Ⓟ (or) NC	NC (or) NO	NC (or) NO	10A, 300V
Ⓟ (or) NC	NC (or) NO	NC (or) NO	Ⓟ (or) NC	10A, 300V
NC (or) NO	NC (or) NO	Ⓟ (or) NC	Ⓟ (or) NC	10A, 300V
Ⓟ (or) NC	NO	NO	NO	5A, 300V
NO	Ⓟ (or) NC	NO	NO	5A, 300V
NO	NO	Ⓟ (or) NC	NO	5A, 300V
NO	NO	NO	Ⓟ (or) NC	5A, 300V
NO	NO	NO	NO	5A, 300V

AMBP2 / 3VL9816-2AN11  
ASKP3 / 3VL9800-2AE01

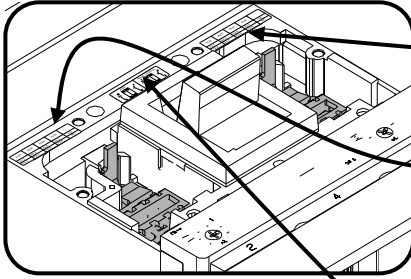


AUX		ALARM Alarma		Per Switch por Contactos
①	②	③	④	MAX AMPS (Ith), MAX VOLTS
NC (or) NO	NC (or) NO	Ⓟ (or) NO	Ⓟ (or) NO	10A, 300V
Ⓟ (or) NC	NC (or) NO	NC (or) NO	Ⓟ (or) NO	10A, 300V
Ⓟ (or) NC	Ⓟ (or) NC	NC (or) NO	NC (or) NO	10A, 300V
NO	NO	NC	Ⓟ (or) NO	5A, 300V
NO	NO	Ⓟ (or) NO	NC	5A, 300V
NO	Ⓟ (or) NC	NC	NC	5A, 300V
Ⓟ (or) NC	NO	NC	NC	5A, 300V
NO	NO	NC	NC	5A, 300V

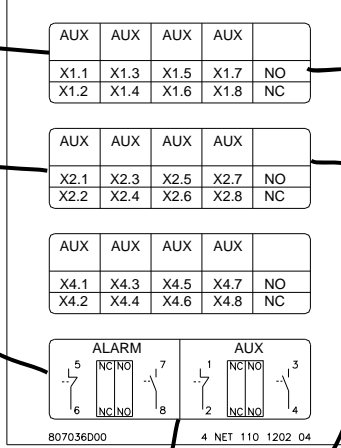
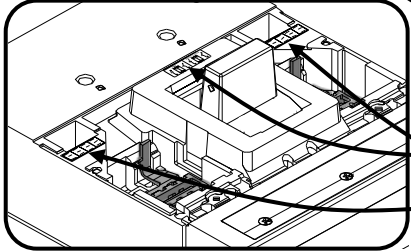
6

Frame MG / Caja Base MG

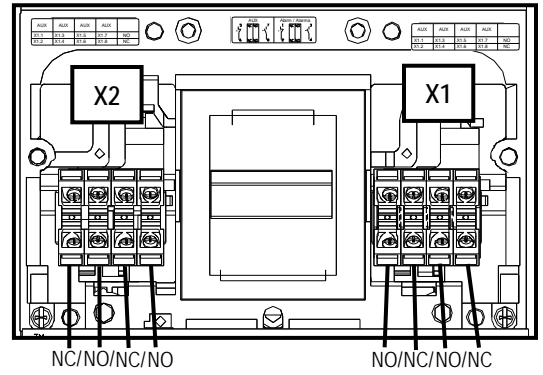
AMB P1 / 3VL9816-2AL01  
ASKP4 / 3VL9800-2AC01



Frame NG / Caja Base NG  
Frame PG / Caja Base PG



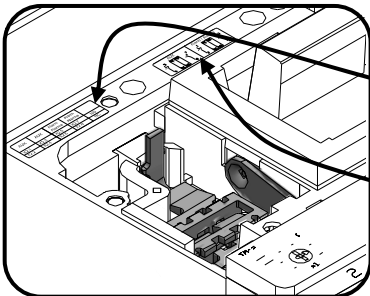
ASKP4 / 3VL9800-2AC01



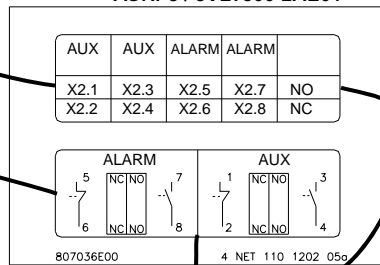
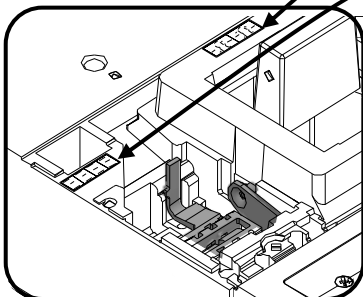
ASKP4 / 3VL9800-2AC01	Auxiliary [Auxiliar]		Auxiliary [Auxiliar]	
	NC	NO	NC	NO
	1 2	3 4	1 2	3 4
ON / I	0	I	0	I
Trip [Interrupir]	I	0	I	0
OFF / O	I	0	I	0

Frame MG / Caja Base MG

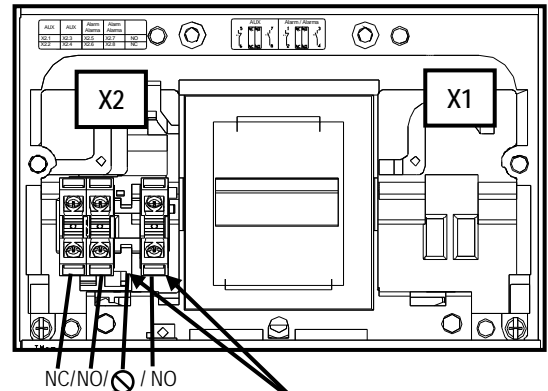
AMB P2 / 3VL9816-2AN11  
ASKP3 / 3VL9800-2AE01



Frame NG / Caja Base NG  
Frame PG / Caja Base PG



ASKP3 / 3VL9800-2AE01



Reference page 3/5  
RE-RATING TABLE 2  
Refiérase page 3/5  
LAS SIGUIENTES TABLAS 2

ASKP3	AUX/ALARM	SWITCH	
AMB P2	(Interrupir / Alarma)	Compartimiento 2)	1- 3/8" 18AWG (0.75mm <sup>2</sup> ) 1E-14AWG 17.7lb-in (2Nm)
X2.1	X2.3 #	X2.5	X2.7 #
X2.2 #	X2.4	X2.6	X2.8

Switches are nominally rated @ 10A 300V~/250V~. Refer to Instruction Sheet 806826 on applications over 300V~ or requiring more than 2 switches. For additional or replacement switches, use ASWP...  
Intensidad nominal de interruptores @ 10A 300V~/250V~. Refiera a la hoja de instrucción 806826 en usos sobre 300V~ o requerir más de 2 interruptores. Para los interruptores adicionales del reemplazo, utilice ASWP.

ASKP3 / 3VL9800-2AE01	Auxiliary [Auxiliar]		Alarm [Alarma]	
	NC	NO	NC	NO
	1 2	3 4	5 6	7 8
ON / I	0	I	I	0
Trip [Interrupir]	I	0	0	I
OFF / O	I	0	I	0



# Danger

**Hazardous Voltage.**  
Will cause death or serious injury.

Turn off and lock out all power supplying this device before working on this device.  
Replace all covers before power supplying this device is turned on.



# Peligro

**Tensión peligrosa.**  
Puede causar la muerte o lesiones graves.

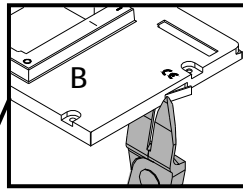
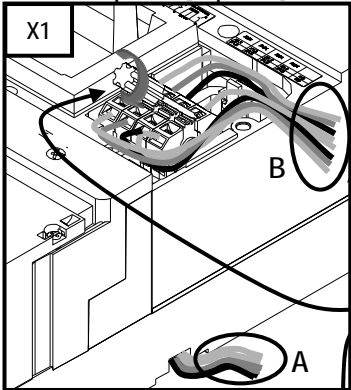
Desenergice totalmente antes de instalar o darle servicio.  
Reemplace todas las barreras y cubiertas antes de energizar el interruptor.

# Danger

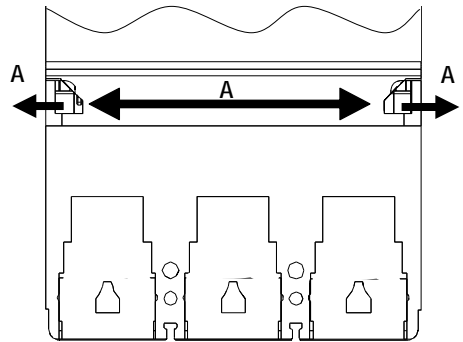
**Tension dangereuse.**  
Danger de mort ou risque de blessures graves.

Couper l'alimentation de l'appareil et barrer avant de travailler.  
Remplacez tous les couverts avant que l'alimentation de pouvoir soit alimenté.

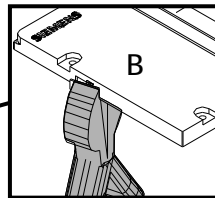
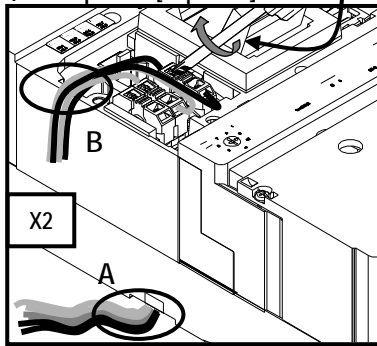
## 7 Option / [ Opción ] 1



Torque [ Esfuerzo de Torsión ]	Wire Size [ Medida Cable ]
9 lb. in. [ 1.0 Nm ]	18 AWG [ 0.75mm <sup>2</sup> ]
18 lb. in. [ 2.0 Nm ]	16 - 14 AWG [ 1.3 - 2.5mm <sup>2</sup> ]

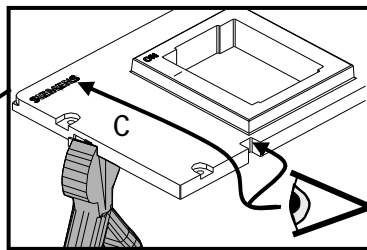
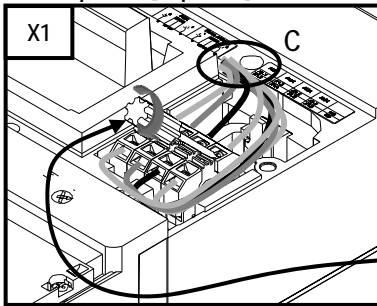


## 7 Option / [ Opción ] 2



Width [ 10mm ]	A Wires [ cables ]	B Wires [ cables ]	C Wires [ cables ]
	>.38	8 max.	8 max.
≤18 AWG [ 0.75 mm <sup>2</sup> ]	8 max.	8 max.	4 max.
≤14 AWG [ 2.5 mm <sup>2</sup> ]	4 max.	4 max.	2 max.

## 7 Option / [ Opción ] 3

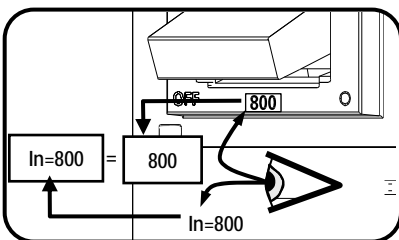


Torque [ Esfuerzo de Torsión ]	Wire Size [ Medida Cable ]
9 lb. in. [ 1.0 Nm ]	18 AWG [ 0.75mm <sup>2</sup> ]
18 lb. in. [ 2.0 Nm ]	16 - 14 AWG [ 1.3 - 2.5mm <sup>2</sup> ]

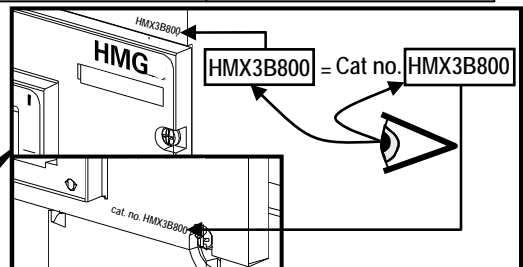
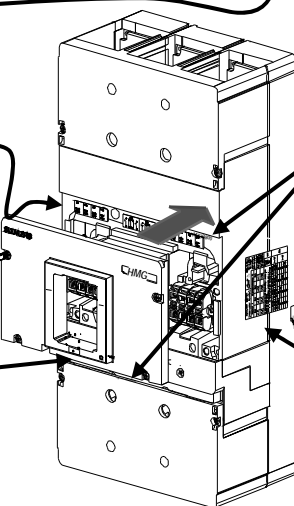
## 8

ASKP4 AMB P1		AUXILIARY SWITCH (Interruptor Auxiliar)		POCKET 2 (Compartimiento 2)	
AUX	AUX	AUX	AUX	17.7lb-in (2Nm)	
X2.1	X2.3	X2.5	X2.7	NO=ASWPA	
X2.2	X2.4	X2.6	X2.8	NC=ASWPB	

Switches are nominally rated @ 10A 300V~/250V~. Refer to instruction sheet 806826 on applications over 300V~ or requiring more than 2 switches. For additional or replacement switches, use ASWP~.  
Intensidad nominal de interruptores @ 10A 300V~/250V~. Refiera a la hoja de instrucción 806826 en usos sobre 300V~ o requiriendo más de 2 interruptores. Para los interruptores adicionales del reemplazo, utilice ASWP~.



9 lb. in [ 1.0 Nm ]



18-14 AWG [ 0.75 - 2.5 mm<sup>2</sup> ]

ASKP4 AMB P1		AUXILIARY SWITCH (Interruptor Auxiliar)		POCKET 1 (Compartimiento 1)	
AUX	AUX	AUX	AUX	17.7lb-in (2Nm)	
X1.1	X1.3	X1.5	X1.7	NO=ASWPA	
X1.2	X1.4	X1.6	X1.8	NC=ASWPB	

Switches are nominally rated @ 10A 300V~/250V~. Refer to instruction sheet 806826 on applications over 300V~ or requiring more than 2 switches. For additional or replacement switches, use ASWP~.  
Intensidad nominal de interruptores @ 10A 300V~/250V~. Refiera a la hoja de instrucción 806826 en usos sobre 300V~ o requiriendo más de 2 interruptores. Para los interruptores adicionales del reemplazo, utilice ASWP~.

### For Support in Europe refer to :

Bestell-Nr. / Order No.: 3ZX1012-0VL68-1AA7

Internet: www.siemens.de/lowvoltage/technical-assistance

GWA 4NEB 179 6826-10 DS 06

Technical Support:

Toll Free: 1-800-241-4453

Internet: www.usa.siemens.com/powerdistribution

Subject to change without prior notice  
Siemens Industry, Inc., Norcross, GA 30092 U.S.A.