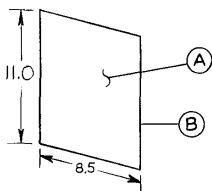


NOTES:  
 1) 8 1/2" x 11" 20# WHITE PAPER STOCK  
 WITH BLACK PRINTING.



REVISIONS			
REV	DESCRIPTION	DATE	APPROVED
A	PC NOS. WERE 111165A00 & 111165B00. CHANGED "DANGER" LABEL. ADDED NOTE: "THE TERMINALS HAVE BEEN TESTED..." DRAWING# FOR PG. 1 WAS 111165-A. DRAWING# FOR PG. 2 WAS 111165-B.	FEB26,1986	R.DEMETROFF/ M.HOFF

**SIEMENS**

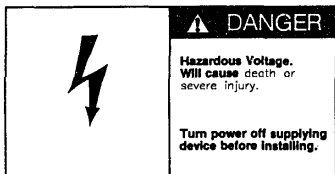
Item: PRESSURE WIRE CONNECTORS

For Use With: Type HK, SHK, KP, and SKP Circuit Breakers and Switches

I-T-E Circuit Protection Division  
 Bellefontaine, Ohio 43311

Page 1

**Installation Instructions**



5. Mount solderless cable connectors (3) to terminals (4) with mounting bolts (5) and lockwashers and flatwashers supplied. Torque mounting bolts to 240 IN-LBS.

NOTE: Steps 4 and 5 can be completed in any convenient order.

6. Re-assemble end covers to breaker with screws, washers and lockwashers previously removed. Tighten screws securely.

7. Insulation shield is required only when breaker is used with an enclosure or base pan as shown. Insulation shield (6) is secured with breaker mounting screws. (NOTE: Shield is furnish with I-T-E enclosures when required.)

**SAFETY INSTRUCTIONS**

CAT. NO'S.: TA3P750, TA4P500

Note: The terminals have been tested per UL-486 B with standard stranded cable.

1. Move breaker handle to "OFF" position.
2. Remove breaker end covers and shields.
3. Mount breaker securely to suitable supports.
4. Attach power cable (1) to cable connectors (3) and tighten cable set screws (2) to specification per TABLE 1.

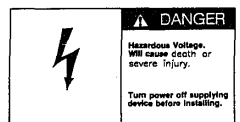
TABLE 1

CATALOG NO.	WIRE RANGE	TORQUE	
		MTG. SCREW	SET SCREW
TA3P750	(1-3) 600MCM-750MCM Cu-Al	240 in. lbs.	375 in. lbs.
TA4P500	(1-4) 250MCM-500MCM Cu-Al	240 in. lbs.	375 in. lbs.

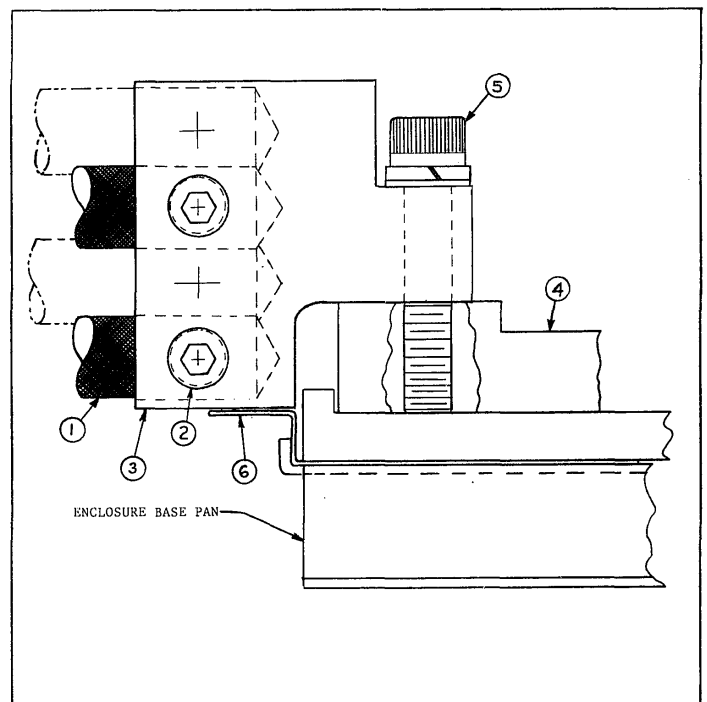
111165A01

I-T-E Circuit Protection Division  
 Bellefontaine, Ohio 43311

Page 2  
 P.c. No. & Rev. 111165 A01  
 © 1986 SIEMENS



**Installation Instructions**

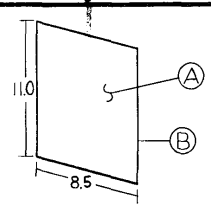


PC. NO. 111165A01

UNLESS OTHERWISE SPECIFIED TOLERANCES ARE IN INCHES				Siemens Energy & Automation, Inc.	
I-T-E Circuit Protection Division				INSTALLATION INSTRS. CABLE CONNECTORS	
TYPE: KP, KM				DWG NO. 111165	
DATE	DATE	DATE	DATE	DATE	DATE
APVD	DATE	SCALE	SHEET	1 OF 2	REV A

REVISIONS			
REV	DESCRIPTION	DATE	APPROVED

NOTES:  
 1) 8 1/2" x 11" 20# WHITE PAPER STOCK WITH BLACK PRINTING.



(A)

(B)

**SIEMENS**

Item: PRESSURE WIRE CONNECTORS  
 For Use With: Type KM, SKM, HN, and CN Circuit Breakers and Switches  
 Page 1

I-T-E Circuit Protection Division  
 Bellefontaine, Ohio 43311

**Installation Instructions**

**⚠ DANGER**  
 Hazardous Voltage. Will cause death or severe injury.  
 Turn power off supplying device before installing.

5. Mount solderless cable connectors (3) to terminals (4) with mounting bolts (5) and lockwashers and flatwashers supplied. Torque mounting bolts to 240 IN-LBS.

NOTE: Steps 4 and 5 may be completed in any convenient order.

6. Re-assemble end covers to breaker with screws, washers and lockwashers previously removed. Tighten screws securely.

7. Insulation shield is required only when breaker is used with an enclosure or base pan as shown. Insulation shield (6) is secured with breaker mounting screws. (NOTE: Shield is furnished with I-T-E enclosures when required.)

**SAFETY INSTRUCTIONS**

CAT. NO.: TA2K750  
 Note: The terminals have been tested per UL-486 B with standard stranded cable.

1. Move breaker handle to "OFF" position.
2. Remove breaker cover.
3. Mount breaker securely to suitable supports.
4. Attach power cable (1) to cable connectors (3) and tighten cable set screw (2) to specification per TABLE 1.

TABLE 1

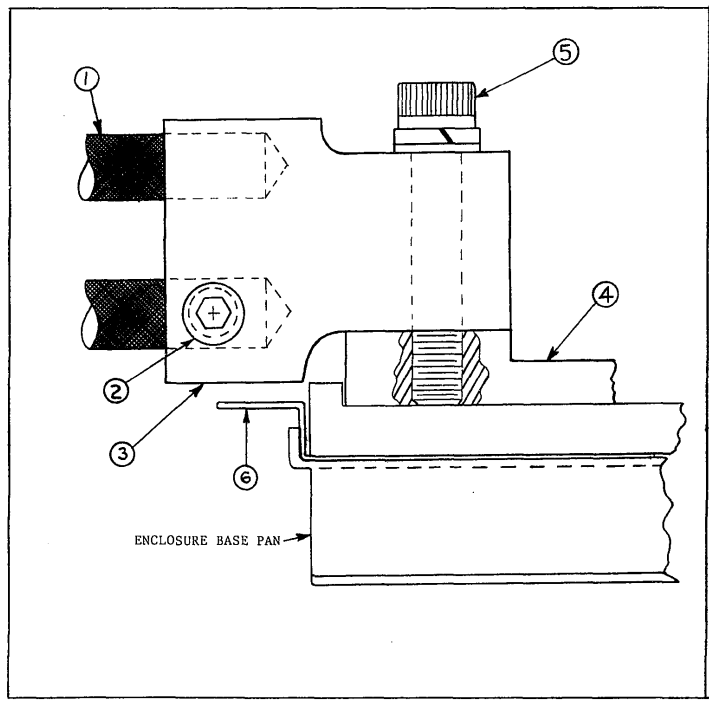
CATALOG NO.	WIRE RANGE	TORQUE	
		MTG. SCREW	SET SCREW
TA2K750	(2) 600-750MCM Cu-Al	240 in. lbs.	375 in. lbs.

I-T-E Circuit Protection Division  
 Bellefontaine, Ohio 43311

Page 2  
 P.C. No. & Rev. 111165 B01  
 © 1986 SIEMENS

**⚠ DANGER**  
 Hazardous Voltage. Will cause death or severe injury.  
 Turn power off supplying device before installing.

**Installation Instructions**



PC. NO. 111165B01

CONFIDENTIAL - Property of Siemens Energy & Automation, Inc.			
UNLESS OTHERWISE SPECIFIED DIMENSIONS ARE IN INCHES		<b>Siemens Energy &amp; Automation, Inc.</b>	
TOLERANCES: .XX .XXX ANGULAR DO NOT SCALE DRAWING		I-T-E Circuit Protection Division	
INSTALLATION INSTRS. CABLE CONNECTORS TYPE: KM, SKM, HN, CN		DWG NO. 111165	
DWN BY: [Signature]	DATE: 8-23-86	SIZE: C	REV: A
CHK: [Signature]	DATE:	SCALE: [Signature]	SHEET 2 OF 2
APVD: [Signature]	DATE:		