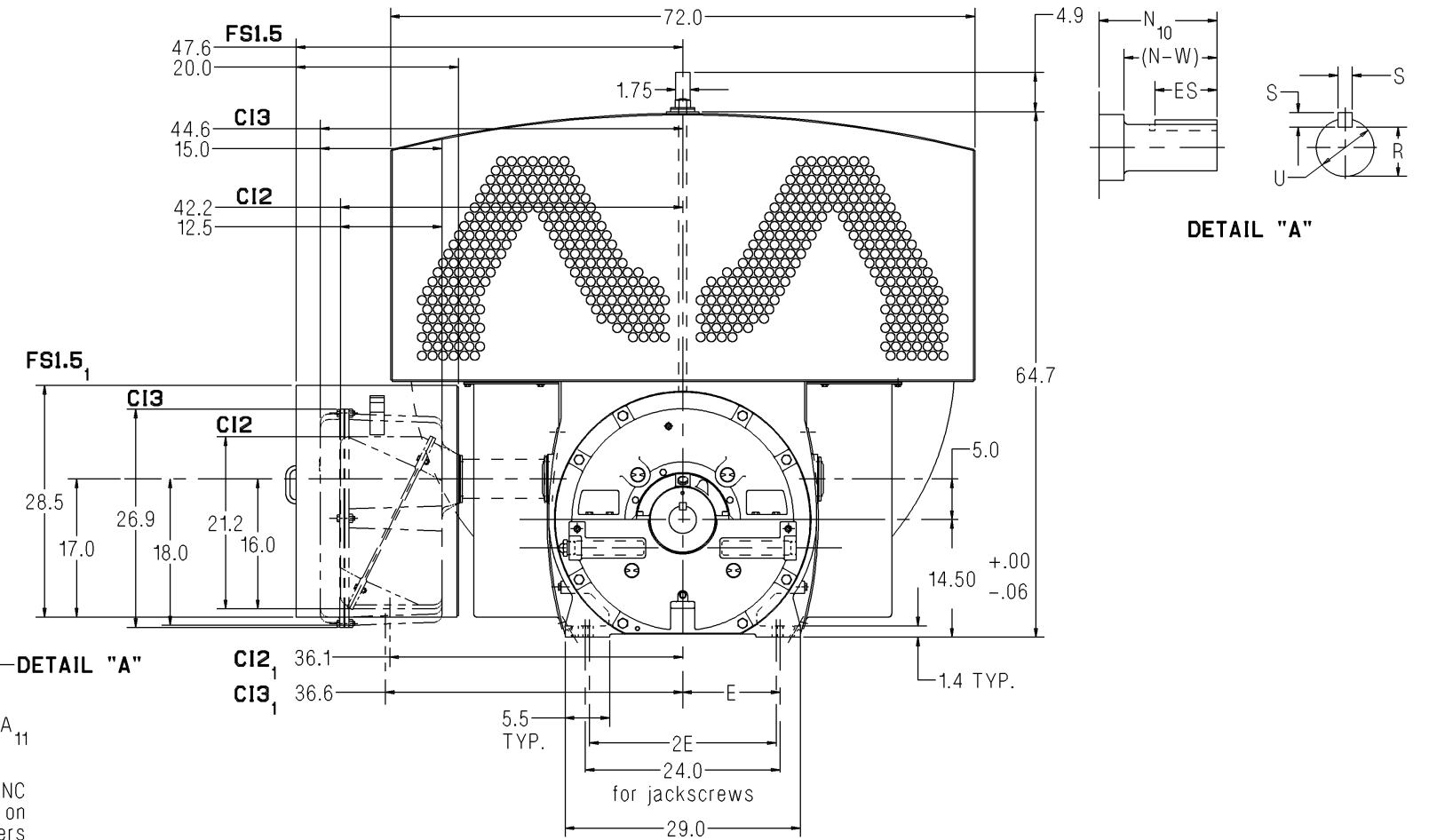
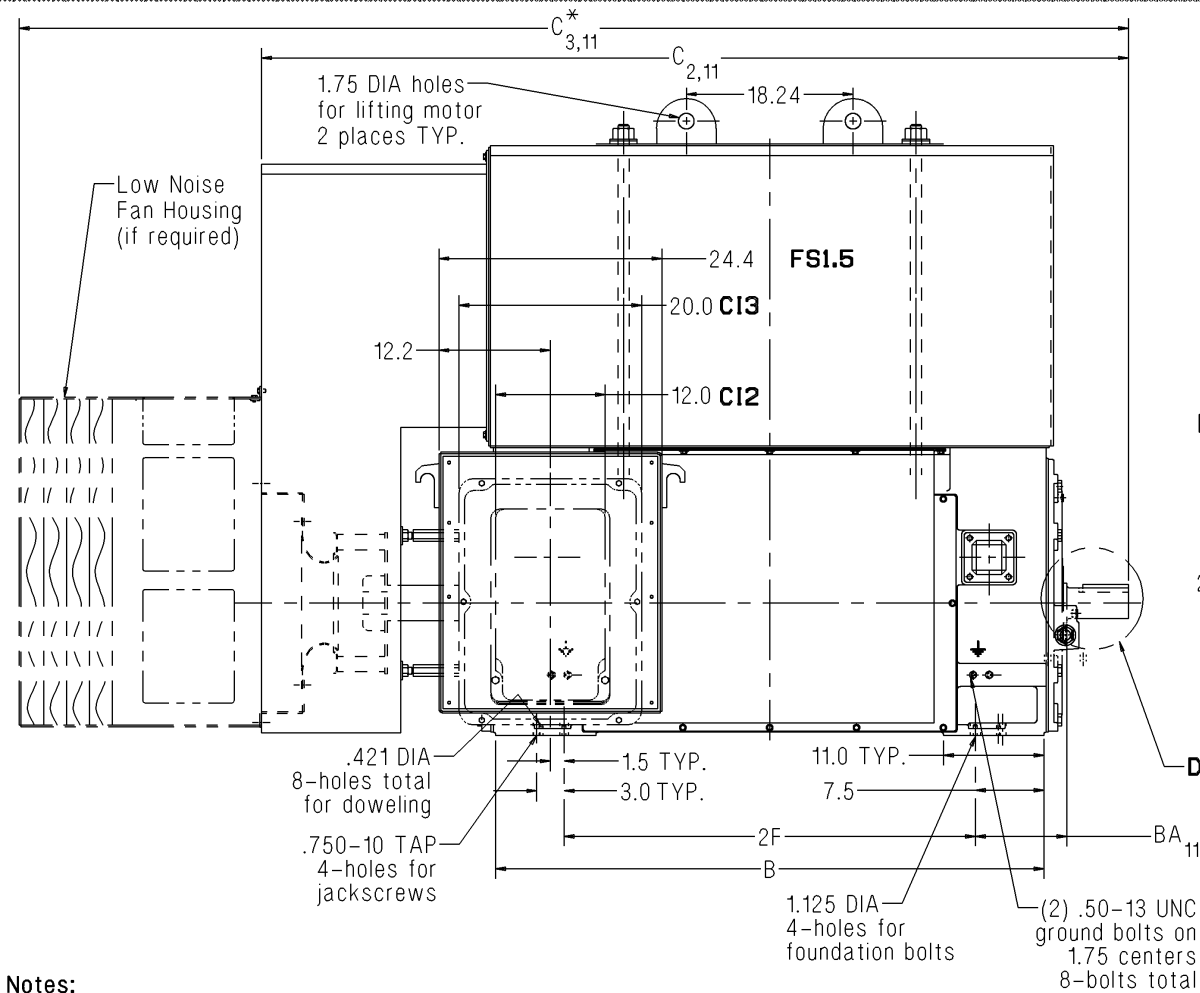


SIEMENS

Dimension Prints for Above NEMA Motors

Type CAZ - Horizontal - TEAAC with Shaft Mounted Fan Sleeve Bearing- Direct Connected Frame 5812 - Rotatable Main Conduit Box



Notes:

- Main conduit box may be rotated 90° towards drive end only. A removable bottom plate is supplied on the FS1.5 conduit box. A 5.0 N.P.T. is supplied on the CI2 and CI3 conduit boxes. A 10.75" spacer is supplied on the 5812 frame for all rotatable conduit boxes.
- C = Length of motor from drive end of shaft to end of standard fan housing.
- C* = Length of motor from drive end of shaft to end of low noise fan housing.
- V = (N-W)-0.25" = length of shaft available for coupling.
- Machines rotate in one direction only.
- Shims may be necessary under motor feet for direct connection.
- Rotor end float = 0.5"
- End float of LEF coupling = 0.19"
- Approximate ship weight is based on standard aluminum cooling tubes.
- Adding a rotating labyrinth seal to the drive end decreases N by: 2 Pole: 0.28" 4 Pole & Slower: 0.28"
- When adding a ground brush, consult the factory. (BA, C, and C* will increase.)
- For motors equipped with provisions for proximity probes use this print for our standard internal mounting.

Lubrication Per Bearing	
2 Pole	4 Pole & Slower
140-160 SUS @ 100°F	290-350 SUS @ 100°F
3.5 qt. capacity	3.5 qt. capacity

Standard Dimensions in Inches

Shaft	Frame	Speed	B	BA ₁₁	C _{2.11}	C* _{3.11}	E	2F	N ₁₀	(N-W)	R	S	U	V ₄	ES	Approx. Ship Wt. (Lbs) _g
Short	5812S	2 Pole	60.0	10.00	95.3	121.3	11.50	45.0	7.13	6.75	2.880	0.875	3.375	6.50	5.0	9900
Short	5812S	4 Pole & Slower	60.0	10.00	96.6	122.6	11.50	45.0	8.38	8.00	3.436	1.000	4.000	7.75	6.0	10100

Certification: Customer _____ P.O. _____ S.O. _____ Item _____
 HP _____ RPM _____ Frame _____ PH/HZ/Volts 3/_____/_____
 By _____ Date _____ Terminal Box Size CI2 CI3 FS1.5
 Comments _____
 Not for construction, installation or application purposes unless certified.

CAZ_5812_2plusPL_SLV_ROT
 Revision 01
 01/27/09