

REVISION	DATE	BY	DATE	BY
			18/09/21	RM
		DRAWN		
		CHEK'D		
		VERIF'D		

CUSTOMER	
ORDER NO.	DWG. NO.
	1D1Y100ESCTP1
	SH 1 OF 2

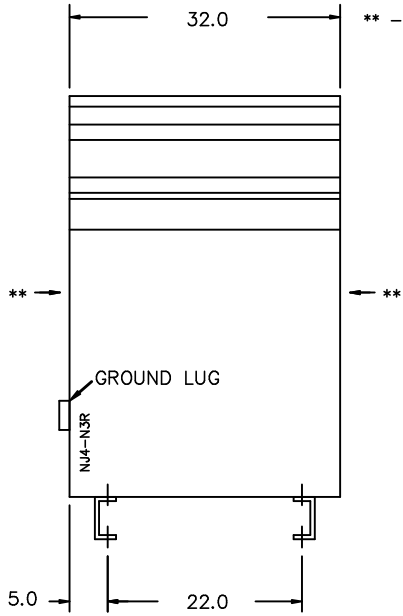
Siemens Industry, Inc.

SIEMENS

<p>CATALOG NO. 1D1Y100ESCTP1</p> <p>SERIAL NO. SERIES H</p> <p>100 kVA 60 Hz 1 PHASE</p> <p>5.1 % IMP AT 135 °C</p> <p>150 °C RISE 30 °C AVG. AMBIENT</p> <p>220 °C TEMP CLASS 40 °C MAX. AMBIENT</p> <p>PRIMARY (H1 H2) 240X480V V</p> <p>SECONDARY(X4 X2 X3 X1) 120/240V V</p> <p>WINDING MATERIAL CU</p> <p>ENCLOSURE TYPE 3R</p> <p>WEIGHT 760 LBS</p>	<p>HAM1253</p>	<table border="1"> <thead> <tr> <th>VOLTS</th> <th>CURRENT</th> <th>%RATED VOLTAGE</th> <th>CONNECTION EACH PHASE</th> </tr> </thead> <tbody> <tr><td>504</td><td>198</td><td>105</td><td>1-2</td></tr> <tr><td>492</td><td>203</td><td>102.5</td><td>2-3</td></tr> <tr><td>480</td><td>208</td><td>100</td><td>3-4</td></tr> <tr><td>468</td><td>214</td><td>97.5</td><td>4-5</td></tr> <tr><td>456</td><td>219</td><td>95</td><td>5-6</td></tr> <tr><td>444</td><td>225</td><td>92.5</td><td>6-7</td></tr> <tr><td>432</td><td>231</td><td>90</td><td>7-8</td></tr> <tr><td>240</td><td>416</td><td></td><td>H1-4,H2-3</td></tr> <tr><td>228</td><td>438</td><td></td><td>H1-6,H2-5</td></tr> <tr><td>216</td><td>462</td><td></td><td>H1-8,H2-7</td></tr> </tbody> </table>	VOLTS	CURRENT	%RATED VOLTAGE	CONNECTION EACH PHASE	504	198	105	1-2	492	203	102.5	2-3	480	208	100	3-4	468	214	97.5	4-5	456	219	95	5-6	444	225	92.5	6-7	432	231	90	7-8	240	416		H1-4,H2-3	228	438		H1-6,H2-5	216	462		H1-8,H2-7
VOLTS	CURRENT	%RATED VOLTAGE	CONNECTION EACH PHASE																																											
504	198	105	1-2																																											
492	203	102.5	2-3																																											
480	208	100	3-4																																											
468	214	97.5	4-5																																											
456	219	95	5-6																																											
444	225	92.5	6-7																																											
432	231	90	7-8																																											
240	416		H1-4,H2-3																																											
228	438		H1-6,H2-5																																											
216	462		H1-8,H2-7																																											
<p>SPACINGS BETWEEN ANY VENTILATED ENCLOSURE PANEL AND ANY ADJACENT WALL SHALL BE A MINIMUM OF 5 INCHES EXCEPT WHEN WALL MOUNTED USING APPROVED WALL MOUNTING KIT ELECTROSTATIC SHIELD, UNIT MEETS DOE 2016 EFFICIENCY</p> <p>SUITABLE FOR INDOOR OR OUTDOOR LOCATIONS DO NOT INSTALL IN AREAS ACCESSIBLE TO PUBLIC NE PAS INSTALLER DANS DES ENDROITS ACCESSIBLES AU PUBLIC FOR INSTALLATION SEE INSTRUCTION MANUAL</p>		<p>LISTED DISTRIBUTION TRANSFORMER 77US TYPE</p> <p>E112313 LR 3902</p>																																												
<p>NEMA Class ANN Dry Type Transformer Siemens Industry, Inc. Norcross, GA</p> <p style="text-align: right;">dsu.0602e</p>																																														

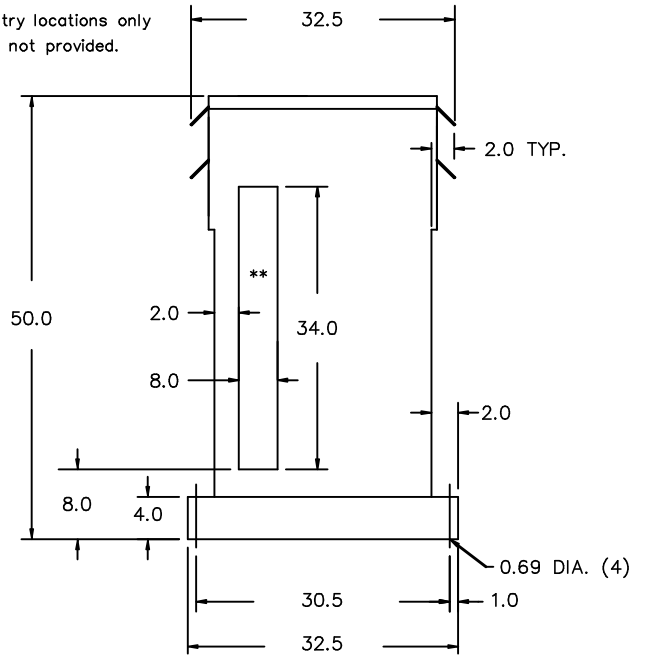


FRONT VIEW



** - Recommended cable entry locations only
cutouts & gland plates not provided.

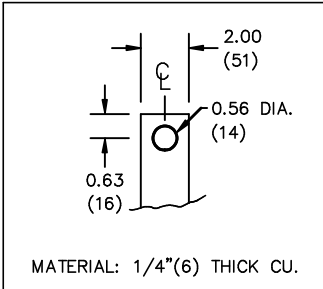
SIDE VIEW



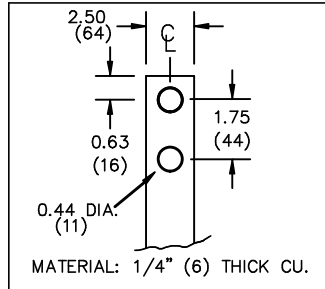
All Dimensions in inches

ENCLOSURE COLOR : ANSI 61 GREY - OUTDOOR

HV TERMINAL DETAIL



LV TERMINAL DETAIL



CUSTOMER NOTES:

- HV TERMINATED AT TOP FRONT
- LV TERMINATED AT BOTTOM FRONT

Siemens Industry, Inc.

REVISION	DATE	BY	DATE	BY	CUSTOMER
			18/09/21	RM	
			CHEK'D		
			VERIF'D		
		ORDER NO.		DWG. NO.	
				1D1Y100ESCTP1	
					SH 2 OF 2