

SIEMENS

Rainproof Combination Metering

Catalog Number

MM0202B1400SCL

Enclosure

Type 3R

Device Rating:

400 Amp, Max; 120/240 Volts~, 1 phase, 3 wire
208Y/120 Volts~ 1 Phase, 3 Wire with 5th Jaw installed
(derived from 3 phase, 4 wire system)

Meter Socket Rating: 400 Amp Max, 320 Amp Continuous

For installation by Qualified Person in accordance with all local electrical codes and/or the National Electrical Code.®

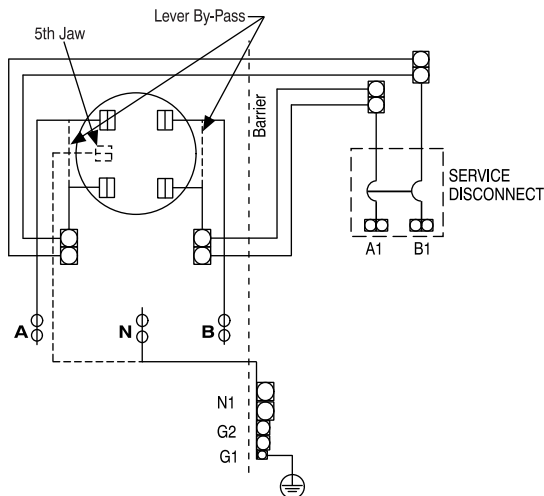
Suitable Only For Use As Service Equipment

For Overhead or Underground Service

Terminals Suitable for 60°/75° C Copper or Aluminum Conductor

General Information

Circuit breaker trip position is indicated by handle position midway between ON and OFF. To reset, move handle to OFF position then turn ON.



Line, Load, Neutral and Ground Terminals

Terminal	Wire Size	Torque
A, B, N		
SUK350TA	(2) #6-350 kcmil	275 lb-in
SUK600TA	#2-600 kcmil	375 lb-in
SUK1000TA	500-1000 kcmil	500 lb-in
G2	300 kcmil - #4	250 lb-in
G1	2/0 - #14	50 lb-in
A1, B1, N1 (TA2-J6500)	(2) 3/0-500 kcmil CU (2) 4/0-500 kcmil AL	300 lb-in

CAUTION:

Load circuit may be live with meter removed

Accessories:

- Flush Rail Kit ECFRK2
- 5th Jaw for Lever Bypass H35815-2
- Line Lug #6-350 kcmil SUK350TA
- Line Lug #2-600 kcmil SUK600TA
- Line Lug 500-1000 kcmil SUK1000TA
- Alt. Load Lug 500-750 kcmil (3 required) TA1-L6750

Line Terminals:

Provisions for UL listed NEMA mounting terminals. Compression terminals to #750 kcmil, single conductor, ILSCO type 2ACL. See lug manufacturer's instruction sheet supplied with the connector for tool, die, and number of crimps.

Tightening Torques:

- 5/16" Nuts(1/2" Drive).....130-140 in-lbs
- 3/8" Nuts(9/16" Drive).....240-260 in-lbs
- 1/2" Nuts(3/4" Drive)490-540 in-lbs

If hub is required, use Type HD catalog numbers listed below:

Trade size (in)	Catalog No.
2"	EC56854
2 1/2"	EC56855
3"	EC56856
3 1/2"	EC56857
4"	EC56858
Closure Plate	EC56933S

Short Circuit Current Rating (Wattour Meter not included in short circuit rating)

This panelboard has a maximum short circuit current rating of 22,000 Amps RMS symmetrical at 120/240 Volts~ with Siemens type JXD2-A breaker installed. Replacement breaker must be manufactured by Siemens and be of the correct type. Use of other circuit breakers in this equipment could result in personal injury or property damage and will void the warranty.

Important: Do not allow petroleum based (hydrocarbon) sprays, chemicals, solvents or any paint to contact interior components. Petroleum based chemicals can cause degradation of electrical insulating materials.