



REVISION	DATE	BY	DATE	BY
			16/04/27	RM
		DRAWN		
		CHEK'D		
		VERIF'D		

Confidential - Property of Siemens Industry, Inc.	
CUSTOMER	
ORDER NO.	DWG. NO.
	1D1Y030SSN4X
	SH 1 OF 2

SIEMENS

CATALOG NO. 1D1Y030SSN4X
SERIAL NO.
30 kVA 60 Hz 1 PHASE
4.2 % IMP AT 170 °C
150 °C RISE 30 °C AVG. AMBIENT
220 °C TEMP CLASS 40 °C MAX. AMBIENT
PRIMARY (H1 H3 H2 H4) 240X480 V
SECONDARY(X4 X2 X3 X1) 120/240 V
WINDING MATERIAL AL
ENCLOSURE TYPE 4X
WEIGHT 470 LBS

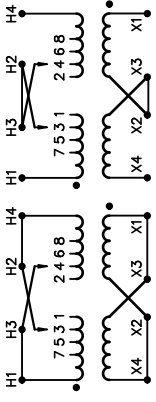

 E112313 LR 3902


SPACINGS BETWEEN ENCLOSURE AND ANY ADJACENT WALL SHALL BE A MINIMUM OF 3 INCHES

SUITABLE FOR INDOOR OR OUTDOOR LOCATIONS
 DO NOT INSTALL IN AREAS ACCESSIBLE TO PUBLIC
 NE PAS INSTALLER DANS DES ENDROITS ACCESSIBLES AU PUBLIC
 FOR INSTALLATION SEE INSTRUCTION MANUAL

NEMA Class ANC Dry Type Transformer Siemens Industry, Inc. Norcross, GA

CATALOG NO. 1D1Y030SSN4X

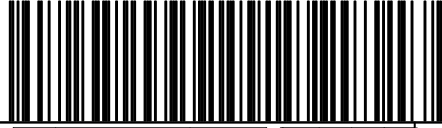


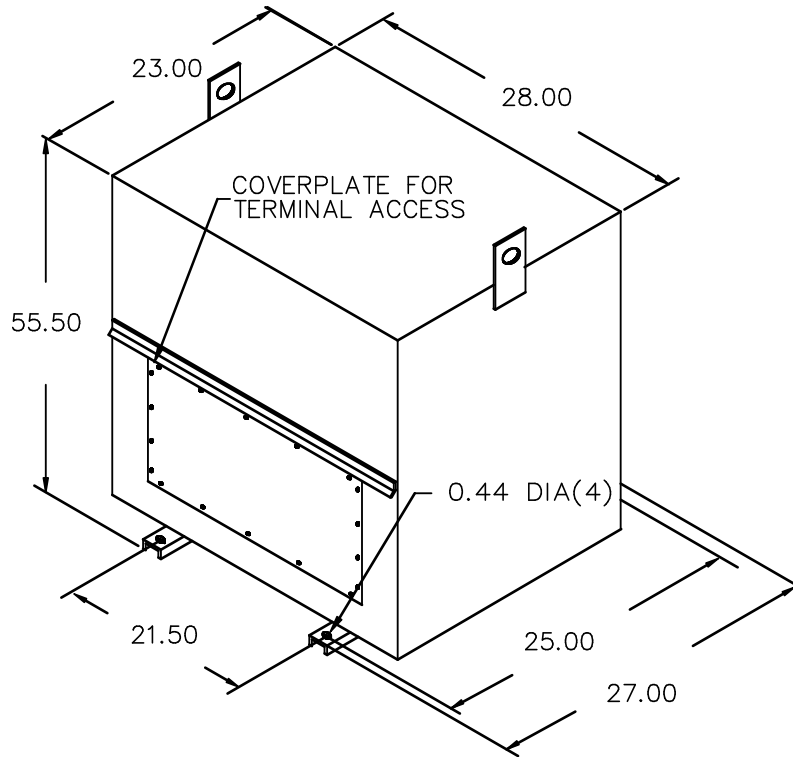
HAM1254

PRI. VOLTS	CONNECTION LINES TO	INTER-CONNECT
504	H1, H4	1-H2, 2-H3, H2-H3
492	H1, H4	3-H2, 2-H3, H2-H3
480	H1, H4	3-H2, 4-H3, H2-H3
468	H1, H4	5-H2, 4-H3, H2-H3
456	H1, H4	5-H2, 6-H3, H2-H3
444	H1, H4	7-H2, 6-H3, H2-H3
432	H1, H4	7-H2, 8-H3, H2-H3
252	H1, H4	1-H2,2-H3,H1-H3,H2-H4
240	H1, H4	3-H2,4-H3,H1-H3,H2-H4
228	H1, H4	5-H2,6-H3,H1-H3,H2-H4
216	H1, H4	7-H2,8-H3,H1-H3,H2-H4

SEC. VOLTS	CONNECTION LINES TO	INTER-CONNECT
240	X1, X4	X2-X3
120	X1, X4	X1-X3,X2-X4
240/120	X1, X2, X4	X2-X3

1D1Y030SSN4X





All Dimensions in inches

ENCLOSURE COLOR :316 STAINLESS STEEL

H.V.1. TERMINAL DETAIL

L.V.1. TERMINAL DETAIL

MECHANICAL TYPE LUGS INCLUDED
SUITABLE FOR 250MCM-6 CU/AL
CONDUCTORS
1 CONDUCTOR PER PHASE

MECHANICAL TYPE LUGS INCLUDED
SUITABLE FOR 600MCM-2 CU/AL
CONDUCTORS
1 CONDUCTOR PER PHASE

CUSTOMER NOTES:

- HV1 TERMINATED AT TOP FRONT
- LV1 TERMINATED AT BOTTOM FRONT
- C/W STAINLESS STEEL NAME PLATE

Confidential - Property of
Siemens Industry, Inc.

REVISION	DATE	BY	DATE	BY
		DRAWN	16/04/27	RM
		CHEK'D		
		VERIF'D		

CUSTOMER		
ORDER NO.	DWG. NO.	
	1D1Y030SSN4X	SH 2 OF 2