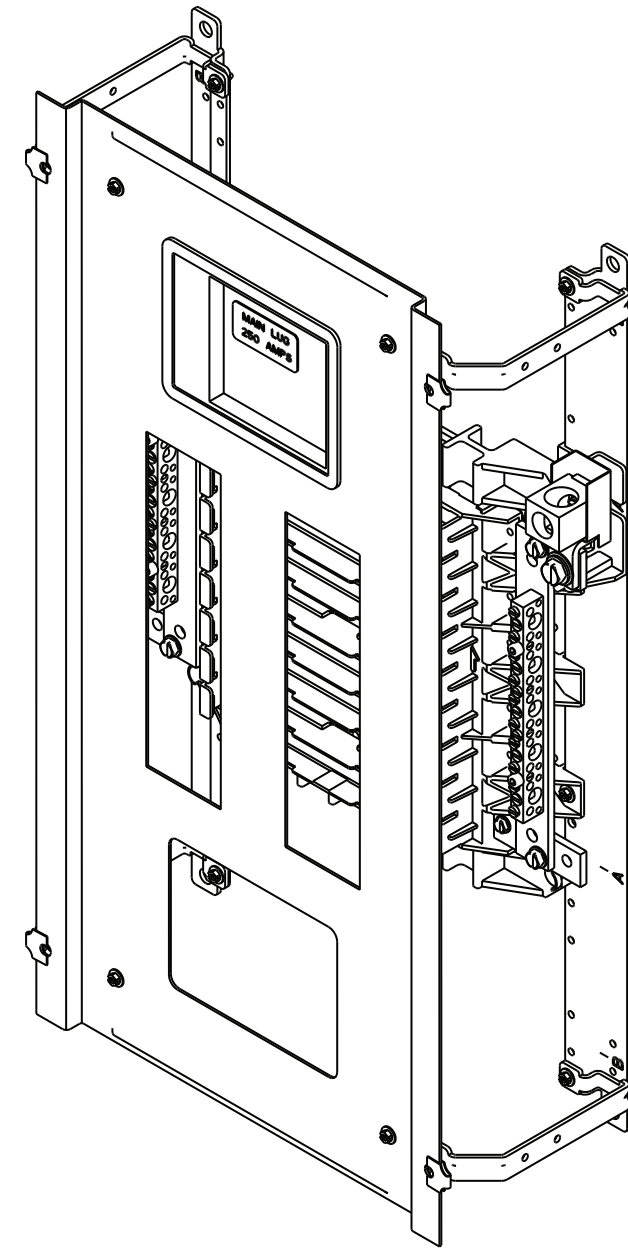


SIEMENS

P1-250 Panelboard Kit CNLK30A, CNLK42A & CNLK54A 250A Copper Neutral Lug Kits & also for P1-400 Subfeed (for use in Revised P1 Panelboards ONLY)¹

Installation
Instructions



These instructions do not purport to cover all details or variations in equipment, or to provide for every possible contingency to be met in connection with installation, operation or maintenance. Should further information be desired or should particular problems arise, which are not covered sufficiently for the purchaser's purposes, the matter should be referred to the local Siemens sales office. The contents of this Instruction manual shall not become part of or modify any prior or existing agreement, commitment or relationship. The sales contract contains the entire obligation of Siemens. The warranty contained in the contract between the parties is the sole warranty of Siemens. Any statements contained herein do not create new warranties or modify the existing warranty.

Trademarks - Unless otherwise noted, all names identified by ® are registered trademarks of Siemens AG or Siemens Industry, Inc. The remaining trademarks in this publication may be trademarks whose use by third parties for their own purposes could violate the rights of the owner.

¹ To confirm, note the part number of the panel (marked on the interior label). If it ends in an "N" or a "T" it is a "Revised P1" and is compatible with this kit. (For example: P1E42MC250A is an Original P1; P1E42MC250AT is a Revised P1)

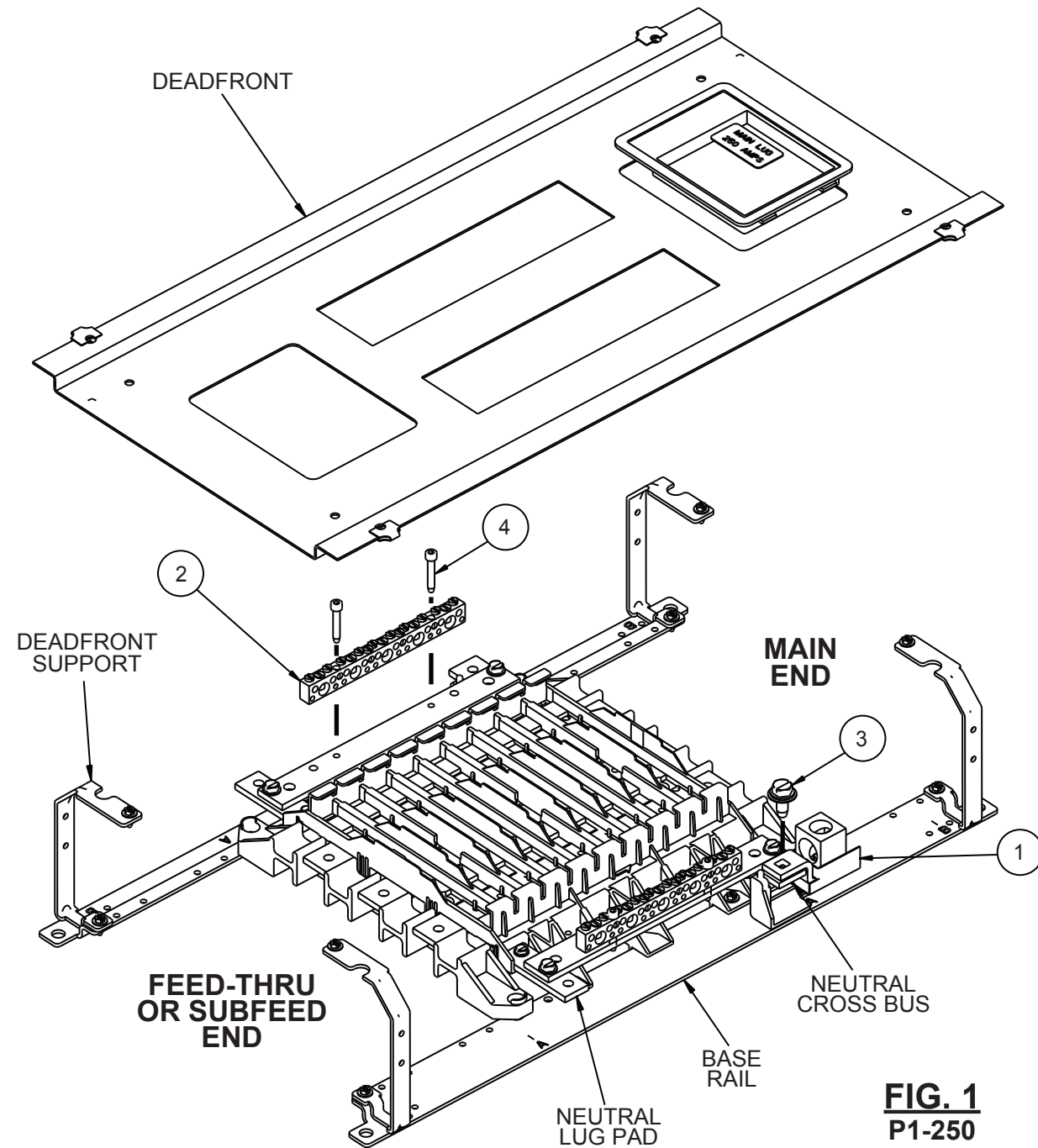


FIG. 1
P1-250

ITEM	DESCRIPTION	QTY
1	LINE LUG ASSEMBLY (for COPPER cable ONLY)	1
2	NEUTRAL CONNECTOR STRIP (for COPPER cable ONLY)	*
3	5/16"-18 HEX WASHER HEAD THREAD-FORMING SCREW	1
4	#10-24 SOCKET CAP HEAD THREAD-FORMING SCREW	**
5	ANTI-TURN PLATE	1
6	1/4"-20 X 1/2" HEX WASHER HEAD THREAD-FORMING SCREW	1
7	1/4"-20 X 1" CARRIAGE BOLT	1
8	1/4"-20 BELLEVILLE WASHER NUT	1

* (2) for 18, 30 & 42 circuits; (4) for 54 & 66 circuits.

** (4) for 18, 30 & 42 circuits; (8) for 54 & 66 circuits.

Installation Instructions

The following instructions are for the installation of Siemens optional neutral kits in a Revised P1 panelboard. The parts provided in this kit are for connection to a 1-phase 3-wire or 3-phase 4-wire system. The CNLK**A kits are for panels requiring copper mechanical connectors for 18, 30, 42, 54 & 66-circuits. (NOTE: Use CNLK30A for 18-circuit systems and CNLK54A for 66-circuit systems.)



1. Lock off all power supplying this equipment before working on it.
2. Remove the deadfront.
3. Remove the existing neutral connector strips and replace with neutral connector strips (item 2) and #10-24 thread-forming screws (item 4) provided.
4. Replace the line or main connector with the one (item 1) provided in this kit.
FEED-THRU or SUBFEED: It does NOT matter to which end of the panel the connector is mounted.
NON FEED-THRU or SUBFEED: Install connector at main end ONLY in a panel without feed-thru or subfeed space.
5. For the P1-250, position lug sub-assembly (item 1) on top of the cross bus and secure with a 5/16"-18 thread-forming screw (item 3).
6. For the P1-400 (to be used ONLY in conjunction with a subfeed breaker), position lug sub-assembly under the riser and insert carriage bolt (item 7) from beneath, as shown in Fig. 2. On the exposed stud, slide the anti-turn plate (item 5) on and then thread on the 1/4"-20 belleville washer nut (item 8). Finish by using the 1/4"-20 x 1/2" screw (item 6) through the anti-turn plate and into the riser.
7. Torque all connections to the values specified on the Hardware Tightening Torque label affixed to the rear of the deadfront.
8. Attach branch cables to the lugs and torque connections to the values specified on the device. If no values are specified refer to the Hardware Tightening Torque label affixed to the rear of the deadfront.
9. Before energizing the panel, ensure that all connections have been properly torqued, that the deadfront is installed and that all fillers are in place.

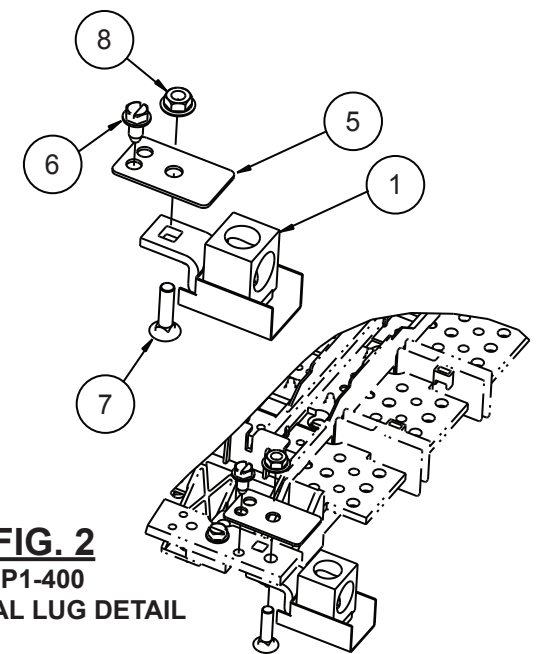


FIG. 2
P1-400
NEUTRAL LUG DETAIL