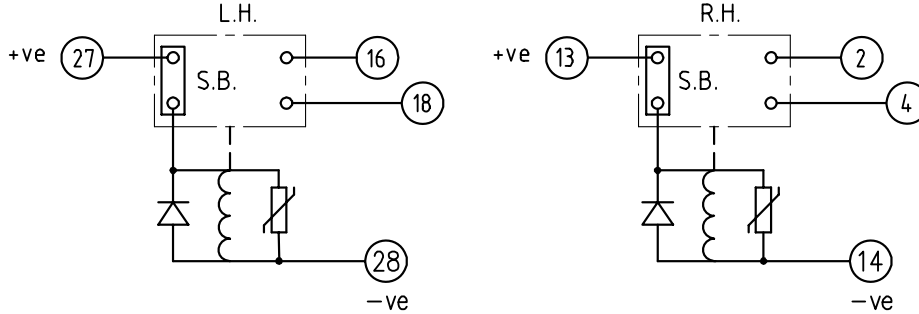


LOOKING ON FRONT OF RELAY

2112W50246

**NOT SUBJECT TO UPDATE  
ONCE COPIED / PRINTED  
OR DOWNLOADED**



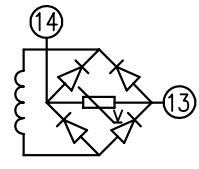
**CREATED 04/05/2020  
WORKS STANDARD  
IF IN DOUBT ASK**

**KEY**

- make contact
- break contact
- c/o contact
- ext. conn
- plug bridge - shorting
- metering point
- 5Kv barrier
- test socket - shorting
- plug & socket

CONTACT CONFIG.	OUTPUT CONTACT PAIR / TERMINAL No.					
R.H. →	1-3	2-4	5-7	6-8	9-11	10-12
L.H. →	15-17	16-18	19-21	20-22	23-25	24-26
1M 1SB	/	M	/	/	/	/
1B 1SB	/	B	/	/	/	/

NOTE: WHEN RECTIFIER IS SPECIFIED COIL CONNS. ARE AS SHOWN.



FRAME REFERENCE: E4FS09.  
 FRAME TERMINAL BLOCK ASSY: -  
 ASSEMBLY INSTRUCTIONS: -  
 TYPICAL ASSEMBLY DRAWING 2995G10032.  
 AT INDICATED POSITIONS FIT AS FOLLOWS:  
 T - FIT TRIP ISOLATION CONTACT 2995B10053  
 S - FIT STANDARD CONTACT 2995B10054  
 SECURE CONTACTS USING FIXING SCREW 2109F99009.  
 POSITIONS SHOWN BLANK ARE UNUSED

2	T		1
4	T		3
6			5
8			7
10			9
12			11
14	S	S	13
16	T		15
18	T		17
20			19
22			21
24			23
26			25
28	S	S	27

VIEW FROM NUMBERED SIDE OF BLOCK

OUTER TERMINAL BLOCK ASSY: -  
 ASSEMBLY INSTRUCTIONS: -  
 TYPICAL ASSEMBLY DRAWING 2995G10029.  
 AT INDICATED POSITIONS FIT AS FOLLOWS:  
 S - FIT STANDARD CONTACT 2995B10051  
 HC - FIT 'HEAVY CURRENT' KIT 2995G10030  
 WHERE IS SHOWN FIT CT SHORTING KIT 2995G10031  
 POSITIONS SHOWN BLANK ARE UNUSED.  
 ALL POSITIONS FIT SCREW 2106F12506.

2	S		1
4	S		3
6			5
8			7
10			9
12			11
14	S	S	13
16	S		15
18	S		17
20			19
22			21
24			23
26			25
28	S	S	27

VIEW FROM INSIDE FACE

1	12/05/15	MOD.No.	Title: T.B. & W.D. FOR AR212SBD 2 CONTACT RELAYS IN E4 CASE		First used on:
			SIEMENS PROTECTION DEVICES LTD.		Similar Articles:
ISSUE	DATE	MOD.No.	Original Scale:	Drg.No. <b>2112W50246</b>	
DRAWN: J. SPOWART	CHECKED:	APPROVED: N.C	DATE: 12-05-2015	IE:	OPS: