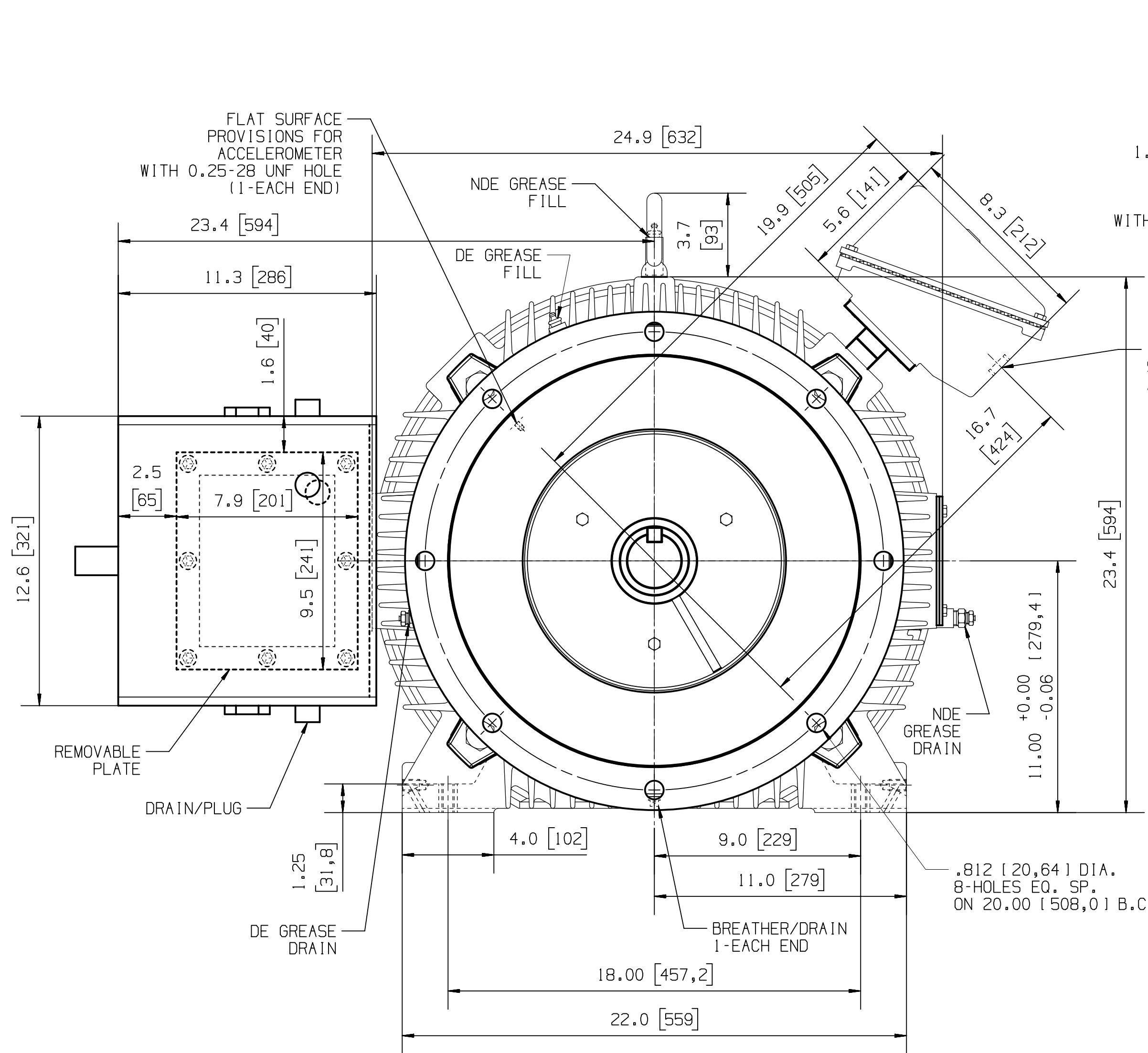
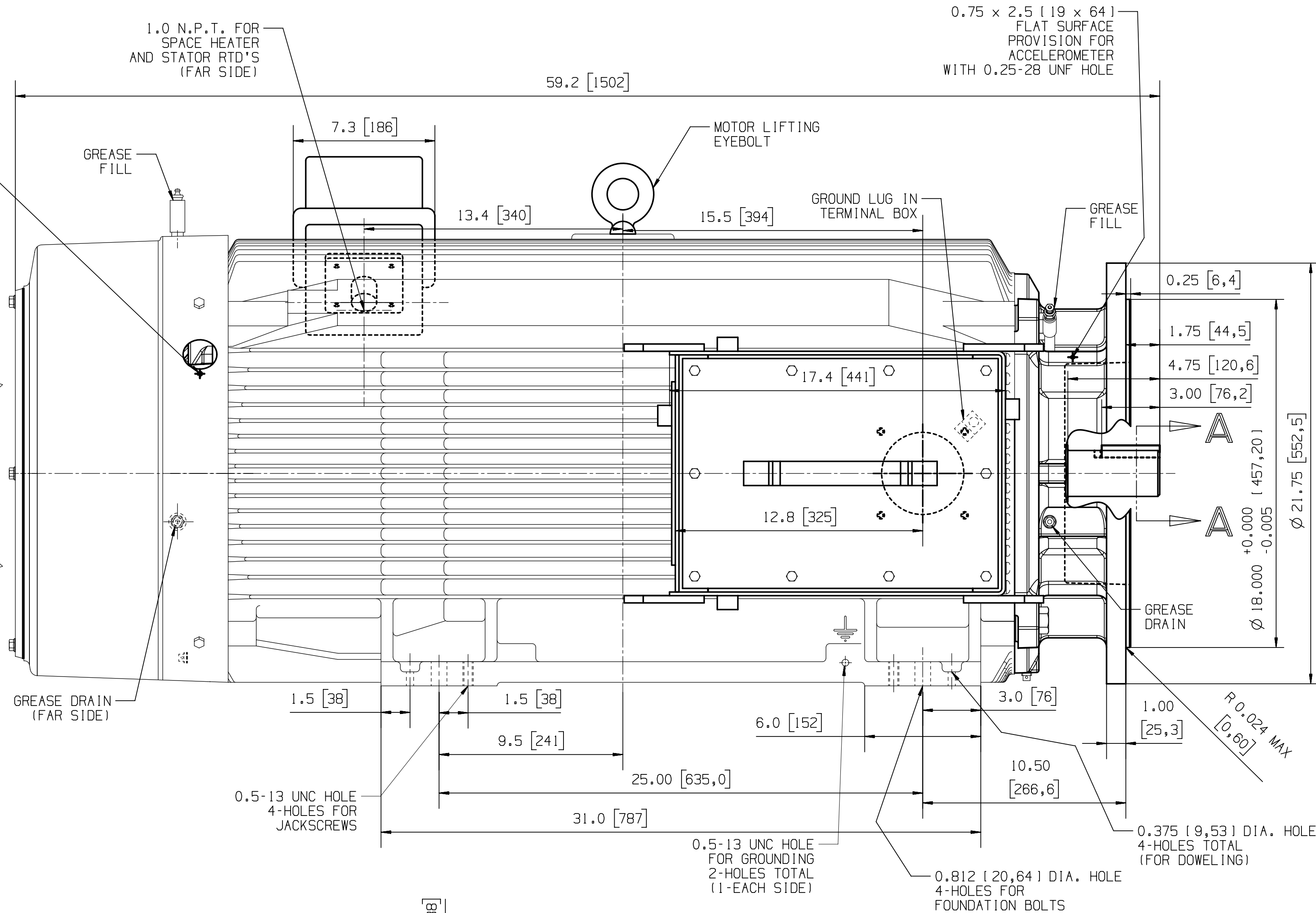
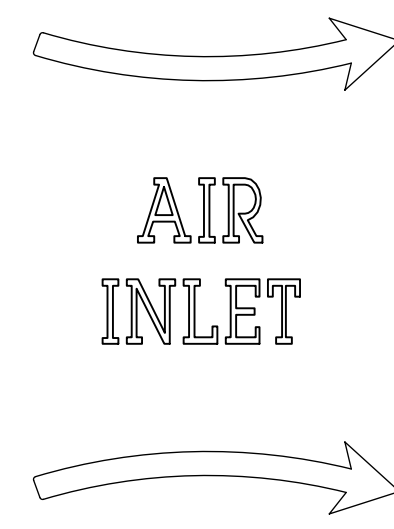


- NOTES:
1. MAIN CONDUIT BOX MAY BE ROTATED IN STEPS OF 90°.
 2. NON-DRIVE END BEARING IS INSULATED, INSULATE ANY CONNECTIONS TO THIS BEARING.
 3. FOR RELUBRICATION OF BEARINGS, SEE LUBRICATION PLATE ON MOTOR.
 4. FOR SAFETY PROCEDURES AND ALIGNMENT REQUIREMENTS, SEE INSTRUCTION MANUAL.
 5. SEE ROTATION PLATE ON MOTOR FOR DIRECTION OF ROTATION. DIRECTION OF ROTATION IS VIEWED FROM THE DRIVE END.
 6. MOTOR MUST BE SUPPORTED AT MOTOR FRONT FEET (NON-DRIVE END) AT ALL TIMES IN ADDITION TO "D" FLANGE.

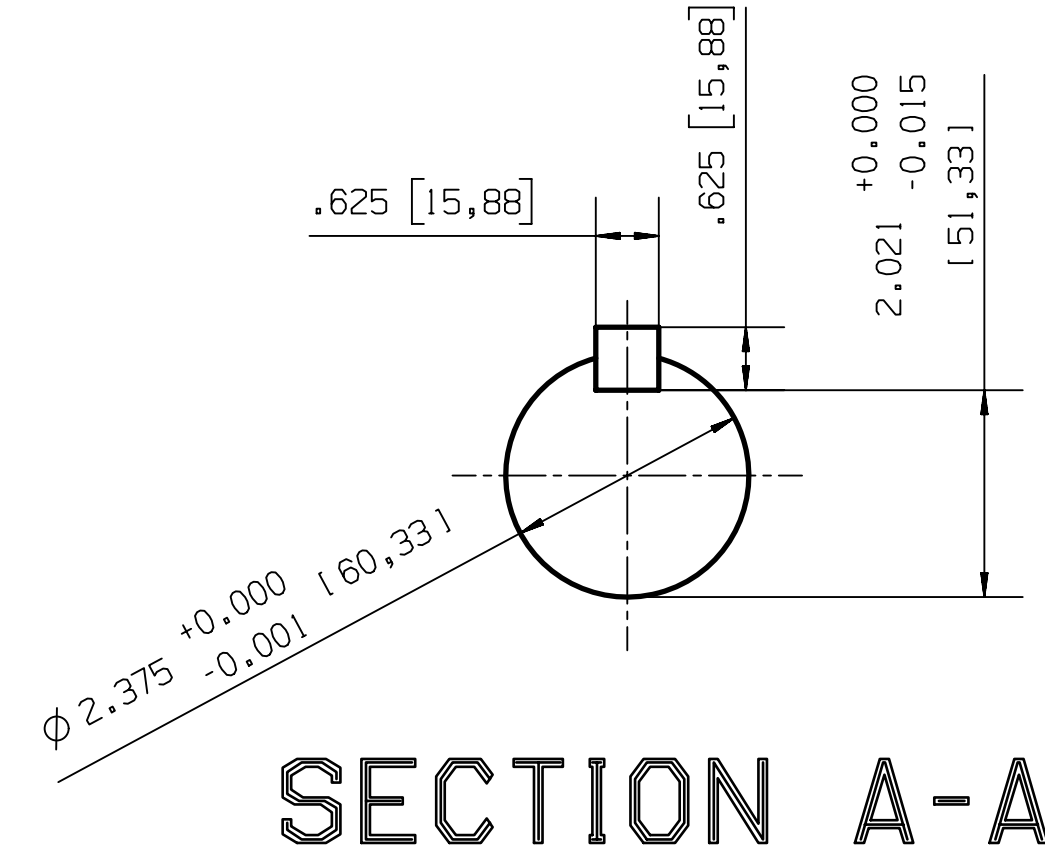
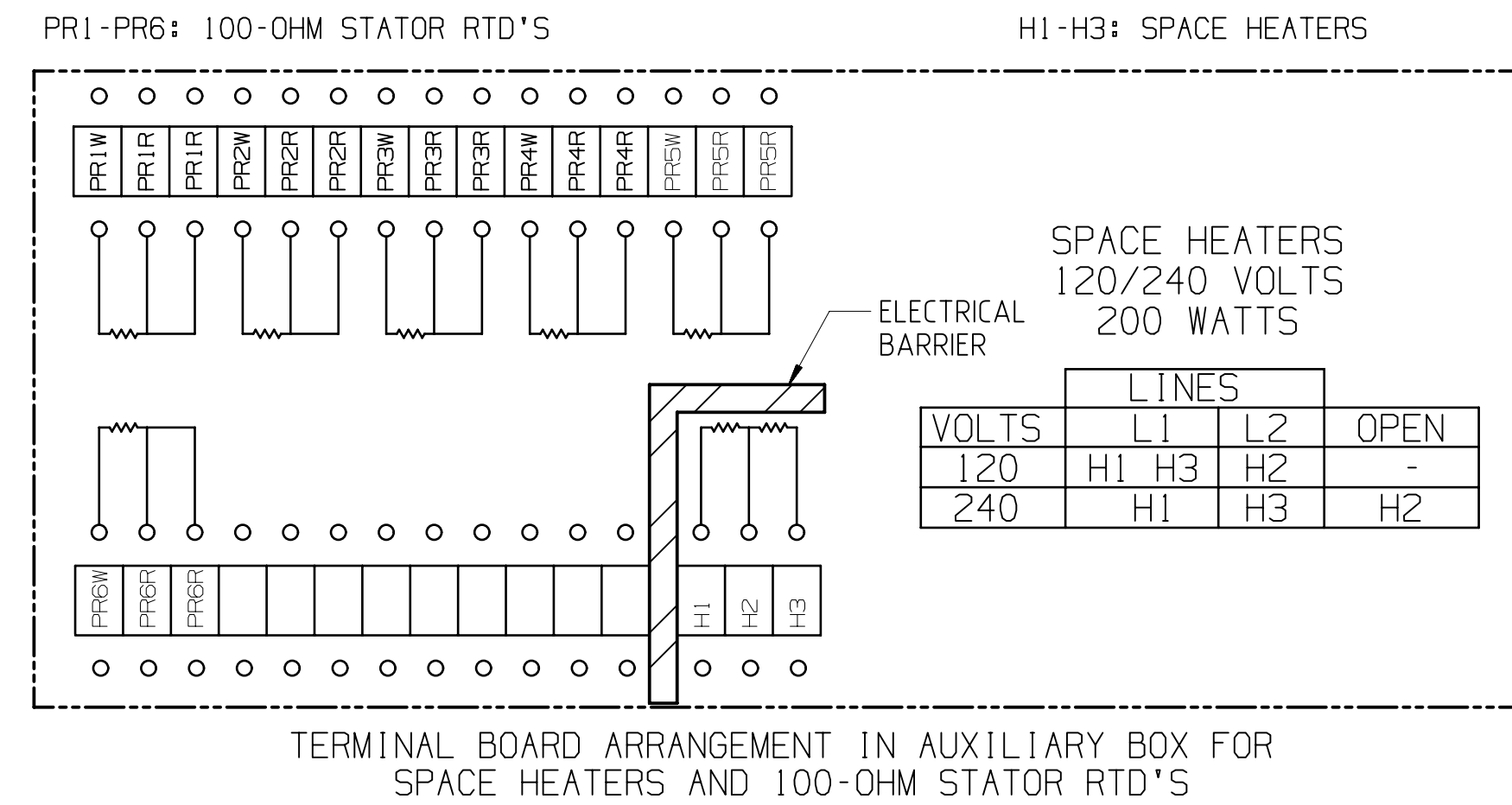
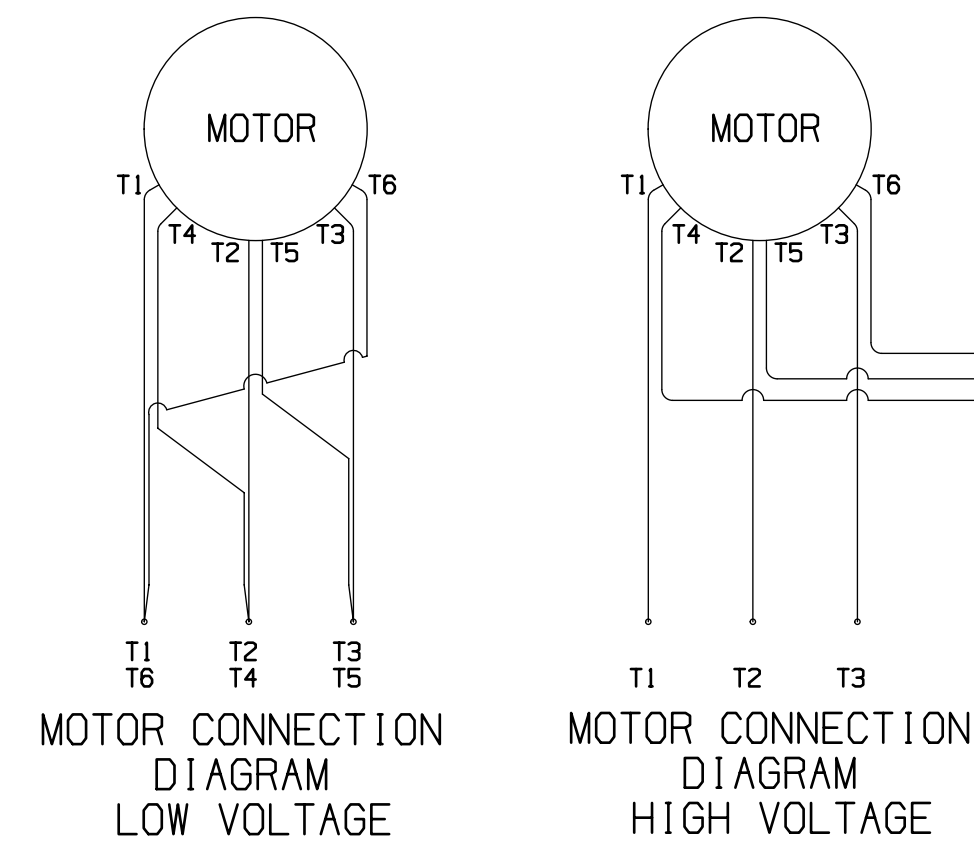


1.7 x 2.7 [43 x 68] FLAT SURFACE PROVISION FOR ACCELEROMETER WITH 0.25-28 UNF HOLE

1.0 N.P.T. FOR SPACE HEATER AND STATOR RTD'S



| RTD ALARM/SHUTDOWN DATA | | |
|-------------------------|--------|----------|
| | ALARM | SHUTDOWN |
| STATOR | 155 °C | 170 °C |



SIEMENS CERTIFIED PRINT
CUSTOMER INITIATED CHANGES MAY AFFECT PRICE AND DELIVERY
PRODUCTION WILL PROCEED ON THE BASIS OF THIS DRAWING

| | | | | |
|--------|------|-----------|----|----|
| FRAME | TYPE | VOLTS | PH | Hz |
| S449TS | TEFC | 2300/4000 | 3 | 60 |

| | | | |
|--------------|------------------------------|----------------|----------------|
| Author | Fortenboher | Product | MELBProduct-ID |
| Created | 2017-12-15 | Item No | A5E43765139A |
| Approved | 2018-11-05 Stengel | Doc No | |
| Department | NAM RC-US1 DT LD APP OPS ENG | Doc Language | en |
| Change Order | PSA00205531 | Doc Language | de |
| Doc State | Released | Revision State | AA |
| Revision | 001 | Revision State | AA |

SIEMENS 2017-2018