

Siemens Industry, Inc.  
Norcross, Ga 30092 U.S.A.

For questions call 1-800-241-4453 or our web site:  
<http://www.usa.siemens.com/dpd>


Item: Neutral Kit,  
Catalog Number HN656

For use with:  
400-600 Amp  
VBII Safety Switches

Page 1 of 1

Pc. No. 508145A02

## Installation Instructions for Standard Neutral Kit



**⚠ DANGER**

**Hazardous voltage.**  
Will cause death or serious injury.

Turn off and lock out all power supplying this Safety Switch before installing kit.

Replace the covers and shields before restoring power to switch.

**⚠ SAFETY INSTRUCTIONS**

**Note: This instruction outlines recommended installation procedure.**

1. Turn OFF and lock out the power supplying the Safety Switch.
2. Turn the Safety Switch OFF.

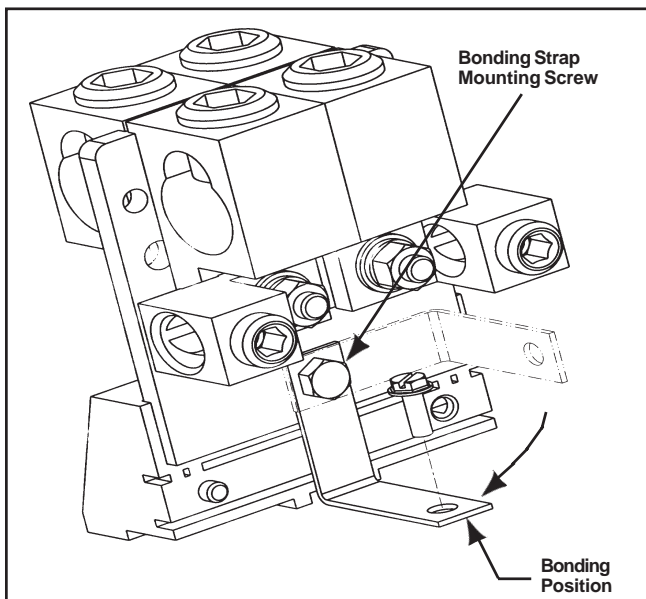


Fig. 1

3. When bonding is required:
  - a. Loosen Bonding Strap mounting screw and reposition Bonding Strap to the bonding position on the Neutral Assembly as shown in Fig. 1. Torque Bonding Strap mounting screw to 65 lb.-ins in this position.
  - b. If mounting neutral to a painted surface, remove and discard protective plate and mounting screw to expose bare metal, see Fig.2.
4. Position Neutral Assembly over existing holes as shown in Fig. 2.
5. Insert Neutral Mounting screws and torque to 64 lb.-ins.
6. When bonding is required place green thread rolling screw in Bonding Strap as shown in Fig. 2, and torque to 45 - 50 lb.-ins.
7. Install conductors and torque wire connector pressure screws to the values listed in the Torque Table on the interior label.
8. Close cover before supplying power to this switch.

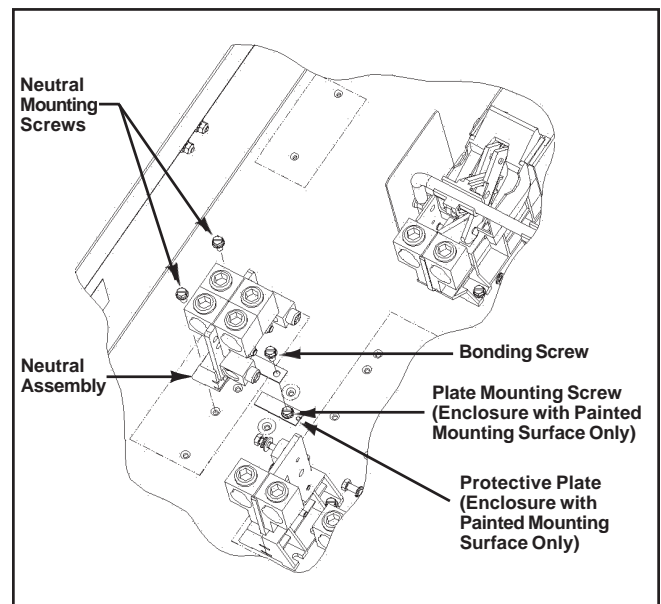


Fig. 2