

# SIEMENS

CATALOG NO. 3B5Y150D16

SERIAL NO.

SERIES H

150 kVA 60 Hz 3 PHASE

4.6 % IMP AT 170 °C

150 °C RISE 30 °C AVG. AMBIENT

220 °C TEMP CLASS 40 °C MAX. AMBIENT

PRIMARY ( X1 X2 X3 ) 208V V 10kV BIL

SECONDARY( H0 H1 H2 H3 ) 480Y/277V V 10kV BIL

WINDING MATERIAL AL

ENCLOSURE TYPE 3R WEIGHT 930 LBS

ENERGY EFFICIENCY EXCEEDS CSA DOE 10 CFR PART 431:2016  
C802.2-2012

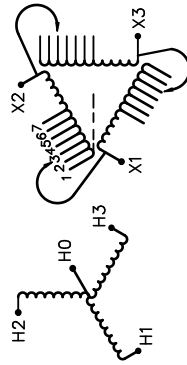
SPACINGS BETWEEN ANY VENTILATED ENCLOSURE PANEL AND  
ANY ADJACENT WALL SHALL BE A MINIMUM OF 5 INCHES  
EXCEPT WHEN WALL MOUNTED USING APPROVED WALL MOUNTING KIT  
TRANSFORMER SUITABLE FOR STEP UP OPERATION ONLY

SUITABLE FOR INDOOR OR OUTDOOR LOCATIONS  
BEFORE HANDLING, INSTALLING AND OPERATING, SEE INSTRUCTION MANUAL

NEMA Class ANN Dry Type Transformer

Siemens Industry, Inc. Norcross, GA

des00066ef



VOLTS  
218  
213  
208  
203  
198  
192  
187

CONNECT  
1  
2  
3  
4  
5  
6  
7



3B5Y150D16



TYPE K

DRY TYPE TRANSFORMER  
7705 E112313  
LR 3902

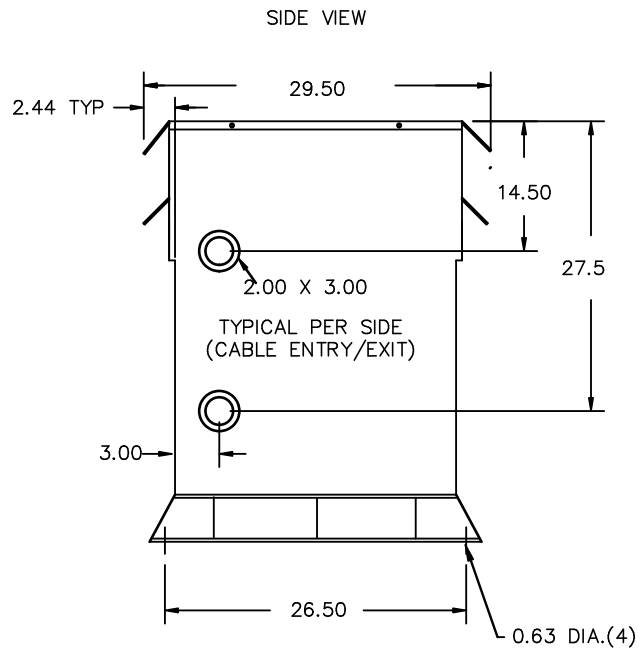
SEISMIC QUALIFICATIONS, FLOOR MOUNT ONLY  
OSP-0136-10 IBC 2012/ASCE 7-10  
SDS<=2.0g Z/h=1 ip=1.5

REVISION	DATE	BY	DATE	BY
		DRAWN	15/11/09	JW
		CHEK'D		
		VERIF'D		

Confidential - Property of Siemens Industry, Inc.		
CUSTOMER	ORDER NO.	DWG. NO.
		3B5Y150D16
		SH 1 OF 2



All Dimensions in inches

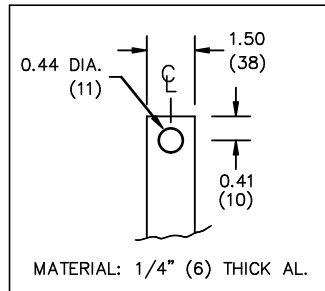


ENCLOSURE COLOR :ANSI 61 GREY – OUTDOOR

H.V.1. TERMINAL DETAIL

L.V.1. TERMINAL DETAIL

MECHANICAL TYPE LUGS INCLUDED  
SUITABLE FOR 350MCM-6 CU/AL  
CONDUCTORS  
1 CONDUCTOR PER PHASE



CUSTOMER NOTES:

- HV1 TERMINATED AT BOTTOM FRONT
- LV1 TERMINATED AT TOP FRONT

Confidential – Property of  
Siemens Industry, Inc.

REVISION	DATE	BY	DATE	BY
			DRAWN 15/11/09	JW
			CHEK'D	
			VERIF'D	

CUSTOMER	
ORDER NO.	DWG. NO. 3B5Y150D16
SH 2 OF 2	