



**SIEMENS**

*Ingenuity for life*

# Panelbuilder Program

P4 and P5 Power Panels  
and Switchboards

[usa.siemens.com/panelboards](http://usa.siemens.com/panelboards)

# This document covers Siemens Panelbuilder program for P4/P5 Power Panel and Switchboard products.

Siemens Panelbuilder program allows builders to utilize Siemens OEM files in conjunction with their own to build UL-listed panelboards and switchboards. This document covers the most commonly purchased parts from Siemens. The program is flexible – buy only the parts you need.

## Kit definitions:

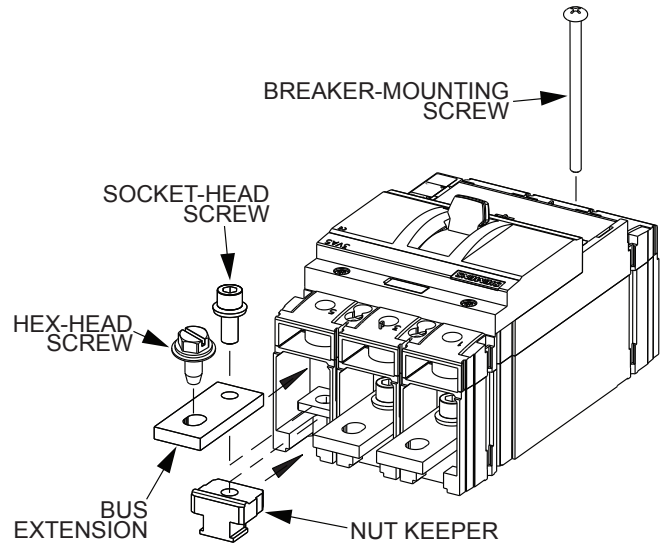
**Panelbuilder kit:** Contains all parts necessary to connect the breaker to the panel's bus.

**Bus kits:** Contain all the current carrying parts and any hard tooled items, such as molded barriers, die-made steel parts and specialty hardware. Will contain barrier support if top barrier is included.

**Steel kits:** include any steel or non-current carrying parts that do not require a mold or costly die to make. Typically these parts can be made on universal tooling such as punch and press brakes.

**Hardware kits:** Contain readily available hardware (not specialty items) needed for the assembly: common thread forming screws, machine screws, hex nuts, etc.

**3VA Breaker Provision Kit:** Contains the hardware, nut keepers and bus extensions to land the breaker to the strap kit.

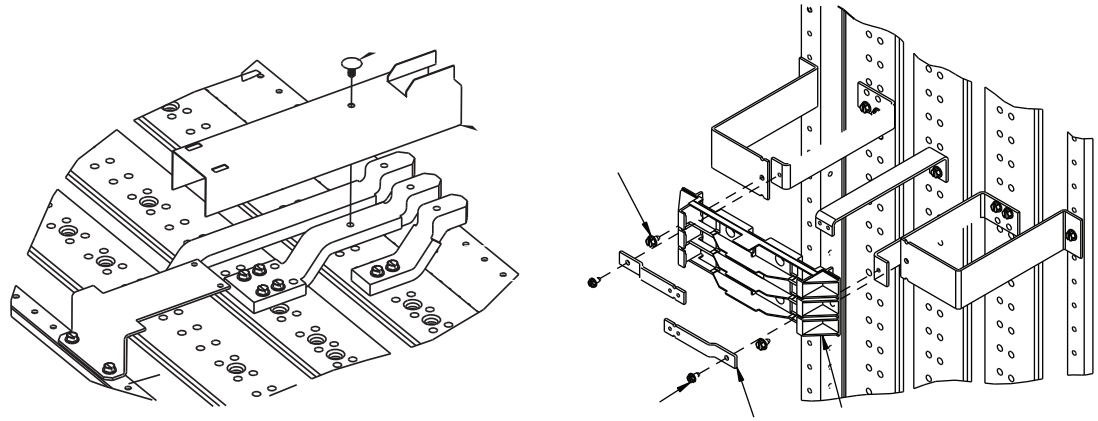


**P4 Power Panel Circuit Breaker kits** – these kits contain parts to connect the breaker to the distribution bus.

Panel Type	Breaker	Max. Volts	Current Rating	Distributor Kit	Panelbuilder Kit	Hardware Kit	Steel Kit	Bus Kit	Aluminum Bus Kit
P4	BL	240	100	SBL	KSBL	—	—	KSBLB	—
	BQD	480	100	SBL	KSBL	—	—	KSBLB	—
	GB	600	125	SNB	KSNB	—	—	KSNBB	—
	GB2	600	125	SGB2	KSGB2	KSGB2H	KSGB2S	KSGB2B	—
	ED	600	125	SE6	KSE6	KSE6H	KSE6S	KSE6B	KSE6B-A
	CED	600	125	SCE	KSCE	—	KSCES	KSE6B	—
	DG	600	150	SDG	KSDG	KSDGH	KSDGS	KSDGB	—
	3VA61 <sup>1</sup>	600	150	S3VA52T	KS3VA52T	KS3VA52TH	KS3VA52TS	KS3VA52TB	—
	QR	240	225	SQR	KSQR	KSQRH	KSQRS	KSQRB	—
	FD	600	250	SF6	KSF6	KSF6H	KSF6S	KSF6B	KSF6B-A
	3VA52, 3VA62 <sup>1</sup>	600	250	S3VA52T	KS3VA52T	KS3VA52TH	KS3VA52TS	KS3VA52TB	—
	CFD	600	250	SCF	KSCF	KSCFH	KSCFS	KSCFB	—
	FG	600	250	SFG	KSFG	KSFGH	KSFGS	KSFGB	—
	JD	600	400	SJ1	KSJ1	KSJ1H	KSJ1S	KSJ1B	—
	CJD	600	400	SCJ	KSCJ	—	KSCJS	KSCJB	—
	SJD	600	400	SSJ1	KSSJ1	KSJ1H	KSSJ1DS	KSJ1B	—
	SCJD	600	400	SCJD	KSCJD	KSCJDH	KSCJDS	KSCJDB	—
	JG	600	400	SJG	KSJG	KSJGH	KSJGS	KSJGB	—
	LD	600	600	SL6	KSL6	KSL6H	KSL6S	KSL6B	—
	SLD	600	600	SSL6	KSSL6	KSL6H	—	KSL6B	—
	CLD	600	600	SCL	KSCL	KSCJDH	KSCLS	KSCLB	—
	SCLD	600	600	SSCL	KSSCL	KSCJDH	KSSCLS	KSCJDB	—
	LG	600	600	SLG	KLSG	KSCLDH	KSLGS	KSLGB	—
MG	600	800	MG1	KMG1	KMG1H	KMG1S	KMG1B	—	

**Note:** When parts are not available use the full Panelbuilder kit. Distributor kit instructions can be used for installation and are available on the download center.

<sup>1</sup> For the field addition of a single 3VA52, 3VA61 or 3VA62 breaker, provision kit #S3VA52PR is required.



**P5 Power Panel and Switchboard Circuit Breaker Kits** – these kits contain parts to connect the breaker to the distribution bus.

Panel Type	Breaker	Max. Volts	Current Rating	Distributor Kit	Panelbuilder Kit	Hardware Kit	Steel Kit	Bus Kit	Aluminum Bus Kit
P5	BL	240	100	SBLD	KSBLD	KSBLBDH	KSBLBDS	KSBLBDB	—
	BQD	480	100	SBLD	KSBLD	KSBLBDH	KSBLBDS	KSBLBDB	—
	GB	600	125	SNBD	KSNBD	KSNBDH	KSNBDS	KSNBDB	—
	GB2	600	125	SGB2D	KSGB2D	KSGB2DH	KSGB2DS	KSGB2DB	—
	ED	600	125	SE6D	KSE6D	KSE6DH	KSE6DS	KSE6DB	KSE6DB-A
	CED	600	125	SCED	KSCED	KSCEDH	KSCEDS	KSE6DB	—
	DG	600	150	SDGD	KSDGD	KSDGDH	KSDGDS	KSDGDB	—
	3VA61 <sup>1</sup>	600	150	S3VA52TD	KS3VA52TD	KS3VA52TDH	KS3VA52TDS	KS3VA52TDB	—
	QR	240	225	SQRD	KSQRD	KSQRDH	KSQRDS	KSQRDB	KSQRDBA
	FD	600	250	SF6D	KSF6D	KSF6DH	KSF6DS	KSF6DB	KSF6DB-A
	CFD	600	250	SCFD	KSCFD	KSCFDH	KSCFDS	KSCFDB	—
	FG	600	250	SFGD	KSFGD	KSFGDH	KSFGDS	KSFGDB	—
	3VA52, 3VA62 <sup>1</sup>	600	250	S3VA52TD	KS3VA52TD	KS3VA52TDH	KS3VA52TDS	KS3VA52TDB	—
	JD (Single)	600	400	SJ1D	KSJ1D	KSJ1DH	KSJ1DS	KSJ1DB	KSJ1DB-A
	JD (Dual)	600	400	SJ2D	KSJ2D	KSJ2DH	KSJ2DS	KSJ2DB	KSJ2DB-A
	CJD	600	400	SCJD	KSCJD	KSCJDH	KSCJDS	KSCJDB	—
	SJD	600	400	SSJ1D	KSSJ1D	KSJ1DH	KSSJ1DS	KSJ1DB	—
	SCJD	600	400	SSCJD	KSSCJD	—	KSSJ1DS	KSCJDB	—
	JG (Single)	600	400	SJG1D	KSJG1D	KSJG1DH	KSJG1DS	KSJG1DB	—
	JG (Dual)	600	400	SJG2D	KSJG2D	KSJG2DH	KSJG2DS	KSJG2DB	—
	LD	600	600	SL6D	KSL6D	KSJ1DH	KSJ1DS	KSL6DB	KSL6DB-A
	CLD	600	600	SCLD	KSCJD	KSCJDBH	KSCJDS	KSCJDB	—
	SLD	600	600	SSL6D	KSSL6D	KSL6DH	KSSJ1DS	KSL6DB	—
	SCLD	600	600	SCLD	KSCLD	—	KSSCJDS	—	—
	LG	600	600	SLGD	KLSGD	KSLGDH	KSLGDS	KSLGDB	—
	MD	600	800	SMND	KSMND	KSMNDH	KSMNDS	KSMNDB	—
	SMD	600	800	SSMND	KSSMND	KSMNDH	KSSMND	KSMNDB	—
	MG	600	800	MG1D	KMG1D	KMG1DH	KMG1DS	KMG1DB	—
	ND	600	1200	SMND	KSMND	KSMNDH	KSMNDS	KSMNDB	—
	SND	600	1200	SSMND	KSSMND	KSMNDH	KSSMND	KSMNDB	—
	NG	600	1200	NG1D	KNG1D	KNG1DH	KNG1DS	KNG1B	—

**Note:** When parts are not available use the full Panelbuilder kit. Distributor kit instructions can be used for installation and are available on the download center.

<sup>1</sup> For the field addition of a single 3VA52, 3VA61 or 3VA62 breaker, provision kit #S3VA52PR is required.

#### Kit Examples

**KSNBDH (hardware):** Contains neutral lug and connection bolts

**KSNBDS (steel):** Contains cover plate only

**KSNBDB (bus):** Contains bus straps, top barrier and mounting plate

**KSF6DH (hardware):** Contains neutral lug, bolts, screw and nuts

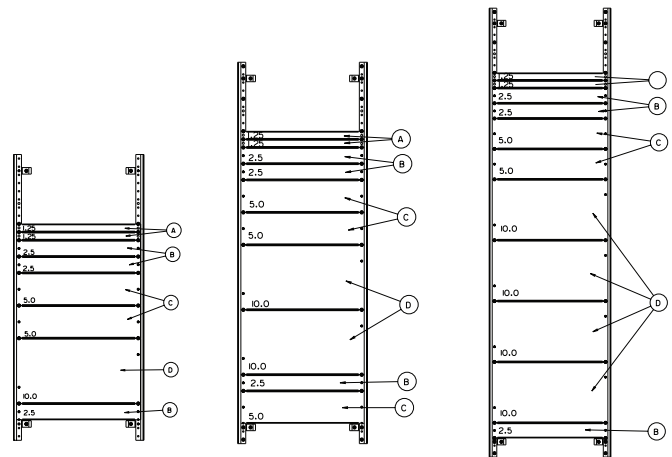
**KSF6DS (steel):** Contains mounting bracket and cover plate

**KSF6DB (bus):** Contains bus strap

# Commonly used spare parts

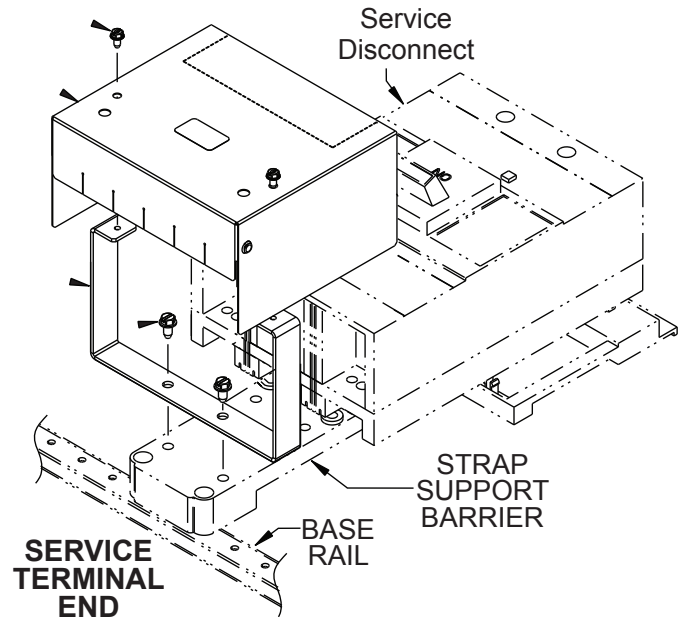
## Filler plates

Drawing image	Catalog number	Description	Mounting space used
	DFFP1	BL, BQD, ED filler plate	1"
A	6FPB01	Blank unit space plate	1.25"
B	6FPB02	Blank unit space plate	2.5"
C	6FPB03	Blank unit space plate	3.75"
D	6FPB05	Blank unit space plate	5"
E	6FPB10	Blank unit space plate	10"



## Service entrance barriers

Breaker Type	Catalog Number
(S)JD, (S)LD, MG	SEBP4V1
CJD, CLD	SEBP4V2
JG, LG	SEBP4V3
(S)MD, (S)ND without shield	SEBP5V1
NG, (S)MD, (S)ND with shield	SEBP5V2



Published by  
Siemens Industry, Inc. 2019.

Siemens Industry, Inc.  
5400 Triangle Parkway  
Norcross, GA 30092

For more information, please contact  
our Customer Support Center.  
Phone: 1-800-241-4453  
E-mail: [info.us@siemens.com](mailto:info.us@siemens.com)

[usa.siemens.com/panelboards](http://usa.siemens.com/panelboards)

Order No.: PDBR-PBLDR-0419  
Printed in U.S.A.

© 2019 Siemens Industry, Inc.

The technical data presented in this document is based on an actual case or on as-designed parameters, and therefore should not be relied upon for any specific application and does not constitute a performance guarantee for any projects. Actual results are dependent on variable conditions. Accordingly, Siemens does not make representations, warranties, or assurances as to the accuracy, currency or completeness of the content contained herein. If requested, we will provide specific technical data or specifications with respect to any customer's particular applications. Our company is constantly involved in engineering and development. For that reason, we reserve the right to modify, at any time, the technology and product specifications contained herein.