

Catalog Numbers

Catalog No.	Amperage Rating	Max. Interrupting Rating
3 PHASE, 4 WIRE, 240V AC MAX		
WB3450B	450	65,000
WB3450BU	450	100,000
WB3500B	500	65,000
WB3500BU	500	100,000
WB3600B	600	65,000
WB3600BU	600	100,000



- TYPE 3R OUTDOOR ENCLOSURE
- MAIN BUS RATING: 1200A MAX., 240V AC Max.
- 3 PHASE
- FOR UNDERGROUND SERVICE ONLY
- MOUNTING RAILS AND ADJUSTABLE BRACKETS FOR SECURE MOUNTING

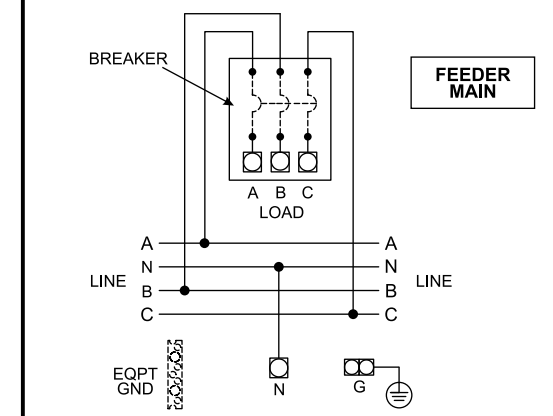
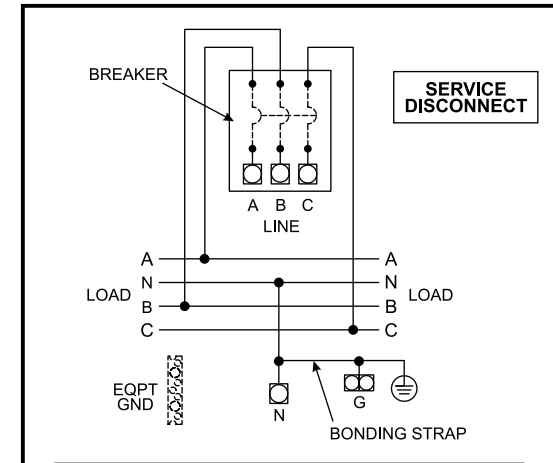
Additional Modules

IMPORTANT - for use with:

Module Description	Siemens Series#
Main Breakers	WB(M), WEB(M), WXB, BFT
Switches	WMP, WS, WES, WXS
Tap/Terminal Boxes	WTB, WET, WT_PU, WTBN, WBT
Pull Boxes	WMMB
Meter Module	(W)MM, (W)MT, (W)ML, (W)MK, (W)MLZ(F), (W)MN
Meter Combinations	WC, WCL, WCT,
Extension Box	WSP, WSPD
Bussed Elbow	BE, WELB

Connect Modules Using:	Catalog Number / Torque
QuickConnect	QC4, Torque 400-440 lb-in (35-36 ft.-lb.)

Schematic



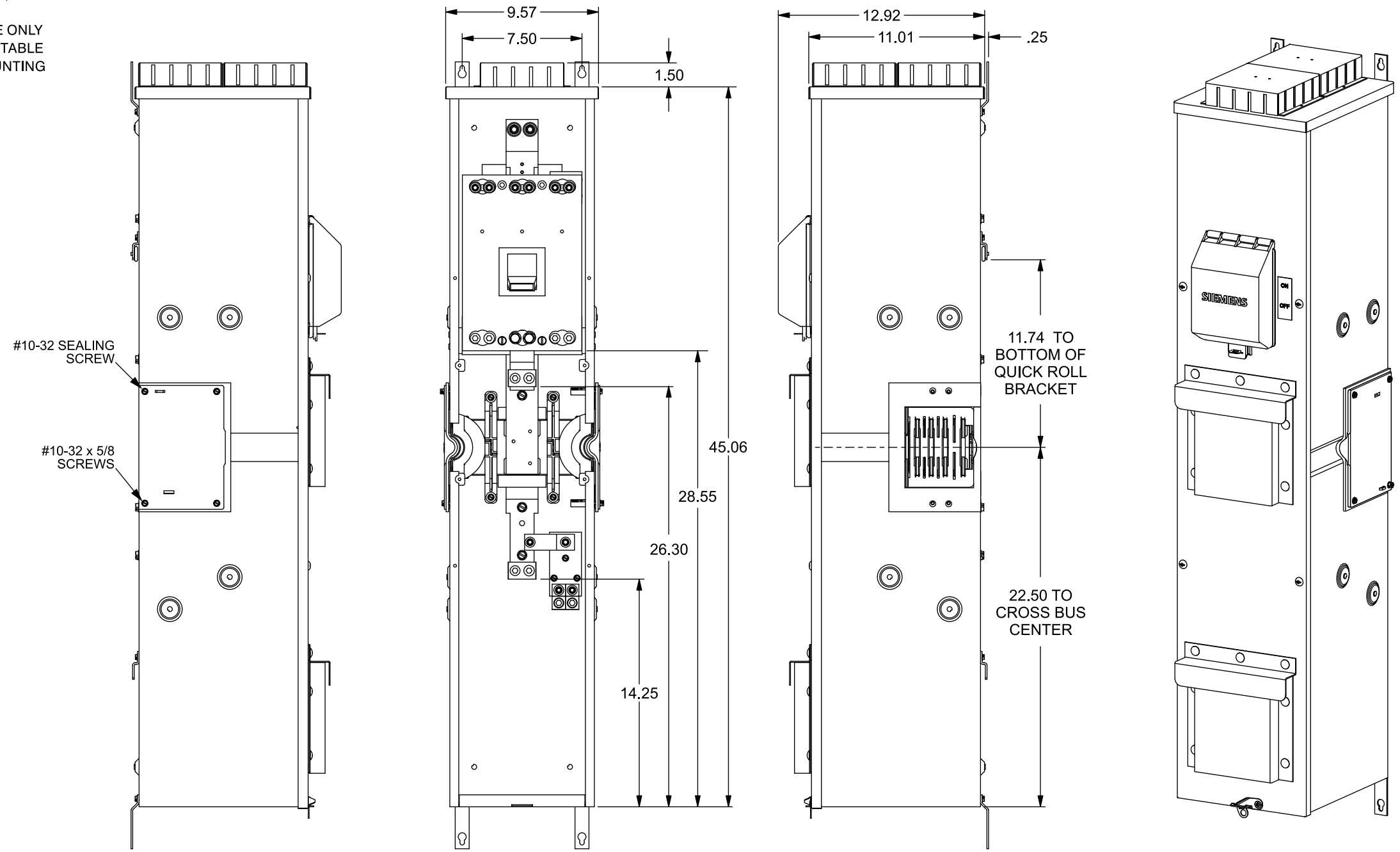
Terminals A, B, C and N:
Wire size (2) 3/0-500 kcmil CU or (2) 4/0-500 kcmil AL.
Torque terminals to 300 lb-in.
Ground terminal G:
Wire size #4-300 kcmil. Torque terminal to 250 lb.-in.

Accessories

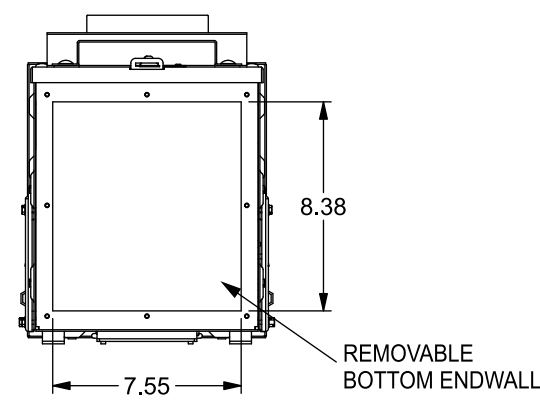
Equip Ground Acc'y	Cat. No.	ECLX069M
Small Terminals	Wire Range / Torque	Large Terminals
10-14 AWG 20 lb-in		10-14 AWG 35 lb-in
8 AWG 25 lb-in		8 AWG 40 lb-in
6 AWG 35 lb-in		1/0-6 AWG . 45 lb-in

Ground Bar Kit	ECLX069M
Ground Lug Kit (3 Position)	ECGLK3300, (3) #6-300kcmil, Torque 250 lb-in
Ground Lug Kit (6 Position)	ECGLK6300, (6) #6-300kcmil, Torque 250 lb-in
Breaker Lug Kit (factory installed) . .	LK32500 (kit includes 4 lugs)

FRONT VIEW SHOWN WITH COVER AND SHIELDS REMOVED



#10-32 SEALING SCREW
#10-32 x 5/8 SCREWS



REMOVABLE BOTTOM ENDWALL

© 2018 Copyright Siemens Industry, Inc.

SIEMENS
Siemens Industry, Inc.

PowerMod™ Breaker Mains

Description: **450-600A, 3 Phase, Bottom Feed Skinny Mains**

KAM 8/6/18 DO NOT SCALE DRAWING Dwg. No. **WB3450B-WB3600BU**