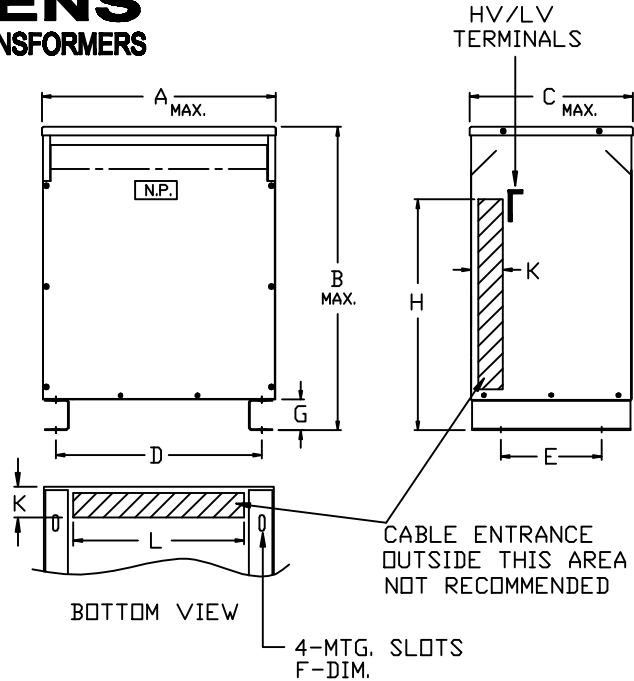


SIEMENS

DRY TYPE TRANSFORMERS

NOTES:

1. ALL UNITS ARE UL LISTED AND ARE DESIGNED IN ACCORDANCE WITH ANSI C89.2 AND NEMA ST-20 STANDARDS.
2. THESE TRANSFORMERS UTILIZE A UL RECOGNIZED 220°C INSULATION SYSTEM, TEMPERATURE RISE AS INDICATED IN THE TABLE.
3. TRANSFORMERS ARE DRY TYPE, CLASS AA, VENTILATED ENCLOSURE FOR INDOOR USE. OPTIONAL WEATHER KITS ARE AVAILABLE FOR ADAPTING THE UNIT FOR 3R USE WITHOUT VOIDING THE UL LABEL.
4. FOR LIFTING OTHER THAN WITH FORK TRUCK, REMOVE TOP COVER AND USE CORE CLAMPS FOR 100KVA & UP.
5. PAINT COLOR IS ANSI #61 GRAY.
6. FULL WIDTH COPPER ELECTROSTATIC SHIELD (OPTIONAL).
7. 6" REQUIRED CLEARANCE FROM THE WALLS.
8. HV/LV TERMINALS ARE TOP FRONT TERMINATED.



| KVA | TEMP. RISE °C | NET WT. LBS. | DIMENSIONS IN INCHES | | | | | | | | | |
|------|---------------|--------------|----------------------|-------|-------|-------|-------|------------|------|-------|------|-------|
| | | | A | B | C | D | E | F | G | H | K | L |
| 15 | 115 | 300 | 15.00 | 27.00 | 15.00 | 12.50 | 11.00 | .56 x 1.13 | 3.00 | 19.00 | 3.00 | 10.00 |
| 25 | 115 | 400 | 17.00 | 29.00 | 17.00 | 14.00 | 13.00 | .56 x 1.13 | 3.00 | 20.00 | 3.00 | 11.00 |
| 37.5 | 115 | 550 | 20.00 | 31.00 | 18.00 | 16.88 | 14.00 | .56 x 1.13 | 3.00 | 20.00 | 3.00 | 14.00 |
| 50 | 115 | 700 | 22.00 | 32.00 | 20.00 | 19.00 | 16.00 | .56 x 1.13 | 3.00 | 22.00 | 3.00 | 16.00 |
| 75 | 115 | 850 | 22.00 | 34.00 | 22.00 | 19.00 | 16.00 | .56 x 1.13 | 3.00 | 26.00 | 3.00 | 16.00 |
| 100 | 115 | 1050 | 22.00 | 36.00 | 24.00 | 19.00 | 18.00 | .56 x 1.13 | 3.00 | 28.00 | 3.00 | 16.00 |
| 167 | 115 | 1425 | 35.00 | 46.00 | 30.00 | 31.50 | 25.00 | .56 x 1.13 | 3.00 | 32.00 | 5.00 | 27.50 |
| 200 | 115 | 1670 | 35.00 | 52.00 | 30.00 | 31.50 | 25.00 | .56 x 1.13 | 3.00 | 32.00 | 5.00 | 27.50 |
| 225 | 115 | 1825 | 35.00 | 52.00 | 30.00 | 31.50 | 25.00 | .56 x 1.13 | 3.00 | 32.00 | 5.00 | 27.50 |
| 250 | 115 | 1960 | 35.00 | 52.00 | 30.00 | 31.50 | 25.00 | .56 x 1.13 | 3.00 | 32.00 | 5.00 | 27.50 |
| 333 | 115 | 3090 | 48.00 | 60.00 | 33.00 | 42.00 | 27.00 | .56 x 1.13 | 4.00 | 36.00 | 5.00 | 34.00 |

| KVA | QTY. | CATALOG NO. | VOLTAGE | | TAPS | DRAWING |
|-----|------|-------------|---------|-----------|------|-----------------------------------|
| | | | PRIMARY | SECONDARY | | |
| | | | | | | <input type="checkbox"/> APPROVAL |
| | | | | | | <input type="checkbox"/> RECORD |
| | | | | | | <input type="checkbox"/> OTHER |

| | | |
|-------|-----------|--|
| CUST. | DWN. BY: | Siemens Industry, Inc. |
| | DATE: | |
| JOB | CHK. BY: | GENERAL PURPOSE TRANSFORMERS SINGLE-PHASE, 600 VOLTS CLASS, 60 HZ. K-FACTOR (1) RATED - COPPER - TP1 |
| P.O. | DATE: | |
| TIE | APVD. BY: | |
| S.O. | DATE: | DWG. NO. J-120 |
| | | REV. D DATE 06/22/11 |