



Siemens.com/mobility

## QJN1 Relay

A dc neutral, tractive armature, slow release relay

### General data

Contact Arrangement:	4F 4B, 6F 2B
Nominal Rated Voltage:	12V, 24V and 50V dc
Approximate Weight:	1.4 kg

Note: Refer to the following data sheets:

- 7-1-1 for general information and contact ratings.
- 7-2-1 for dimensions.
- 8.2 for tools.
- 8.3 for plugboard and connector details.

Refer overleaf for specific data.



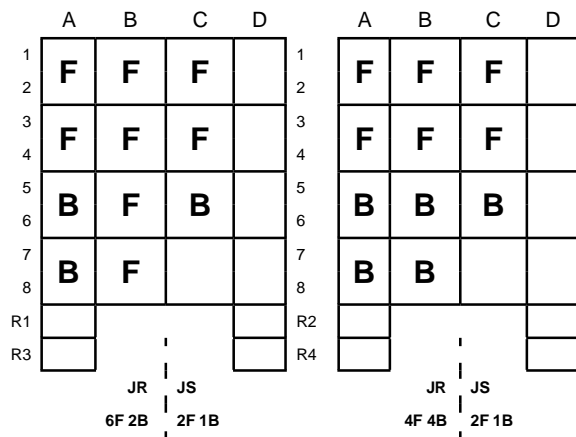
B18524/4 Variant

### Description

The unit incorporates a thermal timing unit and a neutral relay which eliminates the need for a separate J.R. (final time out relay).

An adjustable time delay is provided with a range from 30 seconds to 120 seconds. In addition both relays are slugged to give slow operation and immunity to short supply interruptions.

## Contact layout viewed from rear



## Packaging

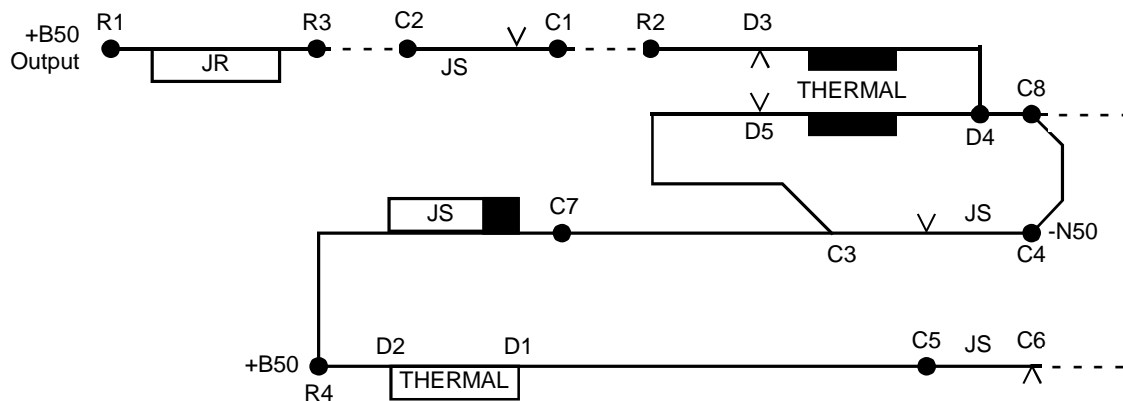
Q-Relays are packed in a carton holding ten relays; the same container is used for quantities of four to nine relays. Quantities less than four are packed individually in cardboard boxes, as are all train-carried relays. Each container has a bar-coded label affixed to the outside, stating details of the packaged relay(s) and the quantity therein.

## EMC Compliance

Q-Relays comply with the relevant emission requirements of EN 55014. It is considered that these relays have inherent immunity to in-service electro-magnetic disturbance.

A Technical Certificate for EU Directive on EMC (89/336/EEC) has been obtained.

## Relay Circuit



NOTES: Supply connections: B50 to R4 and N50 to C4.

Dotted lines represent external links required on the plugboard.



## Technical data

SIEMENS Part No. (PAD No.)	CONTACT ARRANGEMENT	RATED VOLTAGE (V dc)	PIN CODE	COIL RES (OHMS)	WDG SPEC 1/108/-	MAX FULL OP. (V dc)	MIN REL (V dc)	PLUGBOARD	REQD No. OF CONNECTORS J4137/3	REMARKS
B18525/1 (85/001910)	4F 4B	50	1053 LNCJK	1150 1150	133 133	40	7.5	J4138/153	25	BRB SPEC. 962 30-120 Seconds
B18525/2 (85/001900)	6F 2B	50	1059 LDEFJ	1150 1150	133 133	40	7.5	J4138/154	25	BRB SPEC. 962 30-120 Seconds
B18525/3 (85/001890)	4F 4B	24	1052 LMNCH	280 280	148 148	19.2	3.6	J4138/155	25	BRB SPEC. 962 30-120 Seconds
B18525/4 (85/001880)	6F 2B	24	1054 MNCJK	280 280	148 148	19.2	3.6	J4138/156	25	BRB SPEC. 962 30-120 Seconds
B18525/5	4F 4B	12	XBEFH	LH 64 RH 60	100 98	9.6	1.8	J4138/273	25	30-120 Seconds



Un-drilled plugboard  
Part No. E7218/1

Representation of Relay,  
Plugboard and Retaining clip  
(Clip Part No. J4136/1)

