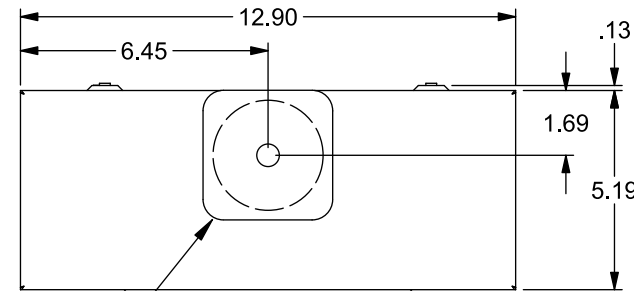


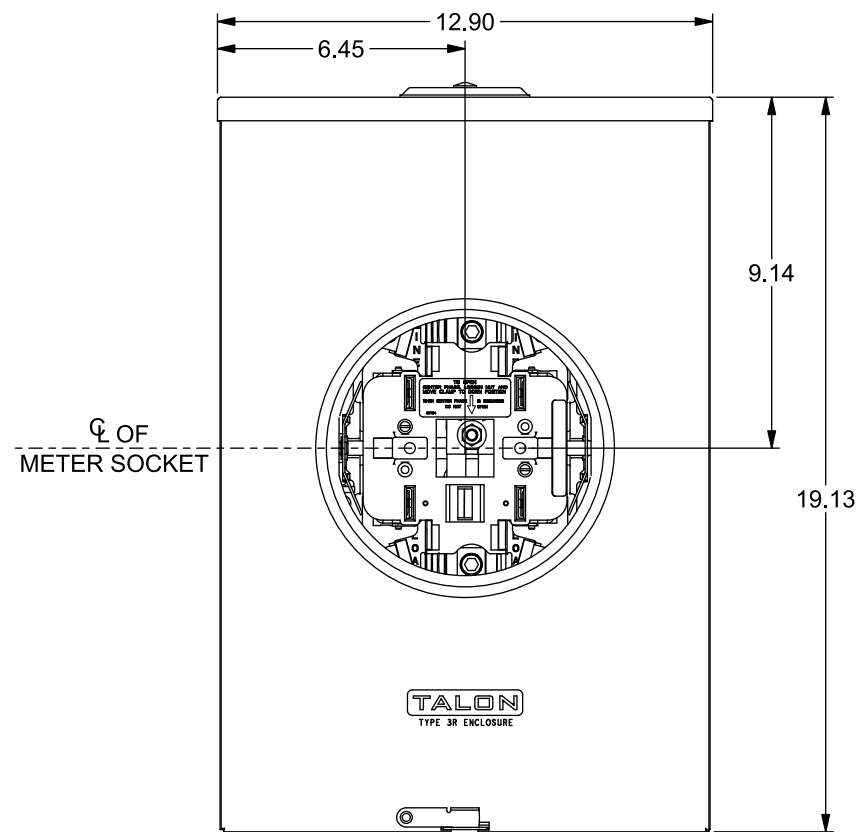
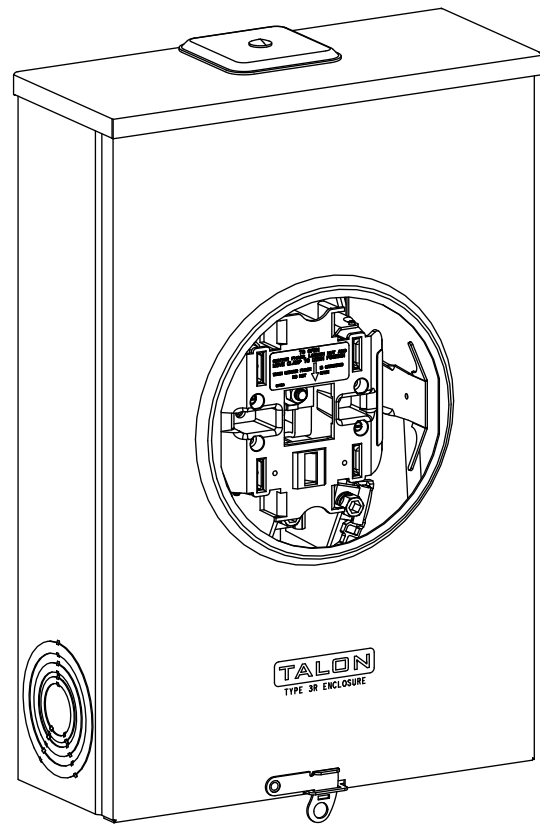
**Catalog Number: 9804-8592**

**Features and Ratings**

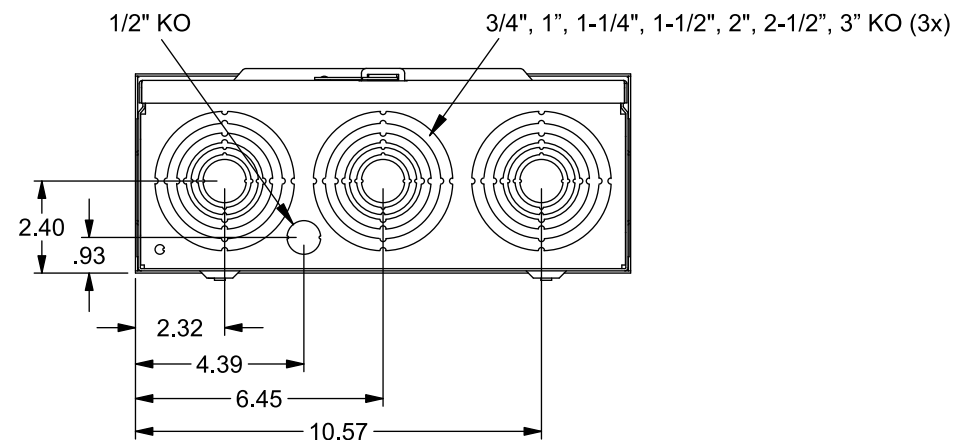
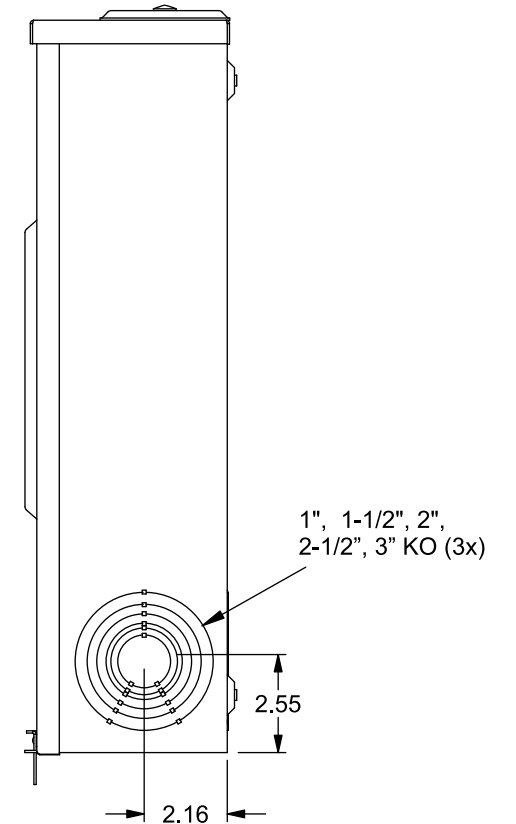
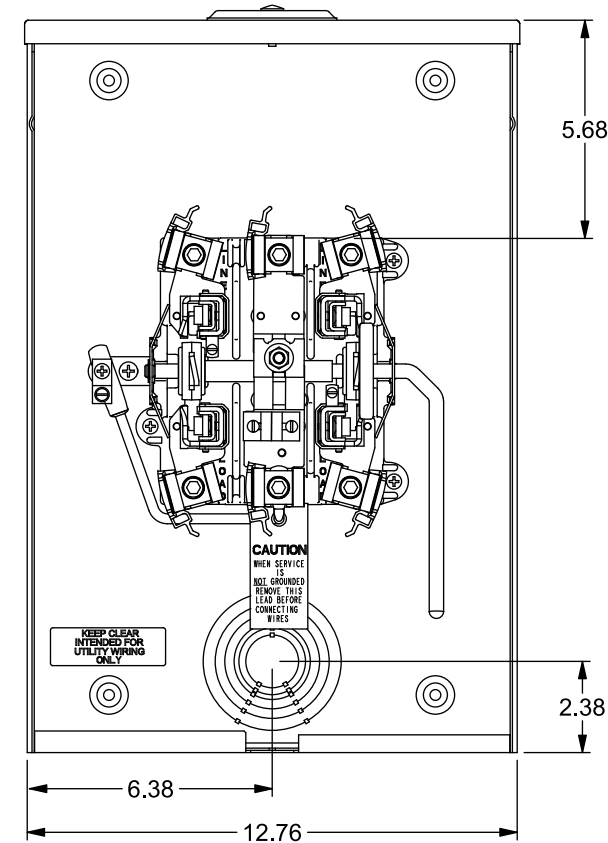
- Ringless Type Meter Socket
- 200A Continuous, 600V AC
- Outdoor Enclosure (NEMA Type 3R)
- Painted Steel Enclosure
- 1 or 3 Phase, 3 Wire
- 5 Jaw Meter Socket, 5th Jaw @ 6 o'clock Position
- Meter Socket Type HQ-5NDU, Lever Bypass
- For Overhead & Underground Service
- RX Type Hub Opening with Cover Plate Installed
- One Ground Lug Installed



TYPE RX (SMALL) HUB OPENING,  
COVER PLATE INSTALLED



VIEW SHOWN WITH COVER  
AND SHIELD REMOVED



**Accessories**

CONDUIT HUBS (RX Type)	
TRADE SIZE	CATALOG No.
1-1/4 INCH	EC38597 or H38597-2
1-1/2 INCH	EC38598 or H38598-2
2 INCH	EC38599 or H38599-2
2-1/2 INCH	EC38600 or H38600-2
Hub Cover Plate	EC38595 or H38595-1

Meter Opening Cover Plate  
Cat No: H659-0162

**Connectors, Wire Sizes and Torques**

CONNECTOR	WIRE SIZE	TORQUE
LINE, LOAD, NEUTRAL*	#6 - 350 kcmil	275 IN.-LBS.
GROUND	#14 - 2 AWG	45 IN.-LBS.

\* External Hex Drive 1/2"  
\* Internal Hex Drive 5/16"

© 2018 Copyright Siemens Industry, Inc.

**TALON**  
**Meter Socket**

Description:  
**200A Cont, 5 Jaw, HQ-5NDU, 600V AC,  
Lever Bypass, Painted Steel Enclosure**

KAM 6/25/18 | DO NOT SCALE DRAWING | Dwg No: **9804-8592**