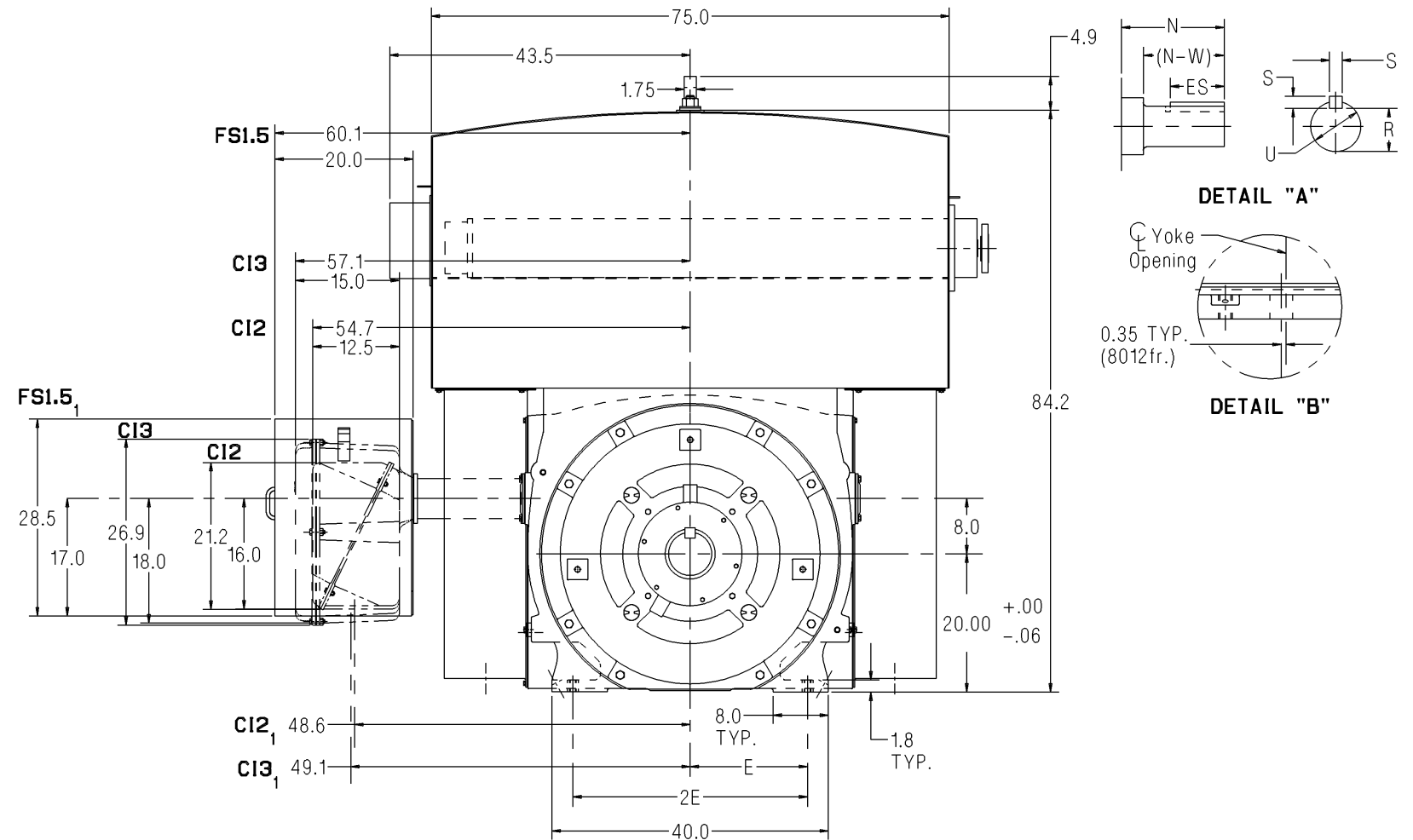
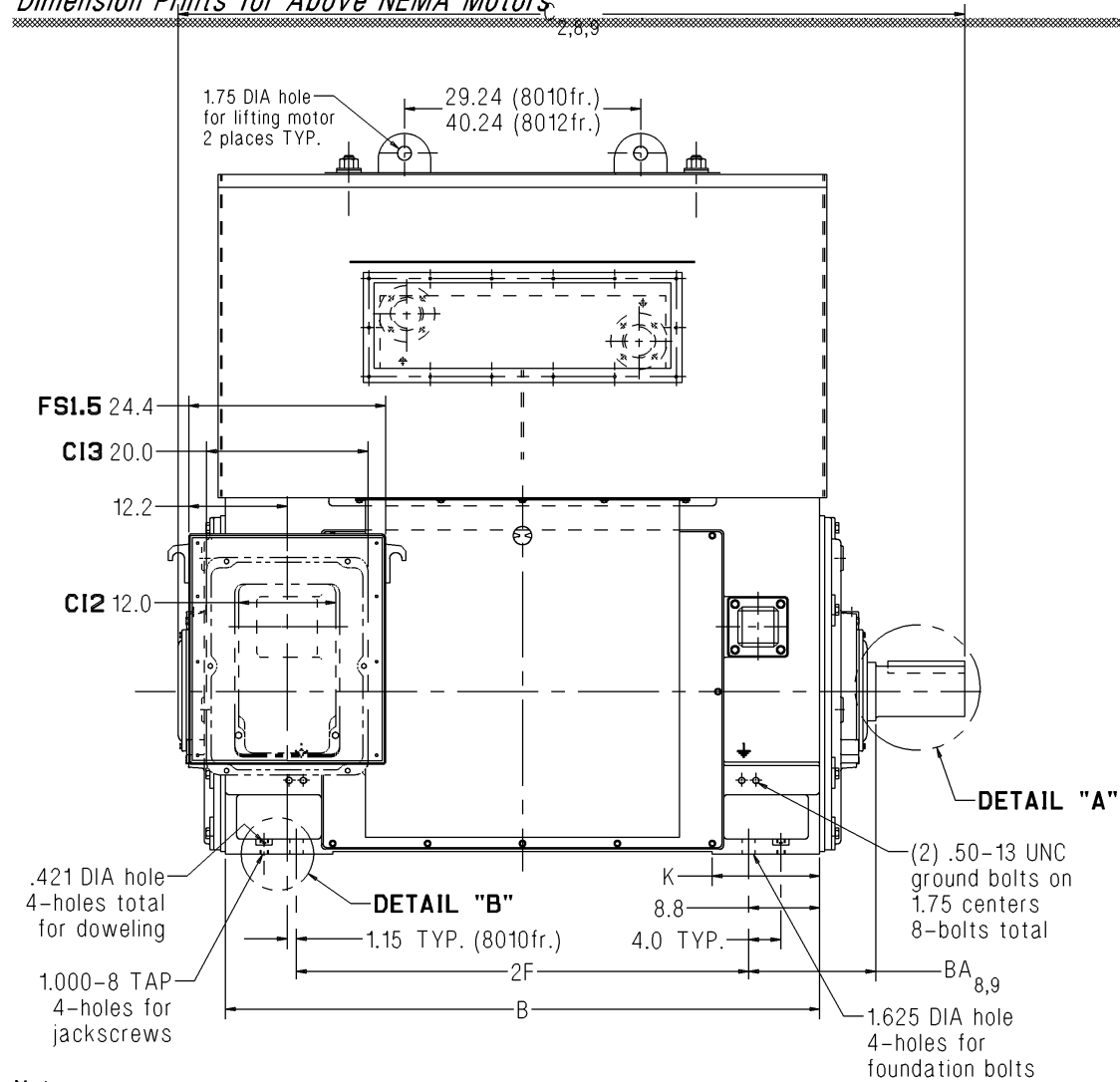


SIEMENS

Type CGG – Horizontal – Totally Enclosed Water to Air Cooled
Anti-Friction Bearing – Direct Connected
Frames 8010 / 8012 – 4 Pole & Slower – Rotatable Main Conduit Box

Dimension Prints for Above NEMA Motors



Notes:

- Main conduit box may be rotated in steps of 90°.
A removable bottom plate is supplied on the FS1.5 conduit box.
A 5.0 N.P.T. is supplied on the C12 and C13 conduit boxes.
A 16.0" spacer is supplied on both frames for all rotatable conduit boxes.
- C = Length of motor from drive end of shaft to end of non-drive end of motor.
- V = (N-W)-0.25" = length of shaft available for coupling.
- Machines may rotate in either direction.
- Shims may be necessary under motor feet for direct connection.
- Short shaft is for direct connection.
- Adding a rotating labyrinth seal to the drive end does not change any dimensions.
- Adding a ground brush increases BA and C by:
4 Pole: 2.50" 6 Pole & Slower: 2.50"
- Adding a ground brush with rotating labyrinth seal increases BA and C by:
4 Pole: 2.50" 6 Pole & Slower: 2.50"

Standard Dimensions in Inches

Shaft	Frame	Speed	B	BA _{8,9}	C _{2,8,9}	E	2F	K	N	(N-W)	R	S	U	V ₃	ES	Approx. Ship Wt. (Lbs)
Short	8010	4 Pole	73.6	15.75	97.4	17.0	56.0	13.3	12.10	11.0	5.408	1.50	6.250	10.75	9.5	21900
Short	8010	6 Pole & Slower	73.6	15.75	97.4	17.0	56.0	13.3	12.10	11.0	5.408	1.50	6.250	10.75	9.5	21300
Short	8012	6 Pole & Slower	88.6	15.75	112.4	17.0	71.0	14.8	12.10	11.0	5.408	1.50	6.25	10.75	9.5	26500

Certification: Customer _____ P.O. _____ S.O. _____ Item _____
 HP _____ RPM _____ Frame _____ PH/HZ/Volts 3/_____/_____
 By _____ Date _____ Terminal Box Size C12 C13 FS1.5
 Comments _____
 Not for construction, installation or application purposes unless certified.

CGG_800_4plusPL_AF_ROT
Revision 01
01/26/09