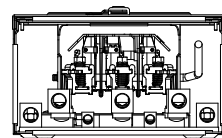
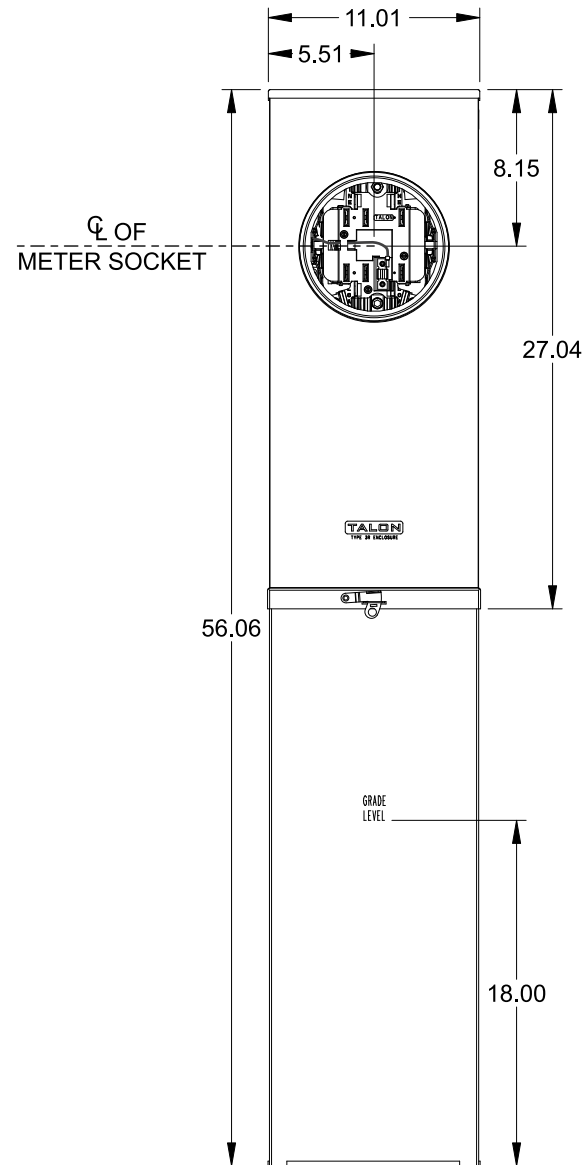
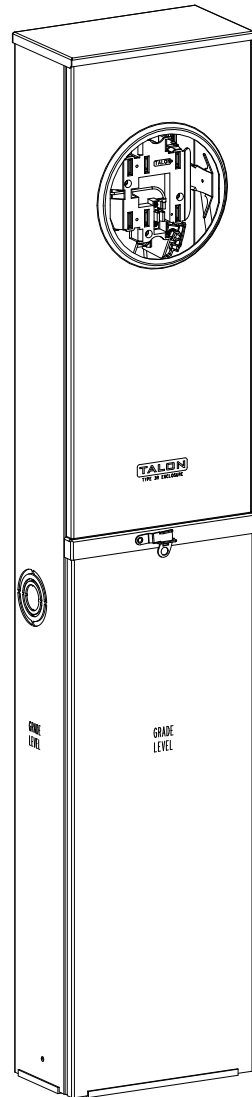
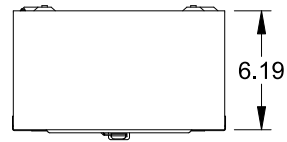


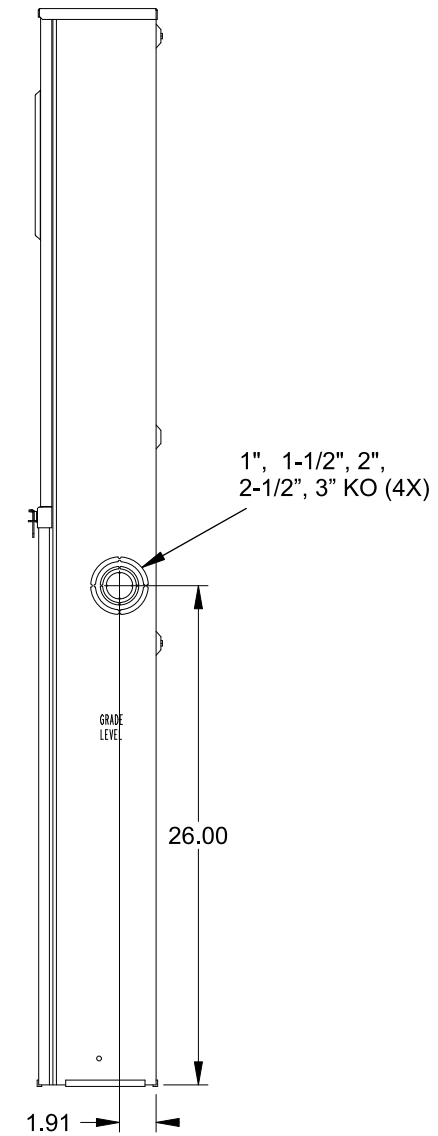
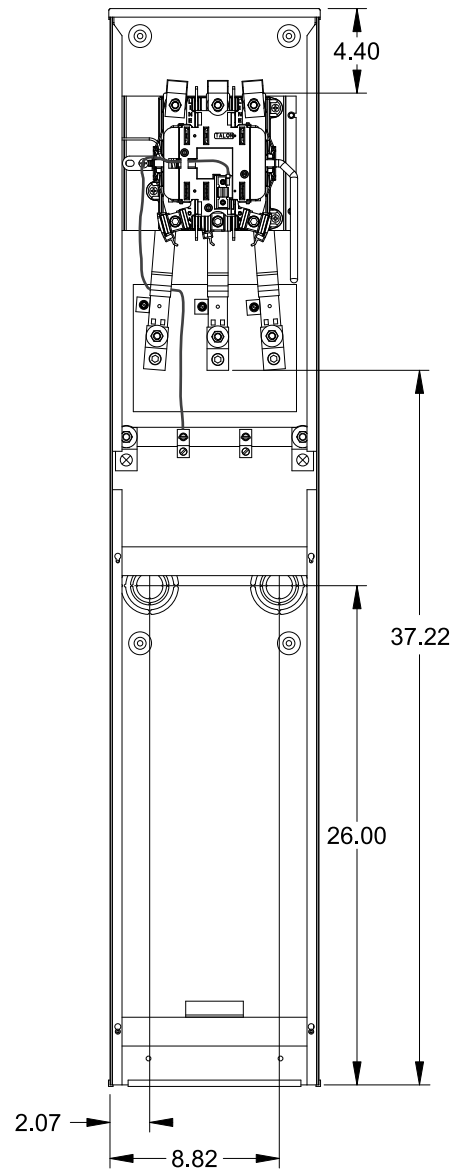
Catalog Number: 40407P-9WI

Features and Ratings

- Ringless Type Meter Socket
- 200A Continuous, 250A Max., 600V AC
- Outdoor Enclosure (NEMA Type 3R)
- Painted G90 Steel Enclosure
- 3 Phase, 4 Wire Pedestal
- 7 Jaw, Commerical Type Meter Socket
- Meter Socket Type HQ-7-2P
- For Underground Service Only
- Lever Bypass



VIEW SHOWN WITH COVER REMOVED



Accessories

Meter Opening Cover Plate
Cat No: H659-0162

Connectors, Wire Sizes and Torques

CONNECTOR	PART No.	WIRE SIZE	TORQUE
LINE	55890-1	#6 - 350 kcmil	275 IN.-LBS.
NEUTRAL	57606-K	#6 - 350 kcmil	275 IN.-LBS.
GROUND	67554A	#14 - 2/0 AWG	50 IN.-LBS.

* Internal Hex Drive 5/16"

© 2016 Copyright Siemens Industry, Inc.

TALON

Meter Socket

Description: **200A Cont, 7 Jaw, HQ-7-2P, 600V AC, Painted Steel Enclosure, Pedestal**

KAM 9/30/16 DO NOT SCALE DRAWING Dwg No: **40407P-9WI**