

IF IN DOUBT ASK  
DO NOT SCALE

NOT SUBJECT TO UPDATE  
ONCE COPIED / PRINTED  
OR DOWNLOADED

A

B

C

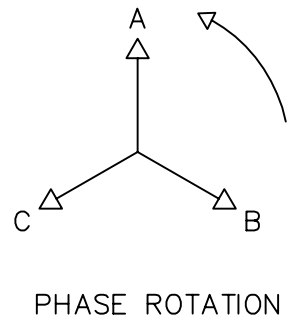
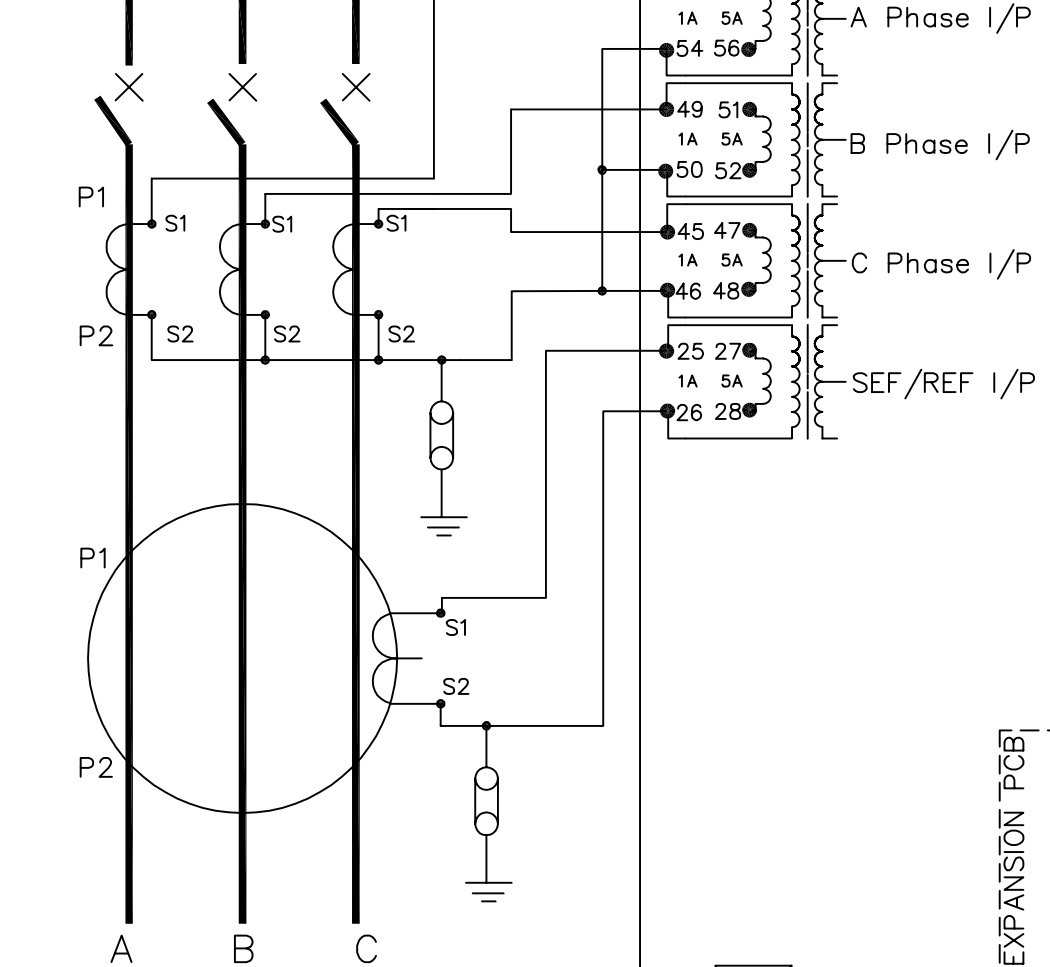
D

E

F

DCD42xB (ARGUS 1) MODULAR SIZE 6 CASE

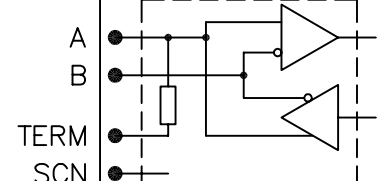
BUSBARS



D.C. Auxilliary Input Volts  
+ 13  
- 14

Earth  
15

STATUS I/P 1  
+ 3  
- 4



RS485 Connectors

EXPANSION PCB

RELAY 1

RELAY 2

RELAY 3

RELAY 4

RELAY 5

RELAY 6

RELAY 7

RELAY 8

RELAY 9

RELAY 10

RELAY 11

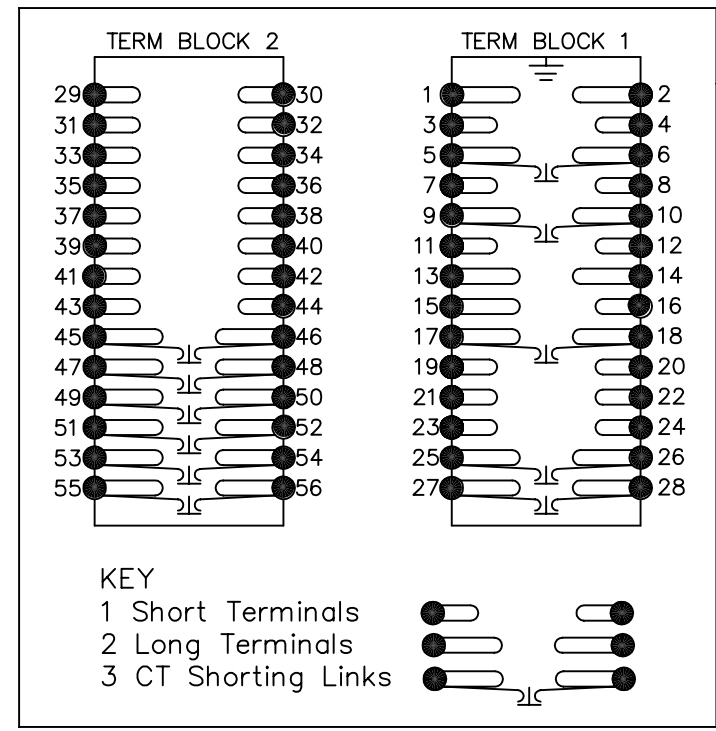
+ STATUS I/P 5

+ STATUS I/P 4

+ STATUS I/P 3

+ STATUS I/P 2

TERMINAL BLOCKS VIEWED FROM REAR



NOTES

1. CT CIRCUITS ARE SHOWN CONNECTED TO RELAY 1 AMP TAP. USE ALTERNATIVE TAP FOR 5AMP RATED CTs.
2. CT & EARTH CONNECTIONS ARE TYPICAL ONLY.
3. METROSIL & SETTING RESISTORS ARE REQUIRED FOR HIGH IMPEDANCE & RESTRICTED EARTH FAULT APPLICATIONS.
4. FOR TERMINAL DIAGRAM SEE 2434W50008 (A2).
5. DRG SHOWS OPTION A (7 OUTPUTS, 1 INPUT). DRG SHOWS OPTION B (11 OUTPUTS, 5 INPUTS).

MATERIAL:

Dimensions in millimetres : Surface texture in micrometres.  
Machine where marked ✓  
For explanation of dimensions, tolerances, notes etc. see B.S.308.  
Limit on untoleranced unmachined dimensions ± \_\_\_\_\_  
Limits on untoleranced machined dimensions to B.S.4500;  
i.e. up to 6±0.1; over 30 to 120±0.3; over 315±0.8;  
over 6 to 30±0.2; over 120 to 315±0.5;  
General unmachined angular tolerance ± \_\_\_\_\_

Finish:

Treatment:

Title:  
TYPICAL SCHEMATIC DIAGRAM 3 PH + SEF/REF RS485  
ARGUS 1 NUMERIC OVERCURRENT PROTECTION EPSILON

**VATECH REYROLLE**  
**AUTOMATION, CONTROL & PROTECTION**

Original Scale.  
NTS

First used on:  
Similar Articles: 2434W10059  
Supersedes:  
Drg. No.  
**2434W10105**

Copyright © 2004 VATECH REYROLLE ACP Ltd. Hebburn

1	12/08/04	CHANGE NOTED	△
ISSUE	DATE	NOTED	