



**SIEMENS**

*Ingenuity for life*

# Door interlock for distributed control panels

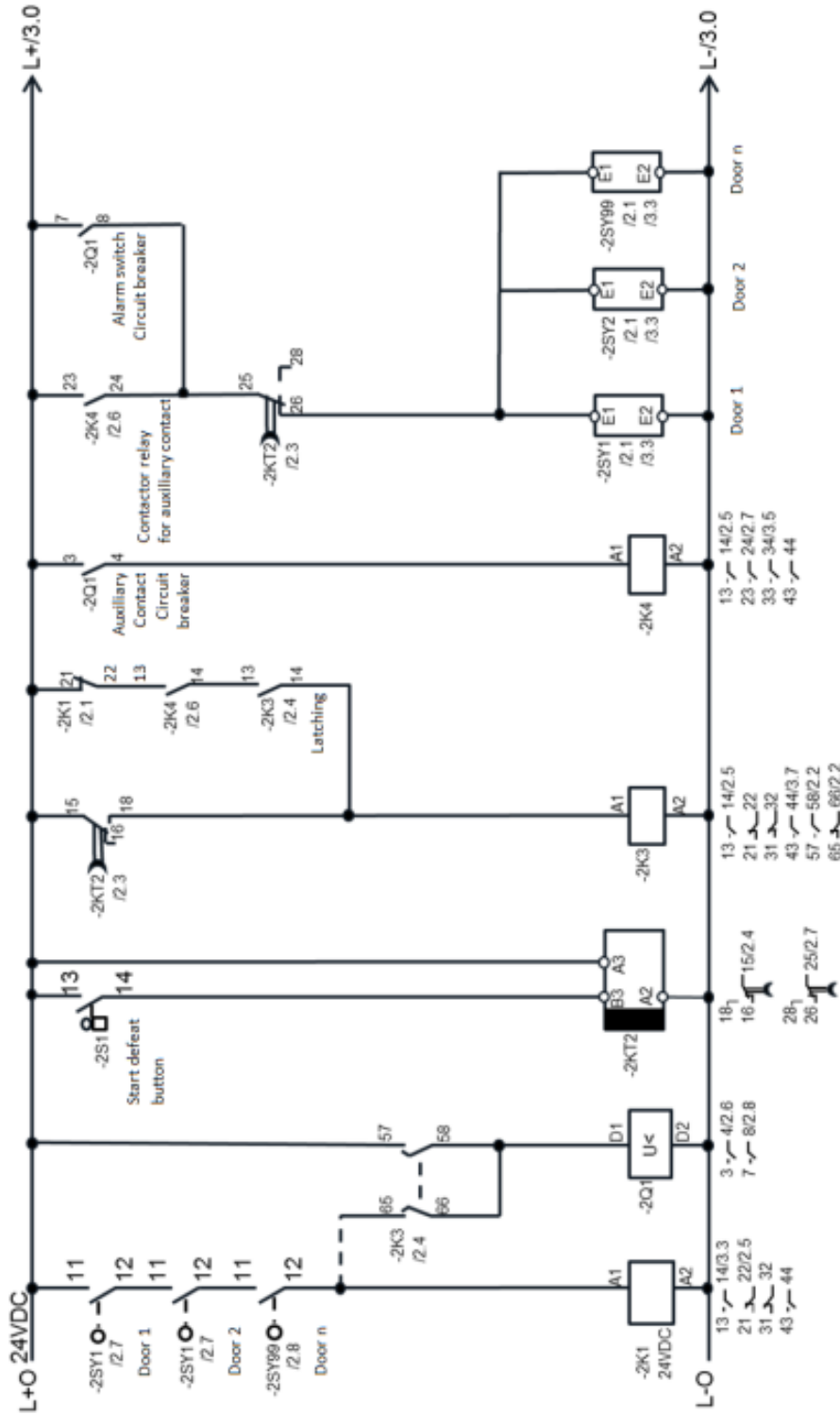
Circuit diagram with BOM

## Application example | November 2017

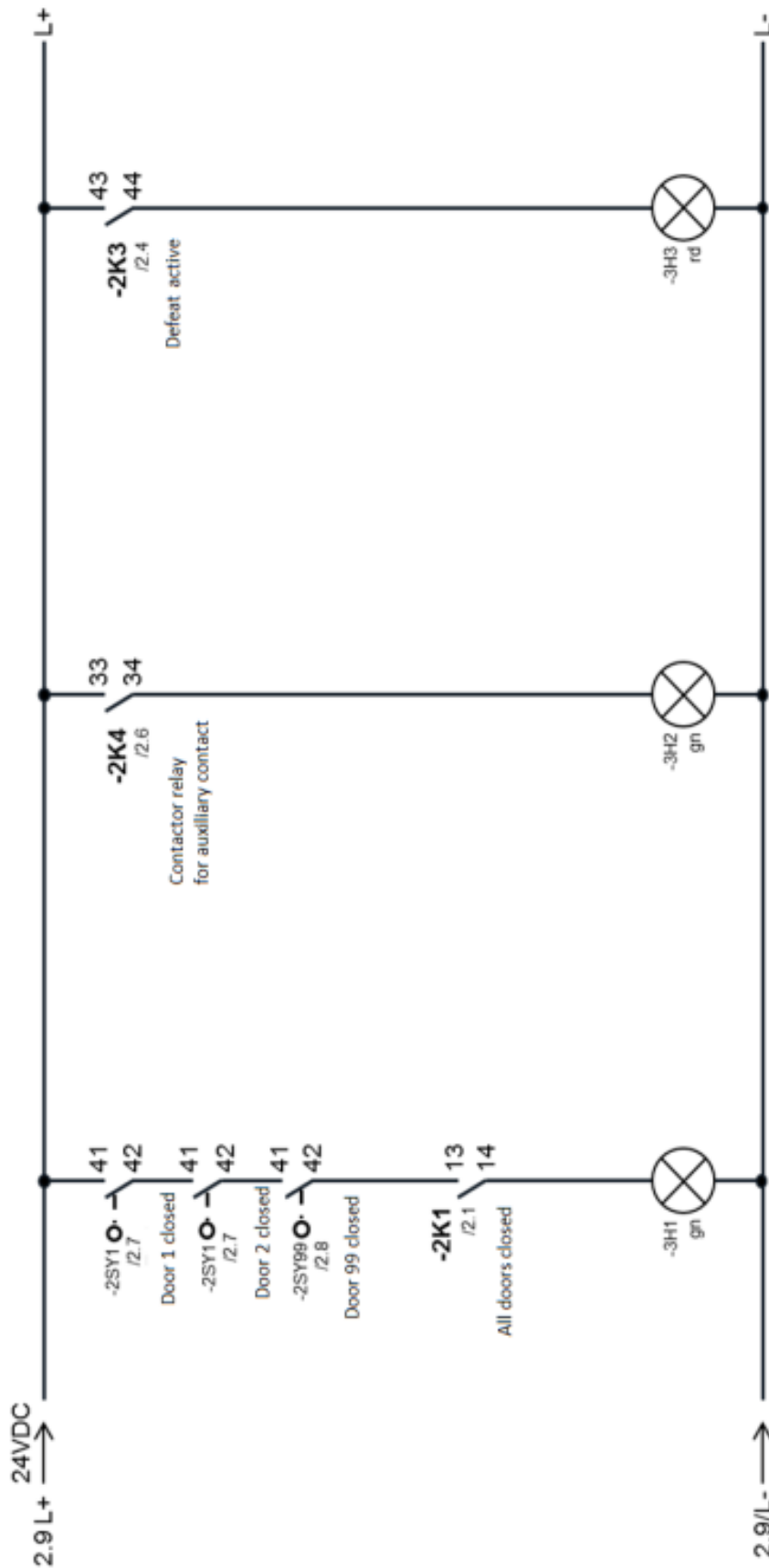
### Electrical door interlock according to UL 508A and NFPA 79

In this application example, we show you how to comply with the requirements of the US standards for door interlocks for distributed control panels with any number of doors, while at the same time saving effort and costs.

# Circuit diagram of the door interlock



# Circuit diagram of indicator lights



# Bill of materials

Identifier	Quantity	Designation	Technical specification	Type number
-3H1	1	Light element	LED; 24V AC/DC; BA9s; green	3SU1152-6AA40-1AA0
-3H1	1	Label holder	Black	3SU1900-0AN10-0AA0
-3H2	1	Light element	LED; 24V AC/DC; BA9s; green	3SU1152-6AA40-1AA0
-3H2	1	Label holder	Black	3SU1900-0AN10-0AA0
-3H3	1	Light element	LED; 24V AC/DC; BA9s; red	3SU1152-6AA20-1AA0
-3H3	1	Label holder	Black	3SU1900-0AN10-0AA0
-2K1	1	Contact relay (feedback contactor)	2NO+2NC; 24V DC	3RH2122-1BB40
-2K3	1	Contact relay (interlocking contactor)	2NO+2NC; 24V DC	3RH2122-1BB40
-2K3	1	Auxiliary switch block		3RH2911-1FB11
-2K4	1	Contact relay (reversing contactor)	4NO; 24V/DC	3RH2140-1BB40
-2KT2	1	Timing relay	Multifunction; 2CO; 24V DC	3RP2505-1BB30
-2S1	1	Key-operated button 2 positions	0-1; momentary contact type	3SU1050-4BC01-0AA0
-2S1	1	Contact block	1NO; front	3SU1400-1AA10-1BA0
-2S1	1	Label holder	Black	3SU1900-0AN10-0AA0
-SY1	1	Position switch	24V DC; with tumbler	3SE5322-0SB21
-SY2	1	Position switch	24V DC; with tumbler	3SE5322-0SB21
-SY99	1	Position switch	24V DC; with tumbler	3SE5322-0SB21
-2Q1	1	1 circuit breaker 1 undervoltage release 1 auxiliary alarm switch 2 auxiliary toggle switch		3VA5215-6EC31-0AA0 3VA9978-0BB11 3VA9978-0AB12 3VA9978-0AA22 (2St.)
-2Q1	1	Door mounted rotary operator, complete		3VA9277-0FK31
-2Q1	1	NFPA intermediate rotary operator		3VA9477-0GC01

# Additional information from Siemens

## Siemens keeps you up-to-date!

At

<https://www.siemens.com/global/en/home/markets/panel-building/control-cabinet/north-america.html> we will promptly inform you about news on the topic of "Control panels for the North American market".

Whether you are looking for reference manuals, web-based training courses, helpful engineering tools or useful information on panel building, On our market portal <https://www.siemens.com/global/en/home/markets/panel-building.html> you can find extensive information on the topics of "Expert know-how, tools and data for digitization in engineering and a coordinated product and system portfolio".

Integrated Control Panels – The easy way to build the optimum control panel.

**Siemens AG**

Digital Factory Control Products

DF CP S&MK ICP

Postfach 23 55

90713 Fürth, Germany