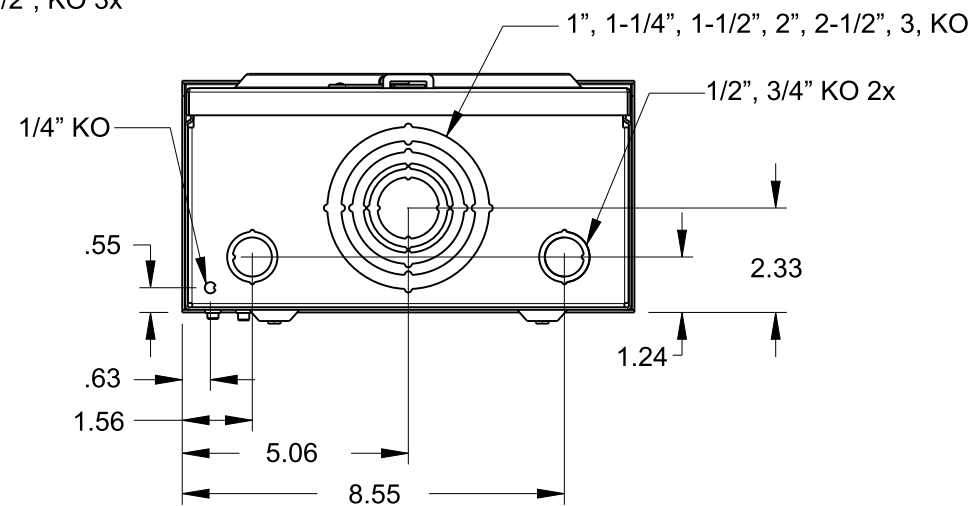
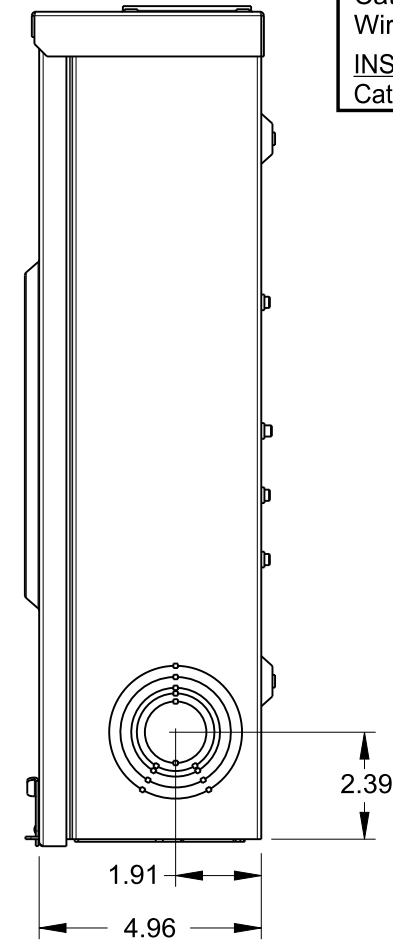
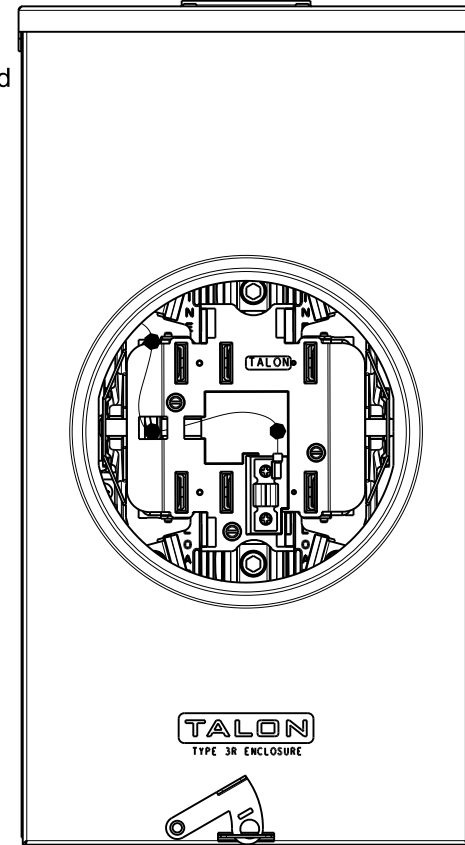
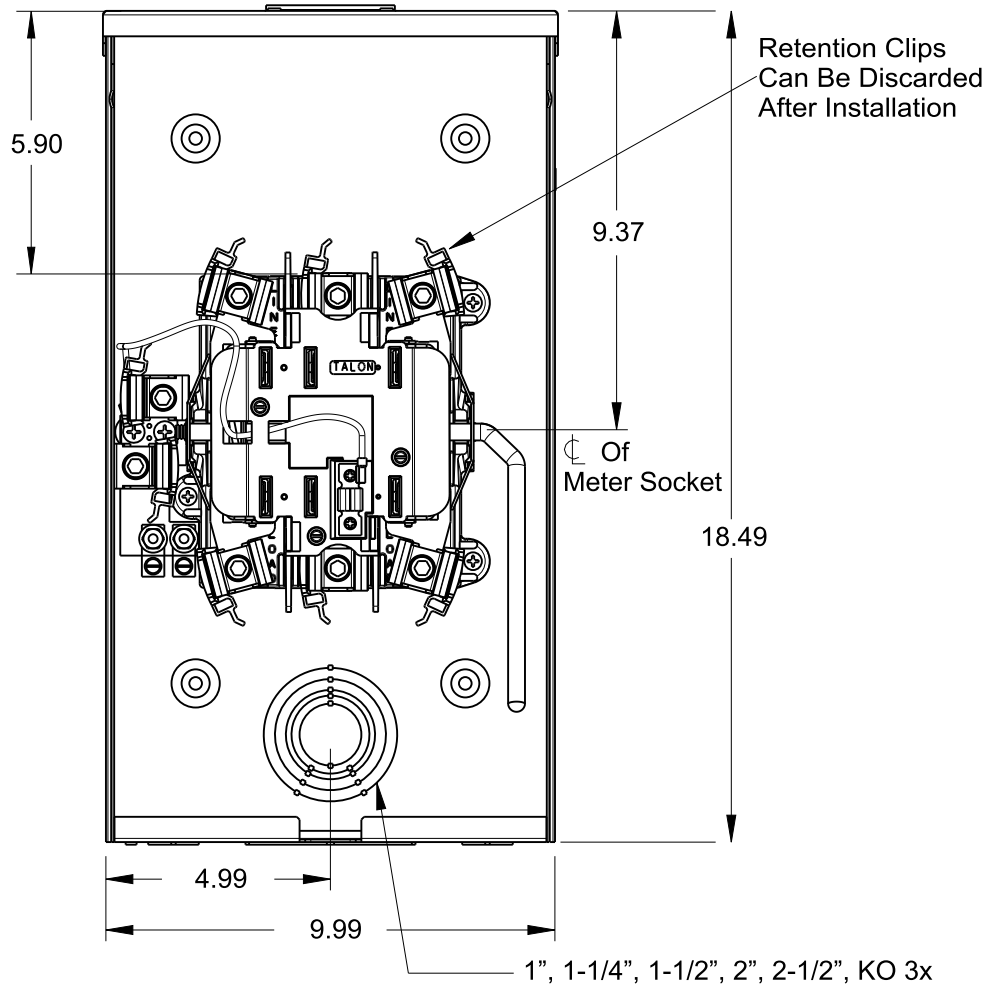
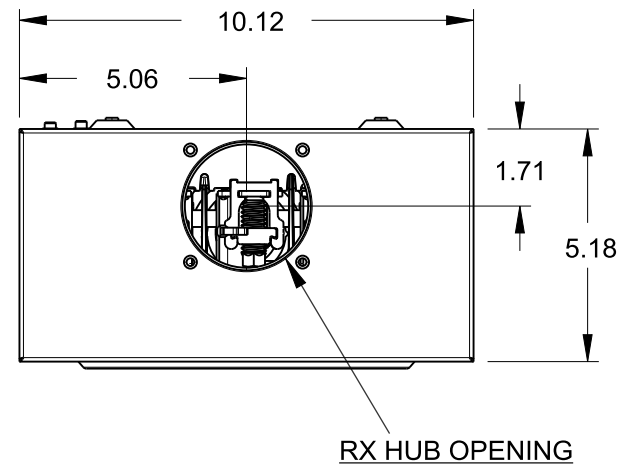


Catalog Number: 42407-01MR

Features and Ratings

- Ringless Type Meter Socket
- 200A Continuous, 250A Max.
- Outdoor Enclosure (NEMA Type 3R)
- Painted G90 STEEL
- 3 Phase, 4 Wire, 600V AC
- 7 Jaw
- HQ Clamp Jaw Lever Bypass Meter Socket
- For Overhead Service Only
- RX Hub Opening
- Two Ground Lugs



Accessories

Meter Opening Cover Plate
Cat No: H39968

RX HUB KITS
Cat No: H38597-2 (1.25")
Cat No: H38598-2 (1.50")
Cat No: H38599-2 (2.00")
Cat No: H38600-2 (2.50")

RX HUB KITS
Cat No: EC38597 (1.25")
Cat No: EC38598 (1.50")
Cat No: EC38599 (2.00")
Cat No: EC38600 (2.50")

HUB COVER PLATE
Cat No: H38595-1

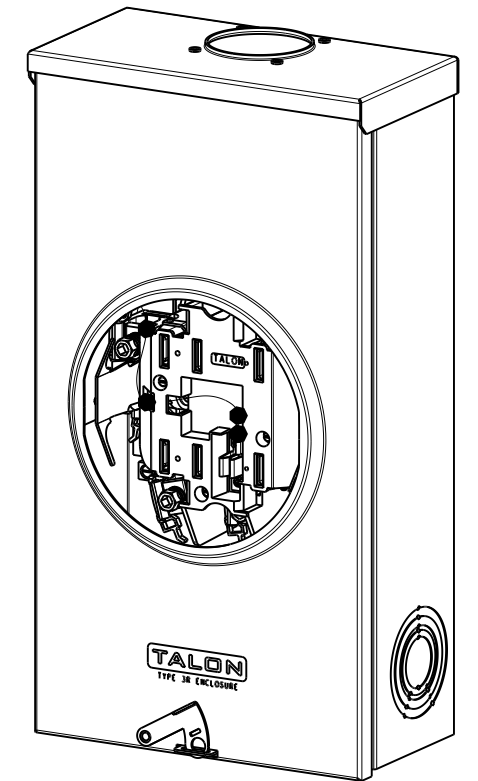
GROUND LUG KIT
Cat No: H80500017
Wire Size #2-14 45 LB-IN

INSULATED NEUTRAL KIT
Cat. No: H64685-1, H64690-1

Lugs, Wire Sizes and Torques

LOCATION	LUG SIZE	TORQUE
LINE*	#6-350 kcmil	275 LB-IN
LOAD*	#6-350 kcmil	275 LB-IN
NEUTRAL*	#6-350 kcmil	275 LB-IN
GROUND	#14-2	45 LB-IN

* External Hex drive 1/2"
* Internal Hex drive 5/16"



TALON
Meter Socket

Description:
**200A Cont, 7 Jaw, HQ7, 600V AC,
Painted G90 Steel**