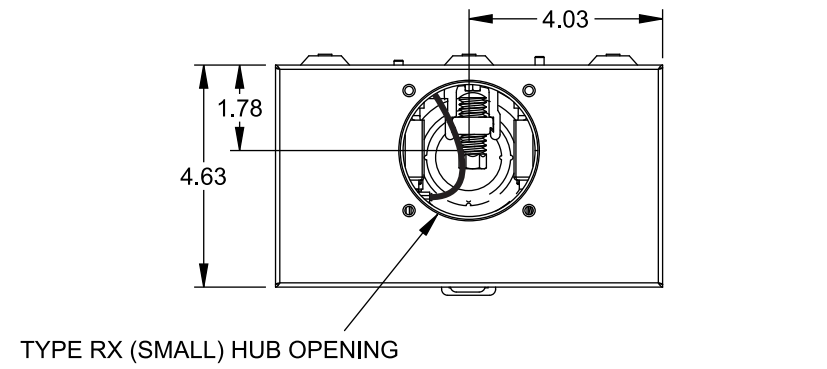
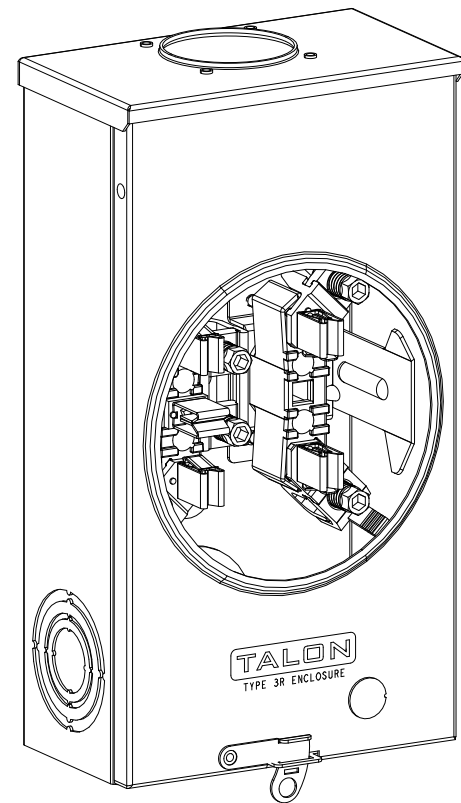


Catalog Number: UAT317-0FP

Features and Ratings

- Ringless Type Meter Socket
- 200A Continuous, 250A Max., 600V AC
- Outdoor Enclosure (NEMA Type 3R)
- Painted G90 Steel
- 1 Phase, 3 Wire
- 5 Jaw Meter Socket
- Meter Socket Type UAT3
- For Overhead Service Only
- Small Hub Opening
- Horn Bypass
- 7/8" Barrel Lock Provision w/Bracket



Accessories

CONDUIT HUBS (RX Type)	
TRADE SIZE	CATALOG No.
1-1/4 INCH	EC38597 or H38597-2
1-1/2 INCH	EC38598 or H38598-2
2 INCH	EC38599 or H38599-2
2-1/2 INCH	EC38600 or H38600-2
Hub Cover Plate	EC38595 or H38595-1

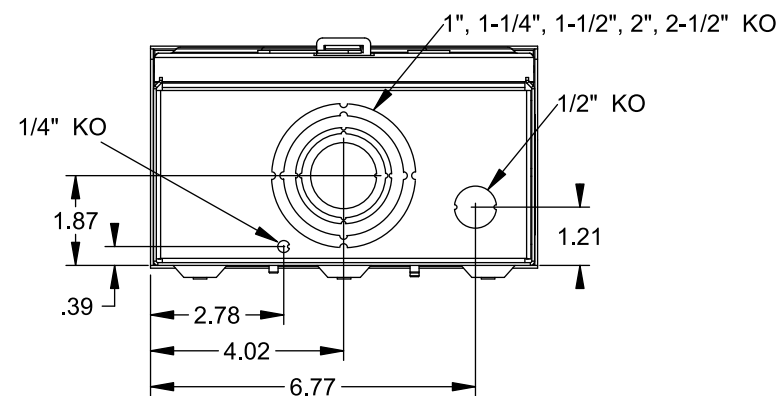
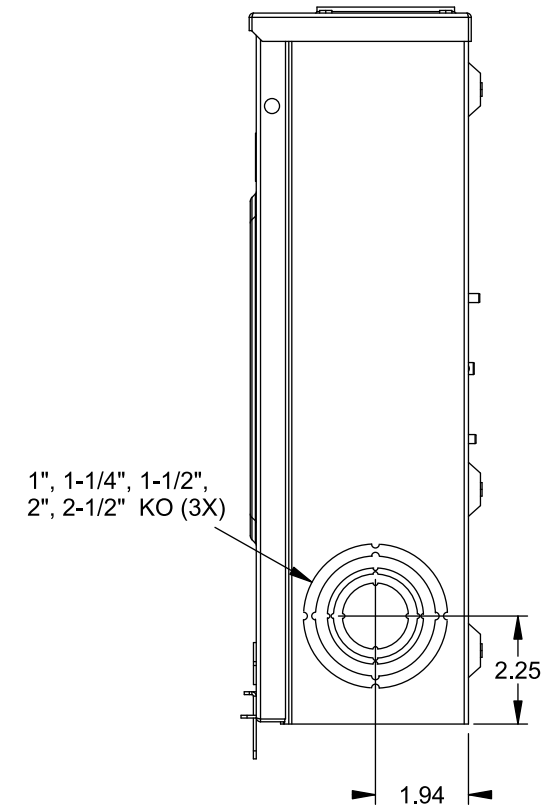
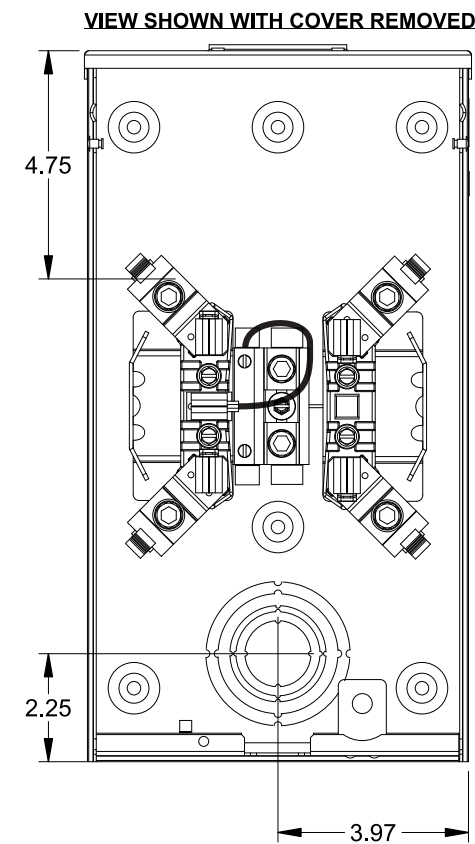
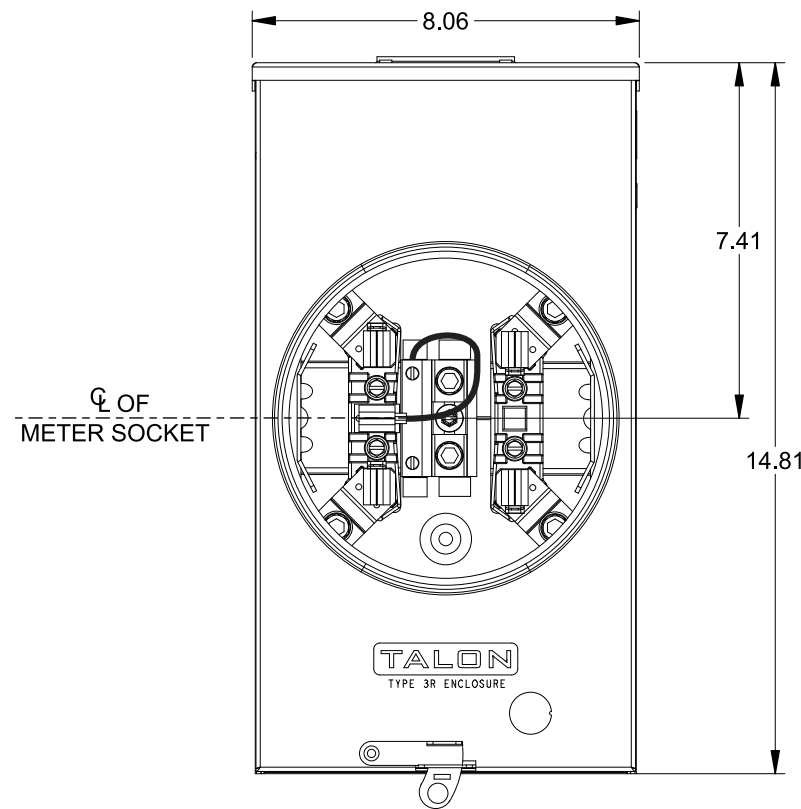
Meter Opening Cover Plate
Cat No: H659-0162

5th Jaw Kit
Cat. No: EC659-0121

Connectors, Wire Sizes and Torques

CONNECTOR	WIRE SIZE	TORQUE
LINE, LOAD, NEUTRAL*	#6 - 350 kcmil	250 IN.-LBS.
GROUND	#2 - 14 AWG	50 IN.-LBS.

* External Hex Drive 1/2"
* Internal Hex Drive 5/16"



© 2015 Copyright Siemens Industry, Inc.

TALON	
Meter Socket	
Description: 200A Cont, 5 Jaw, UAT3, 600V AC, Painted Steel Enclosure	
JEL 6/30/15	DO NOT SCALE DRAWING Dwg No: UAT317-0FP