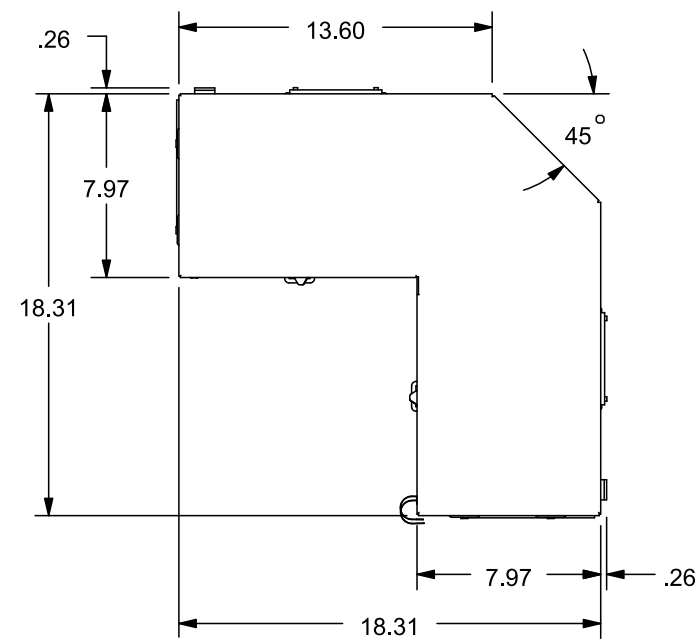


Features and Ratings

- NEMA Type 3R Outdoor Enclosure
- 1200 Amps Max.
- 100,000 AIC Rating Max.
- For mounting on internal corners
- (1) QuickConnect™ and mounting hardware included

Catalog Number	Rating
WELB118	1200A Max, 1 Phase, 3 Wire ; 120/240V AC Max.
WELB318	1200A Max, 3 Phase, 4 Wire ; 240V AC Max.

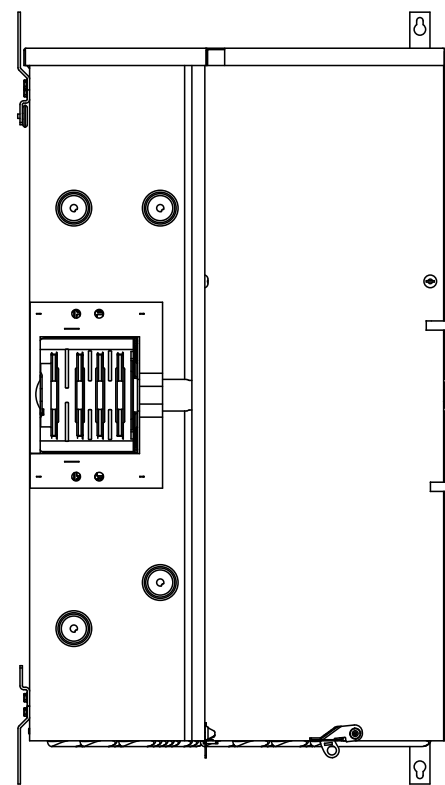
WELB318 (3 Phase) SHOWN



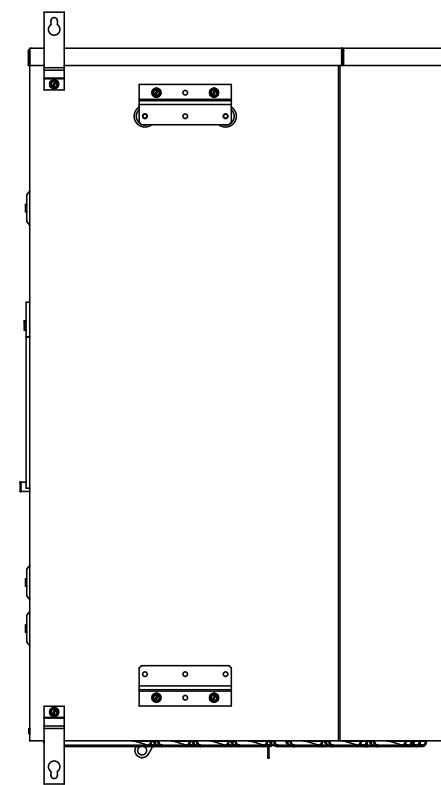
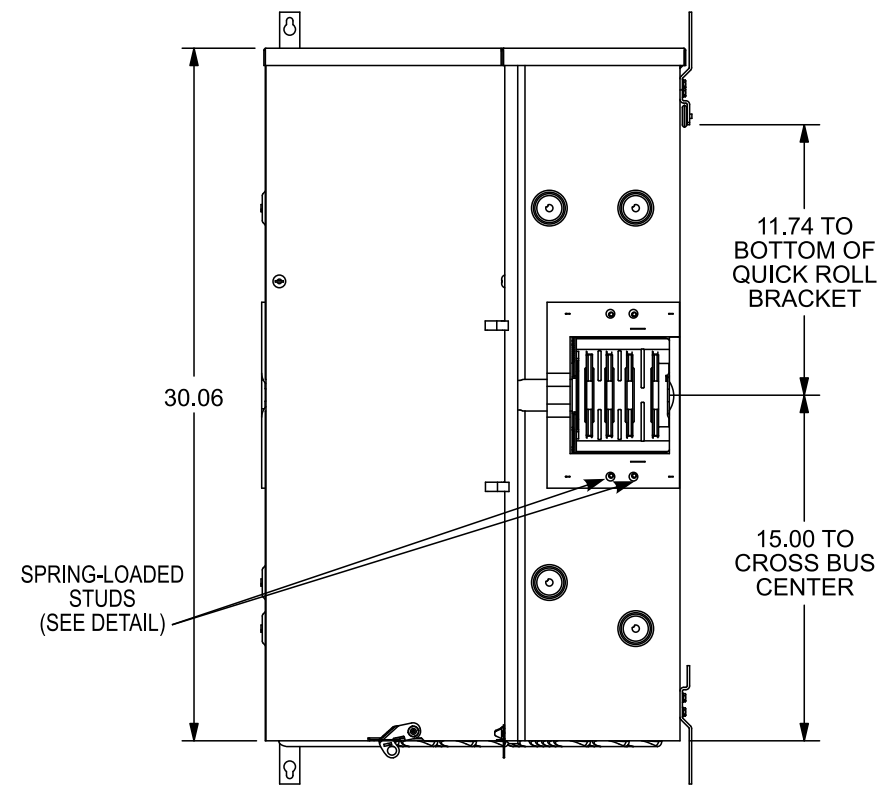
Additional Modules

FOR USE WITH:	
Module Description	Siemens Series#
Main Breakers	(W)MC, WB, WEB, WXB, WBT
Switches	WMP, WMS, WS, WES, WXS
Tap/Terminal Boxes	WMTB, WTB, WET, WT_PU
Pull Boxes	WMMB
Meter Module	(W)MM, WxMM, (W)MT, (W)ML, (W)MK, (W)MLZ(F)
Meter Combinations	WC, WCL, WCT
Extension Box	WMEX, WSP, WSPD
Bussed Elbow	BE, WELB

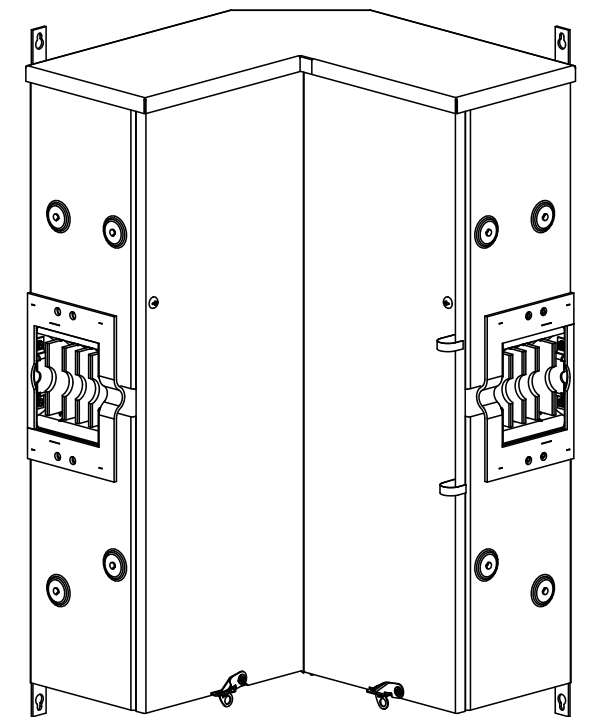
Connect Modules Using:	Catalog Number / Torque
QuickConnect, 1 Phase	QC1, Torque 400-440 lb-in (35-36 ft.-lb.)
QuickConnect, 3 Phase	QC4, Torque 400-440 lb-in (35-36 ft.-lb.)



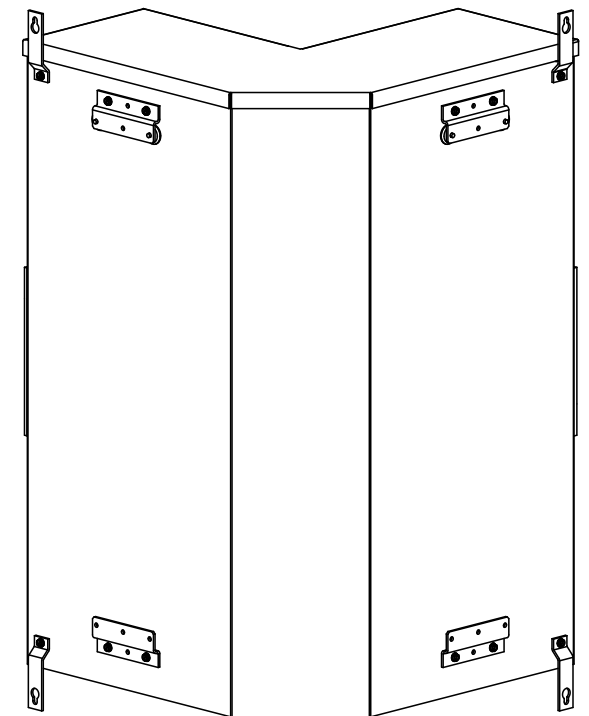
MOUNTING EARS ROTATE 360°



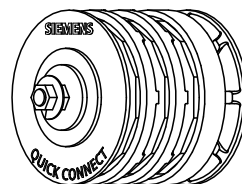
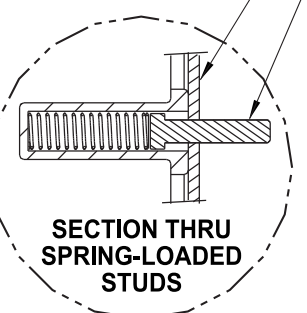
Front View



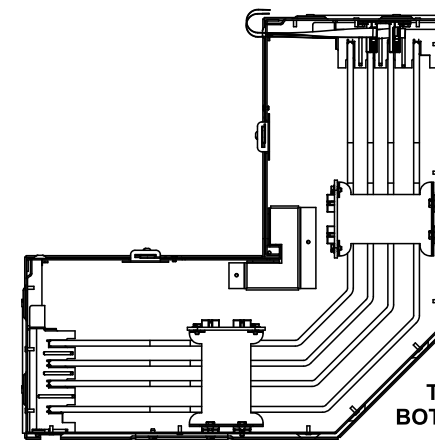
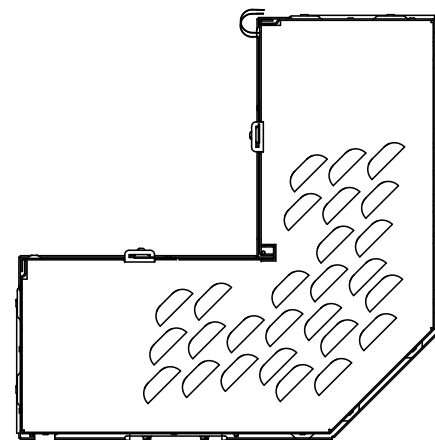
Back View



#10-32 x 7/8 SCREWS
ENCLOSURE WALL



QuickConnect™ Included



THIS VIEW SHOWN WITH
BOTTOM ENDWALL REMOVED

© 2016 Copyright Siemens Industry, Inc.

SIEMENS
Siemens Industry, Inc.

PowerMod™ Modules/Accessories

Description: **Bussed Elbow 1200A Max.
for Internal Corners, 18"**

KAM 9/6/16 DO NOT SCALE DRAWING Dwg No: **WELBx18**