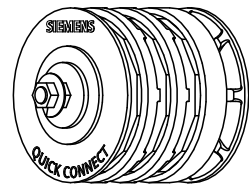


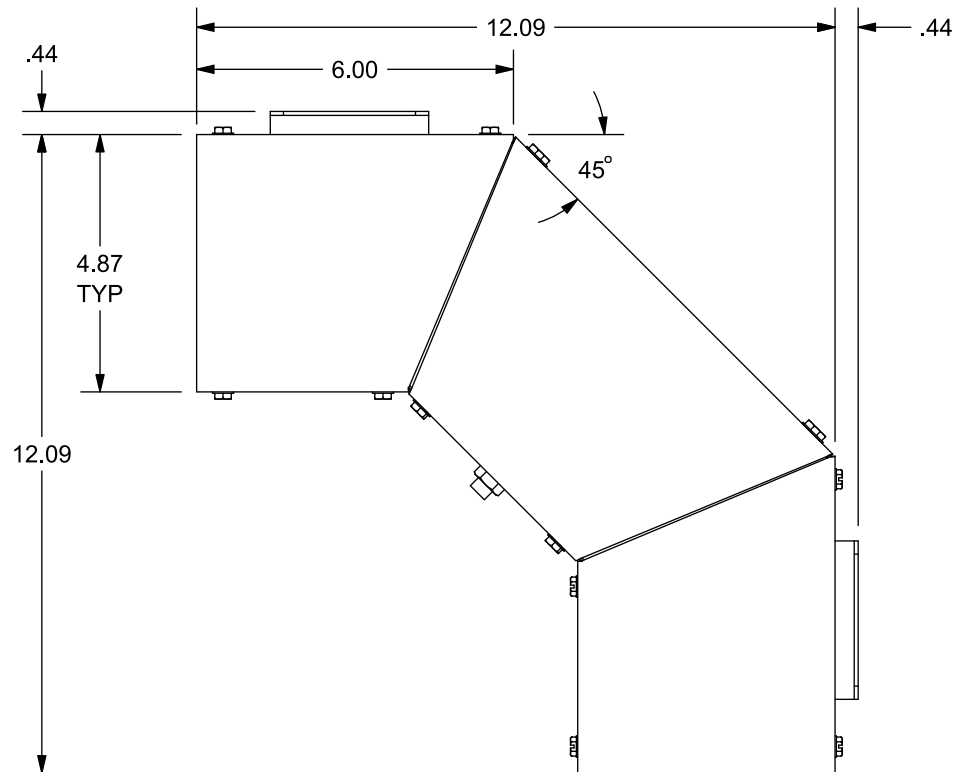
## Features and Ratings

- Type 1 Indoor Enclosure
- 1200 Amps Max.
- 100,000 AIC Rating Max.
- For mounting on internal corners
- (1) QuickConnect™ included

Catalog Number	Rating
BE112	1200A Max, 1 Phase, 3 Wire ; 120/240V AC Max.
BE412	1200A Max, 3 Phase, 4 Wire ; 240V AC Max.



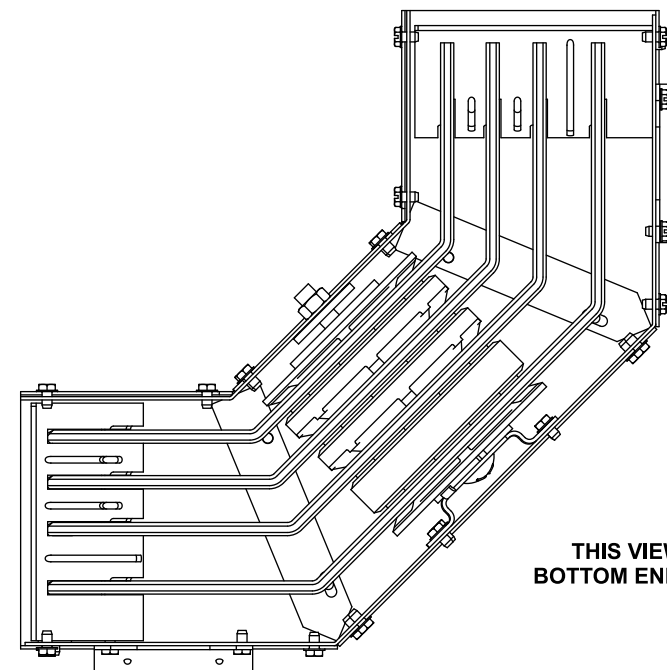
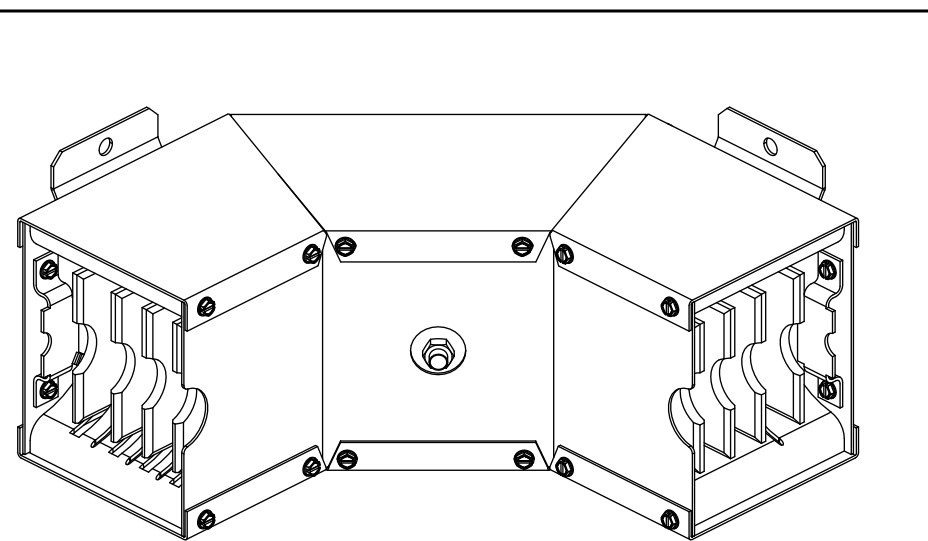
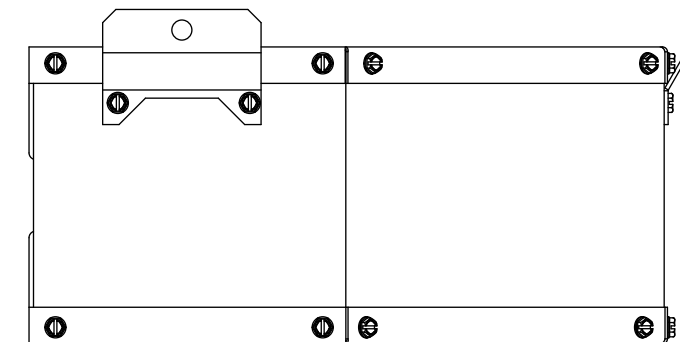
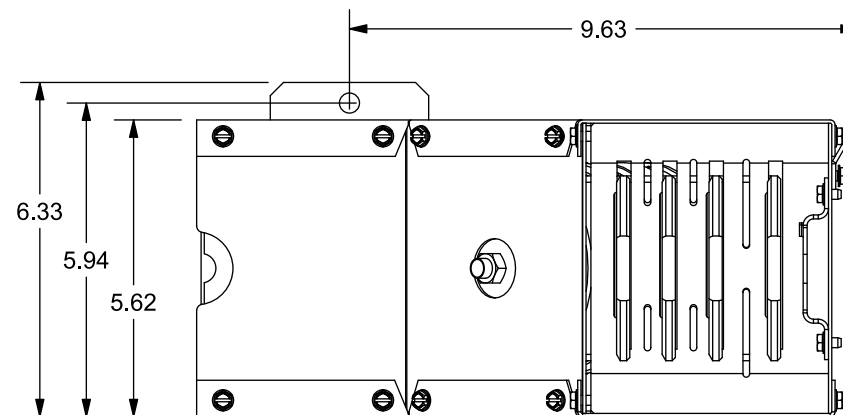
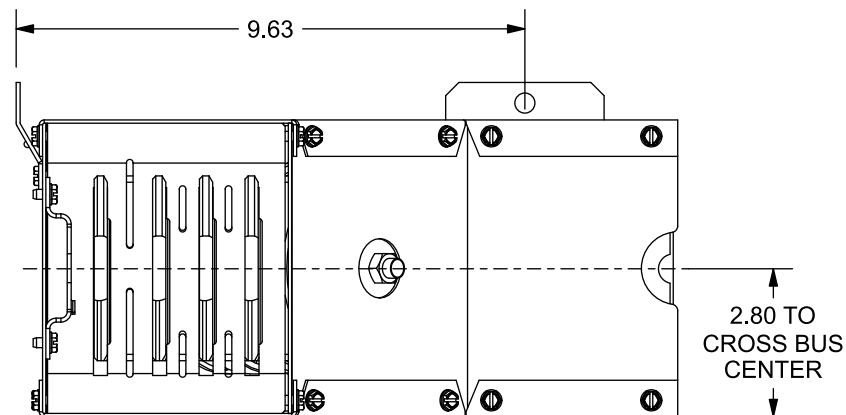
**QuickConnect™ Included**



## Additional Modules

FOR USE WITH:	
Module Description	Siemens Series#
Main Breakers	(W)MC, WB, WEB, WXB, WBT
Switches	WMP, WMS, WS, WES
Tap/Terminal Boxes	WMTB, WTB, WET, WT_PU
Pull Boxes	WMMB
Meter Module	(W)MM, WxMM, (W)MT, (W)ML, (W)MK, (W)MLZ(F)
Meter Combinations	WC, WCL, WCT
Extension Box	WMEX, WSP, WSPD
Bussed Elbow	BE, WELB

Connect Modules Using:	Catalog Number / Torque
QuickConnect, 1 Phase	QC1, Torque 400-440 lb-in (35-36 ft.-lb.)
QuickConnect, 3 Phase	QC4, Torque 400-440 lb-in (35-36 ft.-lb.)



THIS VIEW SHOWN WITH  
BOTTOM ENDWALLS REMOVED

**BE412 (3 Phase) SHOWN**

© 2016 Copyright Siemens Industry, Inc.

**SIEMENS**  
Siemens Industry, Inc.

**PowerMod™ Modules/Accessories**

Description: **Indoor Bussed Elbow,  
1200A Max., 12"**

KAM 6/14/16 DO NOT SCALE DRAWING Dwg No: **BE112-BE412**