

Installation Instructions

	⚠ Danger	⚠ Peligro	⚠ Danger
	Hazardous Voltage. Will cause death or serious injury.	Tensión peligrosa. Puede causar la muerte o lesiones graves.	Tension dangereuse. Danger de mort ou risque de blessures graves.
	Turn off and lock out all power supplying this device before working on this device. Replace all covers before power supplying this device is turned on.	Desenergice totalmente antes de instalar o darle servicio. Reemplace todas las barreras y cubiertas antes de energizar el interruptor.	Couper l'alimentation de l'appareil et barrer avant de travailler. Remplacez tous les couverts avant que l'approvisionnement de pouvoir soit alimenté.

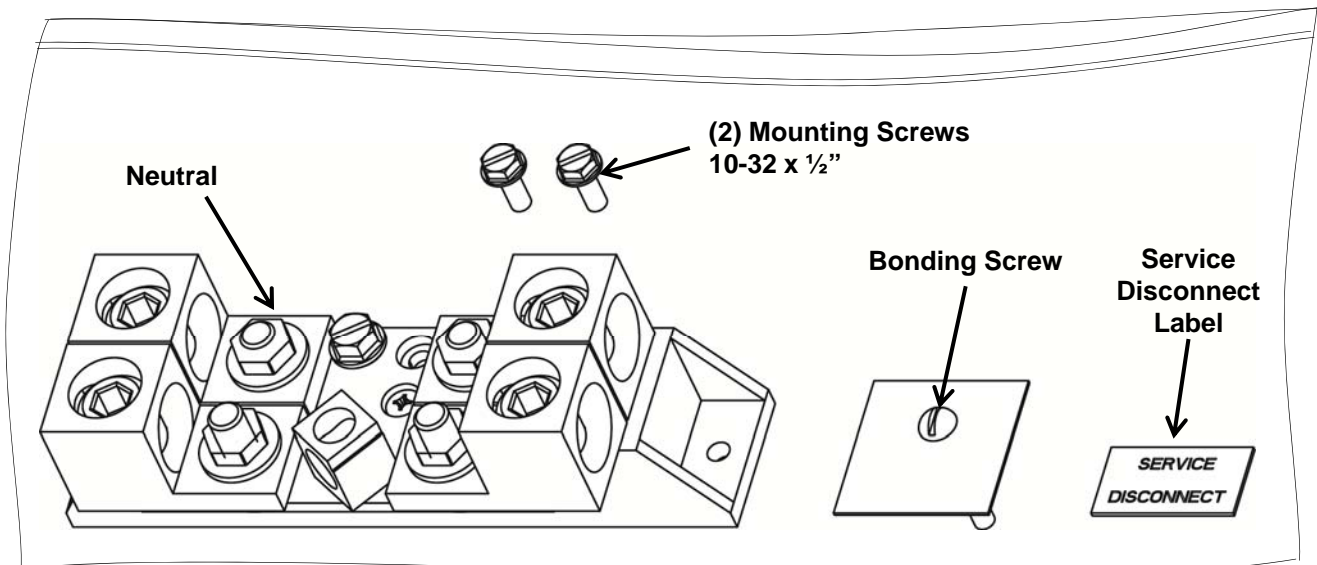
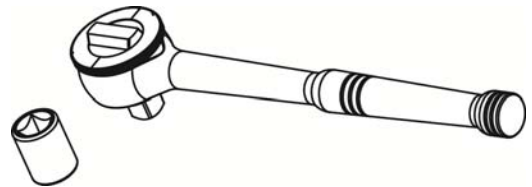
Use only with Siemens certified components.

NOTE - These instructions do not purport to cover all details or variations in equipment, or to provide for every possible contingency to be met in connection with installation, operation or maintenance. Should further information be desired or should particular problems arise, which are not covered sufficiently for the purchaser's purposes, the matter should be referred to the local Siemens sales office. The contents of this instruction manual shall not become part of or modify any prior or existing agreement, commitment or relationship. The sales contract contains the entire obligation of Siemens. The warranty contained in the contract between the parties is the sole warranty of Siemens. Any statements contained herein do not create new warranties or modify the existing warranty.

TRADEMARKS - Unless otherwise noted, all names identified by ® are registered trademarks of Siemens AG or Siemens Industry, Inc. The remaining trademarks in this publication may be trademarks whose use by third parties for their own purposes could violate the rights of the owner.

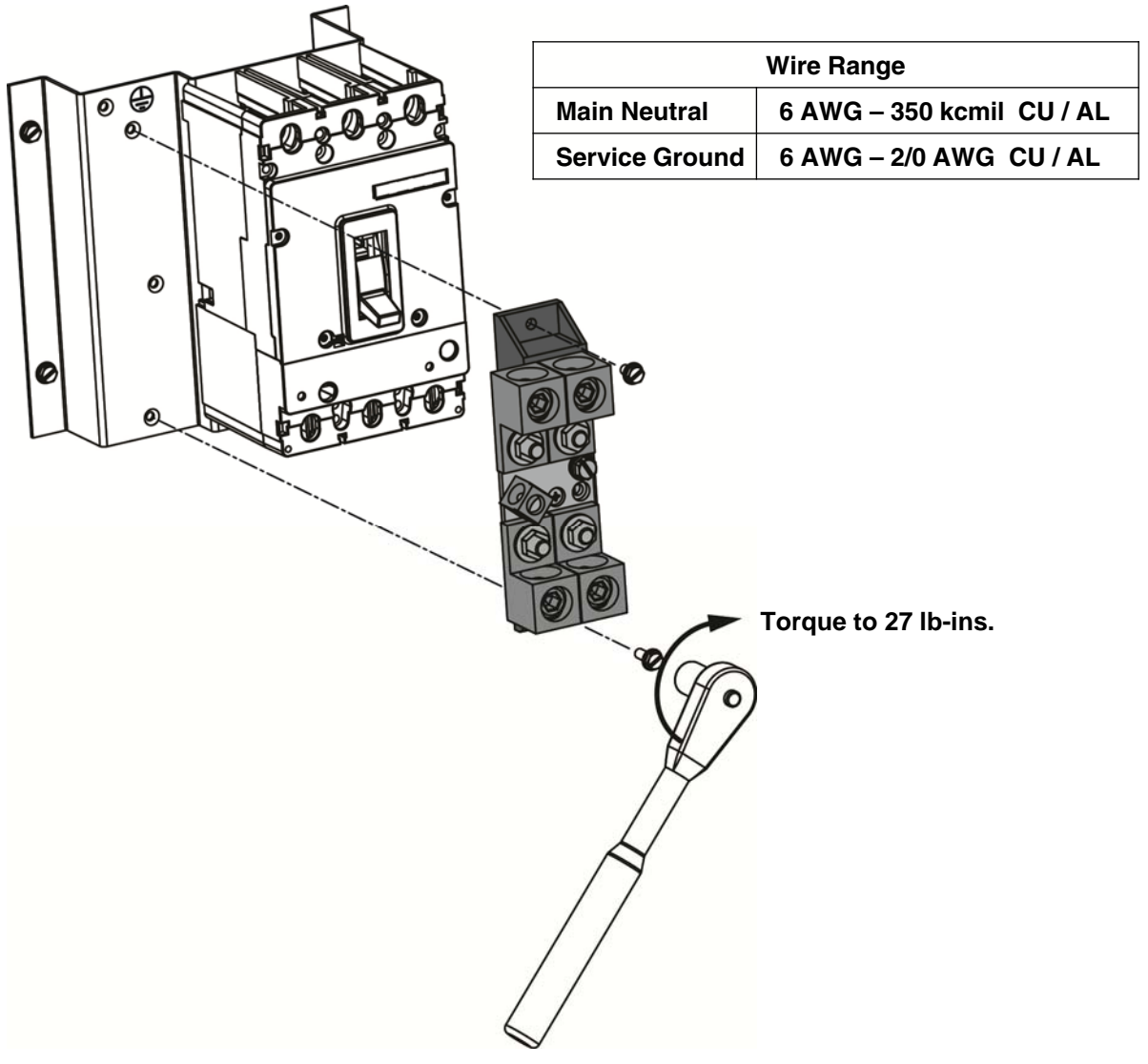
Recommended tools:

Torque wrench



	<p>⚠ Danger</p> <p>Hazardous Voltage. Will cause death or serious injury.</p>	<p>⚠ Peligro</p> <p>Tensión peligrosa. Puede causar la muerte o lesiones graves.</p>	<p>⚠ Danger</p> <p>Tension dangereuse. Danger de mort ou risque de blessures graves.</p>
	<p>Turn off and lock out all power supplying this device before working on this device. Replace all covers before power supplying this device is turned on.</p>	<p>Desenergice totalmente antes de instalar o darle servicio. Reemplace todas las barreras y cubiertas antes de energizar el interruptor.</p>	<p>Couper l'alimentation de l'appareil et barrer avant de travailler. Remplacez tous les couverts avant que l'approvisionnement de pouvoir soit alimenté.</p>

1. Prepare circuit breaker enclosure for neutral installation.
 - Turn OFF and lock out all power supplying this device before working on the device.
 - Turn OFF the circuit breaker.
2. Mount neutral as shown below.



Wire Range	
Main Neutral	6 AWG – 350 kcmil CU / AL
Service Ground	6 AWG – 2/0 AWG CU / AL

Torque to 27 lb-ins.

Bonding

When bonded neutral is required:

- Insert Neutral Bonding Screw into bonding location shown
- Torque Neutral Bonding Screw to 27 lb-ins
- Apply Service Disconnect Label to cover if applicable

Bonding Location