

REVISION	DATE	BY	DATE	BY
		DRAWN	07/02/09	GP
		CHEK'D		
		VERIF'D		

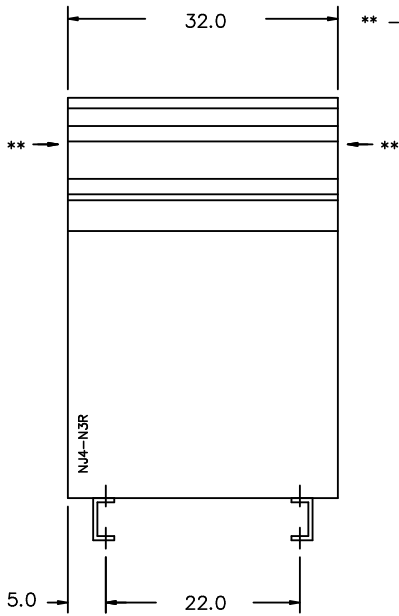
Confidential - Property of <b>Siemens Industry, Inc.</b> Building Technologies Division		
CUSTOMER		
ORDER NO.	DWG. NO.	
	1D1Y100FCTP1	SH 1 OF 2

SIEMENS

<p>CATALOG NO. 1D1Y100FCTP1</p> <p>SERIAL NO. SERIES H</p> <p>100 kVA 60 Hz 1 PHASE</p> <p>3.7 % IMP AT 135 °C</p> <p>115 °C RISE 30 °C AVG. AMBIENT</p> <p>220 °C TEMP CLASS 40 °C MAX. AMBIENT</p> <p>PRIMARY ( H1 H2 ) 240X480 V</p> <p>SECONDARY( X4 X2 X3 X1) 120/240 V</p> <p>WINDING MATERIAL CU</p> <p>ENCLOSURE TYPE NEMA-3R</p> <p>WEIGHT 1150 LBS</p> <p>SPACINGS BETWEEN ENCLOSURE AND ANY ADJACENT WALL SHALL BE A MINIMUM OF 6 INCHES</p> <p>MEETS TP-1-2002 EFFICIENCY</p> <p>SUITABLE FOR INDOOR OR OUTDOOR LOCATIONS DO NOT INSTALL IN AREAS ACCESSIBLE TO PUBLIC FOR INSTALLATION SEE INSTRUCTION MANUAL</p> <p>NEMA Class ANN Dry Type Transformer Siemens Industry, Inc. Norcross, GA</p>	<p>100 kVA</p> <p>60 Hz</p> <p>1 PHASE</p> <p>3.7 % IMP AT 135 °C</p> <p>115 °C RISE 30 °C AVG. AMBIENT</p> <p>220 °C TEMP CLASS 40 °C MAX. AMBIENT</p> <p>PRIMARY ( H1 H2 ) 240X480 V</p> <p>SECONDARY( X4 X2 X3 X1) 120/240 V</p> <p>WINDING MATERIAL CU</p> <p>ENCLOSURE TYPE NEMA-3R</p> <p>WEIGHT 1150 LBS</p> <p>SPACINGS BETWEEN ENCLOSURE AND ANY ADJACENT WALL SHALL BE A MINIMUM OF 6 INCHES</p> <p>MEETS TP-1-2002 EFFICIENCY</p> <p>SUITABLE FOR INDOOR OR OUTDOOR LOCATIONS DO NOT INSTALL IN AREAS ACCESSIBLE TO PUBLIC FOR INSTALLATION SEE INSTRUCTION MANUAL</p> <p>NEMA Class ANN Dry Type Transformer Siemens Industry, Inc. Norcross, GA</p>	<p>UL E112313 LR 3902</p> <p>SPR</p> <p>LISTED DISTRIBUTION TRANSFORMER 77US</p> <p>TYPE</p>																																												
<p>HAM1253</p>		<table border="1" style="width: 100%; border-collapse: collapse;"> <thead> <tr> <th>VOLTS</th> <th>CURRENT</th> <th>%RATED VOLTAGE</th> <th>CONNECTION EACH PHASE</th> </tr> </thead> <tbody> <tr> <td>504</td> <td>198</td> <td>105</td> <td>1-2</td> </tr> <tr> <td>492</td> <td>203</td> <td>102.5</td> <td>2-3</td> </tr> <tr> <td>480</td> <td>208</td> <td>100</td> <td>3-4</td> </tr> <tr> <td>468</td> <td>214</td> <td>97.5</td> <td>4-5</td> </tr> <tr> <td>456</td> <td>219</td> <td>95</td> <td>5-6</td> </tr> <tr> <td>444</td> <td>225</td> <td>92.5</td> <td>6-7</td> </tr> <tr> <td>432</td> <td>231</td> <td>90</td> <td>7-8</td> </tr> <tr> <td>240</td> <td>416</td> <td></td> <td>H1-4, H2-3</td> </tr> <tr> <td>228</td> <td>438</td> <td></td> <td>H1-6, H2-5</td> </tr> <tr> <td>216</td> <td>462</td> <td></td> <td>H1-8, H2-7</td> </tr> </tbody> </table>	VOLTS	CURRENT	%RATED VOLTAGE	CONNECTION EACH PHASE	504	198	105	1-2	492	203	102.5	2-3	480	208	100	3-4	468	214	97.5	4-5	456	219	95	5-6	444	225	92.5	6-7	432	231	90	7-8	240	416		H1-4, H2-3	228	438		H1-6, H2-5	216	462		H1-8, H2-7
VOLTS	CURRENT	%RATED VOLTAGE	CONNECTION EACH PHASE																																											
504	198	105	1-2																																											
492	203	102.5	2-3																																											
480	208	100	3-4																																											
468	214	97.5	4-5																																											
456	219	95	5-6																																											
444	225	92.5	6-7																																											
432	231	90	7-8																																											
240	416		H1-4, H2-3																																											
228	438		H1-6, H2-5																																											
216	462		H1-8, H2-7																																											

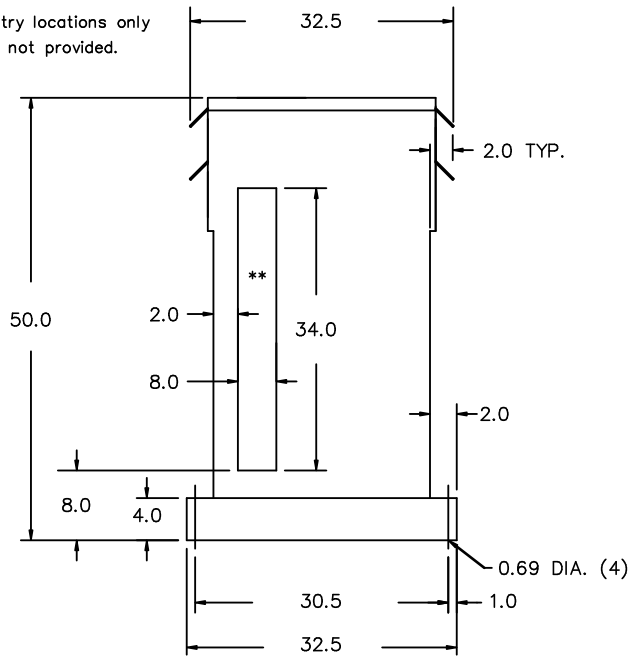


FRONT VIEW



\*\* - Recommended cable entry locations only  
cutouts & gland plates not provided.

SIDE VIEW



All Dimensions in inches

ENCLOSURE COLOR : ANSI 61 GREY - OUTDOOR

CUSTOMER NOTES:

- HV1 TERMINATED AT TOP FRONT
- LV1 TERMINATED AT TOP REAR
- FOR CONSTRUCTION DETAILS, SEE DRAWING B1D1Y100FCTP1

Confidential - Property of  
**Siemens Industry, Inc.**  
Building Technologies Division

REVISION	DATE	BY	DATE	BY
		DRAWN	07/02/09	GP
		CHEK'D		
		VERIF'D		

CUSTOMER	
ORDER NO.	DWG. NO. 1D1Y100FCTP1
SH 2 OF 2	

0.5 jwen 2010/01/21 13:28