

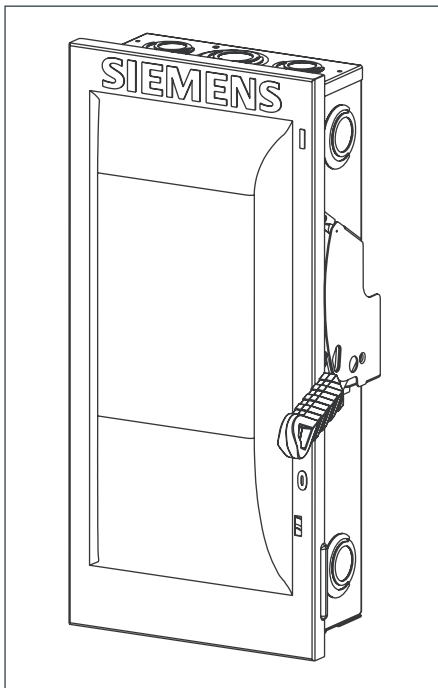
# SIEMENS

Data Sheet

## VBI Heavy Duty Safety Switch

100A, 240V – 600V, Type 1

[usa.siemens.com/switches](http://usa.siemens.com/switches)



### Standards and Ratings

- UL Listed under file #E4776
- Meets UL98 for switches and UL 50 for enclosures
- Meets NEMA Standard KS-1 for enclosed switches
- Meets NEC wire bending space requirements
- Rated 10,000 AIC with Class H fuses or 200,000 AIC with Class R, T and J fuses
- Rated 100,000 AIC at 600Vdc with Class R or J fuses
- I<sup>2</sup>t rated (Amps<sup>2</sup> x Seconds = 500,000)
- 12X overload current rating exceeds 10X industry standard
- Suitable for use as service entrance equipment
- Includes internal shields which meet 2020 NEC 230.62 line side barrier requirements

### Features

- Quick-make and break switching action
- Double break visible blade design
- Highly visible ON/OFF indication
- Rugged installer friendly enclosure design
- Modular design allows quick and easy replacement of parts
- Front removable lugs which can easily be converted to copper body or compression type lugs
- Defeatable dual cover interlock

# Product Specifications

## Heavy Duty 100A, 240 - 600V Type 1

### General Information

Catalog Number	Volts	Description	Shipping Weight (lbs.)
HF223N <sup>1</sup>	240	2 Pole, 3 Wire Fusible	23
HF323N	240	3 Pole, 4 Wire, Fusible	25
HF263	600	2 Pole, 2 Wire Fusible	26
HF363	600	3 Pole, 3 Wire, Fusible	24
HF363N	600	3 Pole, 4 Wire, Fusible	25
HNF263	600	2 Pole, 2 Wire, Non-Fusible	25
HNF363	600	3 Pole, 3 Wire, Non-Fusible	23

### Horsepower Ratings <sup>2,3</sup> – 240 Volts

Catalog Number	1 Phase, 240V AC		3 Phase, 240V AC		250V DC
	Std	Max	Std	Max	
HF223N	7 1/2	15	15	30	20
HF323N	7 1/2	15	15	30	20

### Horsepower Ratings <sup>2,3,4</sup> – 600 Volts

Catalog Number	3 Phase, 480V AC		3 Phase, 600V AC		600V DC
	Std	Max	Std	Max	
HF623	—	— <sup>5</sup>	—	— <sup>5</sup>	50
HF363	25	60	30	75	25
HF363N	25	60	30	75	25
HNF263	—	— <sup>5</sup>	—	— <sup>5</sup>	50
HNF363 <sup>6</sup>	—	75	—	100	25

### Mechanical Lug Wire Range (60/75°C, Cu/Al)

Description	Wire Range
Line, Load Neutral	#12-1/0 (Al) AWG or #14-1/0 (Cu) AWG
Ground	#14-4 AWG

### Compression Lugs <sup>8</sup>

Wire Size	Burndy		Thomas-Betts		IlSCO	
	CU Only	CU/AL	CU Only	CU/AL	CU Only	CU/AL
#6	YA6C-L BOX YA6C	YA6CA1	54105 54905BE	60107 61107	CRB-6 CRB-6L	ACL-6
#4	YA4C-L BOX YA4C	YA4CA1	54106 54906BE	61112 60112	CRB-4 CRB-2L	ACL-4
#2	YA2C-L2 BOX YA2C	YA2CA5	54107	61116	CRB-2 CRB-2L	ACL-2
#1	YA1C-L2 YA1C	—	54108 54947BE	61122	CRB-1-14 CRA-1L	—
1/0	—	—	—	61130	—	—

1 These switches are UL Listed for application on grounded B phase systems.

2 Dual horsepower ratings: Std - applies when non-time delay fuses are installed.  
Max - applies when time-delay fuses are installed.

3 Horsepower ratings listed also apply to Design E motors with no derating.

4 Also rated 20HP at 250V DC.

5 Also rated 30HP at 480V and 40HP at 600V, 1 phase.

6 Also rated 40HP on 3 phase, 240V AC systems.

7 Place "DOOR" at the end of the switch catalog number.

8 If compression lugs are used for the neutral, order compression lug neutral barrier kit HCL623.

### Accessories

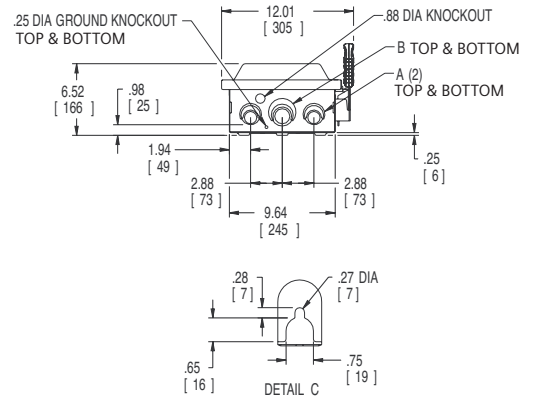
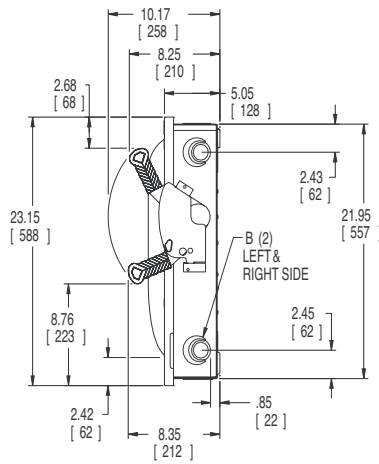
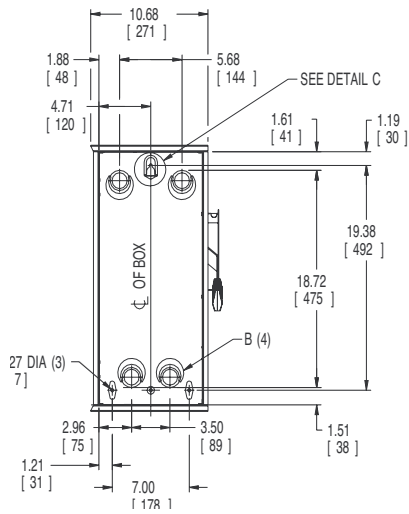
Catalog Number	Description
HA161234	One Normally Open and Closed Auxiliary Switches
HA261234	Two Normally Open and Closed Auxiliary Switches
HA361234	Low Voltage Auxiliary Switch
HG61234	Equipment Ground Lug Kit
HG261234	Isolated Equipment Ground Lug Kit
HP63	Fuse Puller (3 per kit) (HF223N, HF323N, HF263, HF363, HF363N)
HN623	Neutral Kit
HR63	Class R Fuse Clip Kit (3 fuse clips per kit) (HF223N, HF323N, HF263, HF363, HF363N)
HT23	240 Volt Class T Fuse Clip Kit (1-Pole per kit) (HF223N, HF323N)
HT63	600 Volt Class T Fuse Clip Kit (1-Pole per kit) (HF263, HF363, HF363N)
HLC63	Copper Lug Kit (9 lugs per kit)
HCL623	Compression Lug Neutral Barrier Kit

### Replacement Parts

Catalog Number	Description
HF63	Fusible Line Side Replacement Base (HF223N, HF323N, HF263, HF363, HF363N)
HBB63	Fusible Load Side Replacement Base (HF223N, HF323N, HF263, HF363, HF363N)
HNB623	Non-Fusible Replacement Base (HNF263, HNF363)
HH6123	Replacement Handle/Handle Guard
HL63	Replacement Lugs (3 lugs per kit)
HM6123	Replacement Mechanism
7	Replacement Door

# Dimension Drawings

## Heavy Duty 100A, 240 - 600V Type 1



No knockouts in enclosures.  
 Dimensions shown in inches and millimeters ( ).  
 Dimension shown accurate to  $\pm \frac{1}{16}$  inch.

KNOCKOUT CODE	CONDUIT SIZE			
A (Tangential)	.75	1.00	1.25	1.50
B (Tangential)	1.00	1.25	1.50	2.00

	LINE SIDE WIRE BEND	LOAD SIDE WIRE BEND
240V fused	6.07 (154)	8.10 (205)
600V fused	6.07 (154)	6.10 (155)
Non-Fused	6.07 (154)	11.46 (291)

Enclosure: Cold Rolled Steel  
 .054 Thick (17 Gauge)  
 Finish: ANSI Grey #61 Paint

Published by  
**Siemens Industry, Inc. 2021.**

Siemens Industry, Inc.  
 3617 Parkway Ln  
 Peachtree Corners, GA 30092

For more information, please contact  
 our Customer Support Center.  
 Phone: 1-800-241-4453  
 E-mail: [info.us@siemens.com](mailto:info.us@siemens.com)

[usa.siemens.com/switches](http://usa.siemens.com/switches)

Order No.: SSDS-HF1N1-0521  
 Printed in U.S.A.  
 © 2021 Siemens Industry, Inc.

The technical data presented in this document is based on an actual case or on as-designed parameters, and therefore should not be relied upon for any specific application and does not constitute a performance guarantee for any projects. Actual results are dependent on variable conditions. Accordingly, Siemens does not make representations, warranties, or assurances as to the accuracy, currency or completeness of the content contained herein. If requested, we will provide specific technical data or specifications with respect to any customer's particular applications. Our company is constantly involved in engineering and development. For that reason, we reserve the right to modify, at any time, the technology and product specifications contained herein.