

## Installation Instructions



**⚠ DANGER**  
**Hazardous voltage. Will cause death or serious injury.**  
 Turn OFF and lock out all power supplying this device before installing or servicing accessory.

**⚠ SAFETY INSTRUCTIONS**

NOTE: This instruction outlines the recommended installation procedure.

### 1. Circuit Breaker Preparation

The circuit breaker should be in the OFF/"O" position before installing the plug-in-tulip adapter kit. Turn off and lock out all power supplying this device before installing. Verify that *NO* voltage is present before proceeding with task.

- Loosen four breaker terminal shields screws (6) and remove both line and load side terminal shields (7).
- Place terminal stabs (8) on back of breaker in recess provided in base molding. Secure in place with 5/16-18 hex head bolts (11) furnished. Tighten these bolts to 96 In.-Lbs. (8 Ft.-Lbs.) [10.84 N/m] to assure a good electrical connection. Repeat this procedure for the remaining tulip clip assemblies.
- INSERT END SHIELDS (12) INTO SLOTS PROVIDED AT LINE AND LOAD END OF BREAKER.**
- Affix label (13) to front of circuit breaker as shown in Fig. 4.

Dimensions	
Inches	[Millimeters]

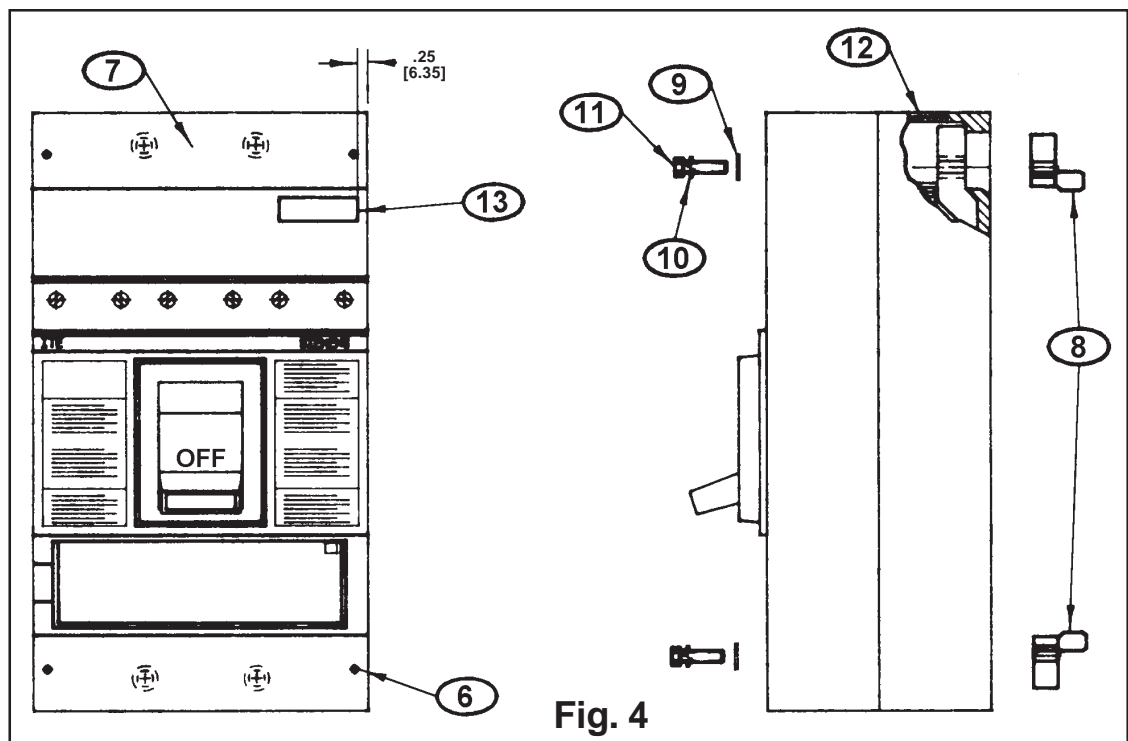


Fig. 4



# Installation Instructions

